

# Landscape Lighting Catalog 2015



**Dauer**™  
**Lampen**

*Fixtures & Accessories*





Dauer is a U.S.-based manufacturer of highly efficient and durable LED lamps, fixtures and electronics. Founded in 2002, Dauer Manufacturing has earned a reputation for innovation and quality, a reputation that is backed by a lifetime warranty for its lighting fixtures, a five-year warranty for its Dauer LED lamps, and a lifetime warranty for its professional-grade stainless steel transformers.

Dauer's LED lighting systems are prized for their elegant designs and beautiful, yet extraordinarily efficient light output. Dauer LED lamps are proven to work reliably in enclosed outdoor fixtures. Because Dauer's solutions are more technologically advanced and crafted to the most demanding standards, they are especially suited to environmental conditions that ordinary lighting products might not endure.

Enjoy a lifetime of energy-saving light from Dauer!

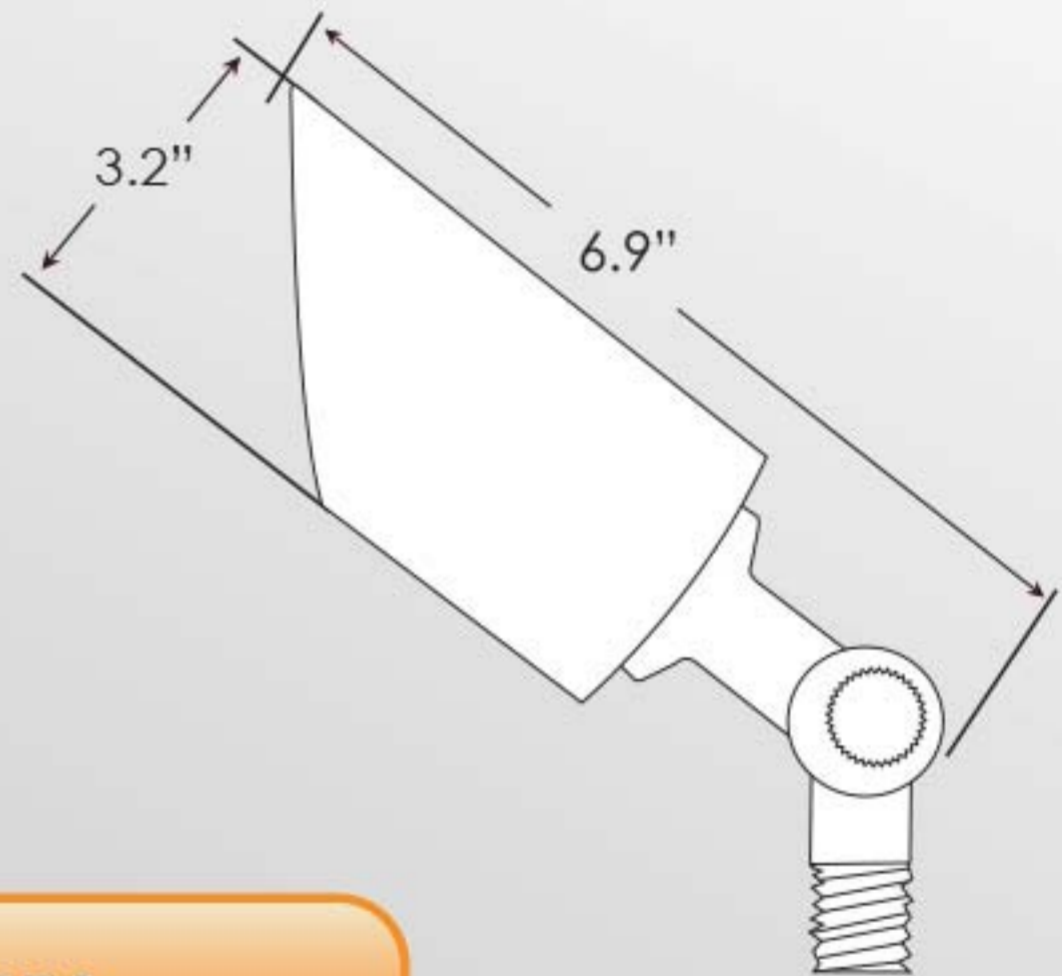
**Dauer**<sup>™</sup>  
Lampen

# CADET

490049 - LED MR16 Uplight



Construction: Spun Brass  
Finish: Weathered Brass  
Weight: 1.7 Lbs  
Voltage: 12 Volt  
Shroud: Brass with Double O-Rings  
Socket: Fixed  
Wattage: Maximum 35 Watts  
Wire: 5' Lead (18/2) Factory Installed  
Lens: Clear Tempered Convex Lens  
Heavy Duty Composite Stake Included. Other mounting options available. Please refer to accessories section.



## Lamp Options

### LED Option:

2W, 4W, 5W, 7W, 8W LED MR16



Uplights

# ASTOR

490007 - LED MR16 Uplight



Construction: Cast Brass

Finish: Weathered Brass

Weight: 3.35 Lbs

Voltage: 12 Volt

Shroud: Lock & Load with Double O-Rings

Wattage: Maximum 35 Watts

Socket: Fixed

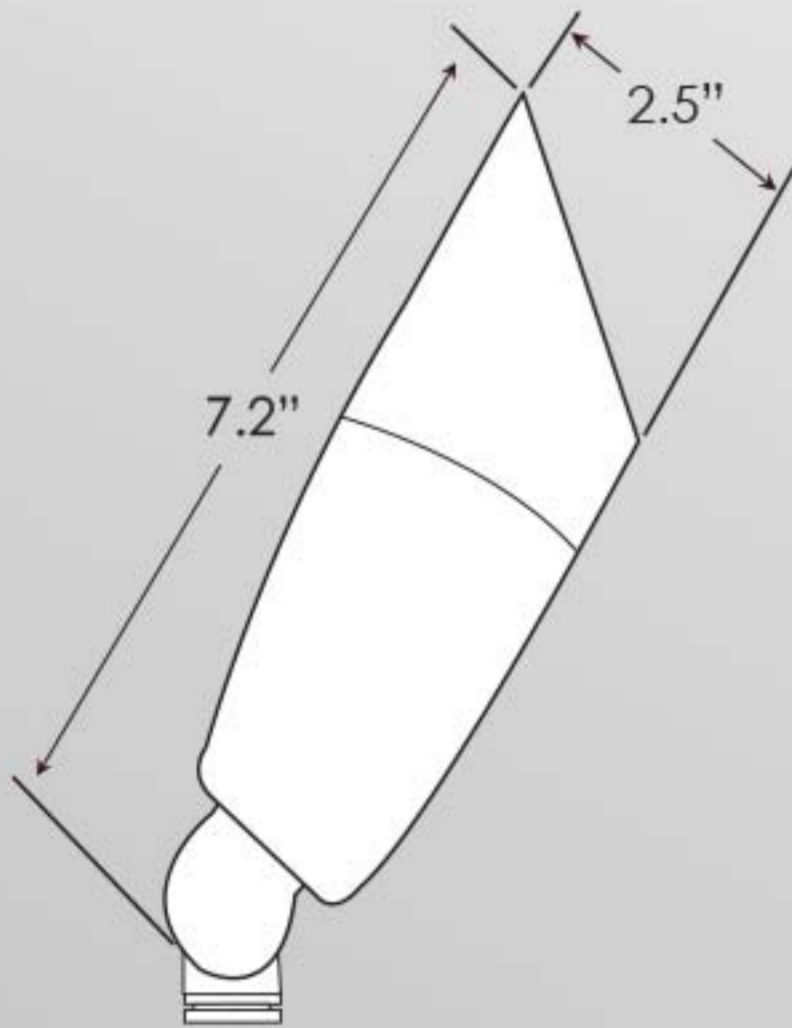
Wire: 5' Lead (18/2) Factory Installed

Lens: Clear Tempered Convex Lens

Heavy Duty Composite Stake Included. Other mounting options available. Please refer to accessories section.



Uplights



## Lamp Options

### LED Option:

2W, 4W, 5W, 7W, 8W LED MR16

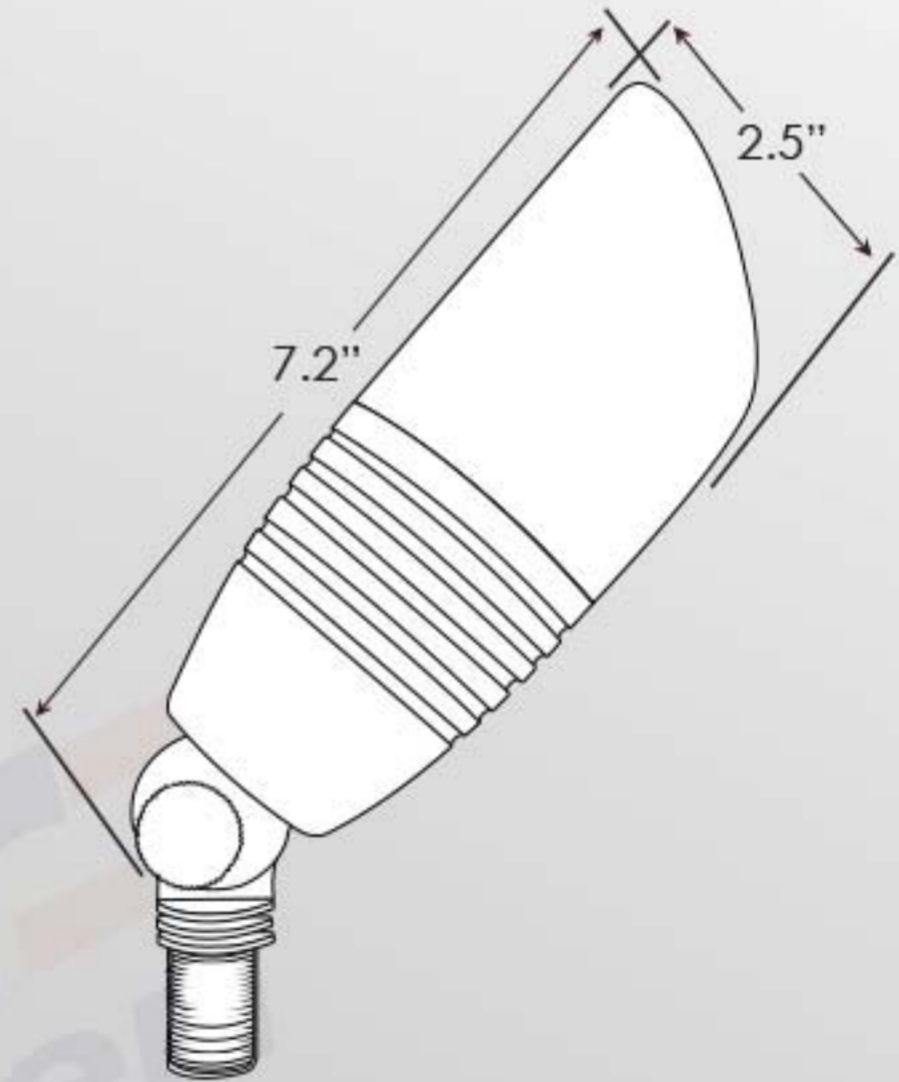


# ICON

490001 - LED MR16 Uplight



- Construction: Cast Brass
- Finish: Weathered Brass
- Weight: 2.35 Lbs
- Voltage: 12 Volt
- Shroud: Lock & Load with Double O-Rings
- Socket: Fixed
- Wire: 5' Lead (18/2) Factory Installed
- Lens: Clear Tempered Convex Lens
- Heavy Duty Composite Stake Included. Other mounting options available. Please refer to accessories section.



## Lamp Options

### LED Option:

2W, 4W, 5W, 7W, 8W LED MR16



Uplights

# EPIC

## 490015 - LED AR111 Uplight

Construction: Cast Brass

Finish: Weathered Brass

Weight: 3.4 lbs

Voltage: 12 Volt

Wire: 5' Lead (18/2) Factory Installed

Shroud: Lock & Load with O-Ring

Socket: Fixed

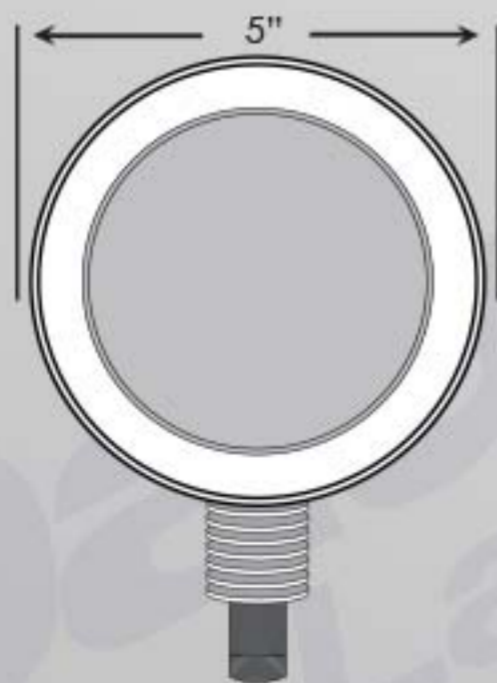
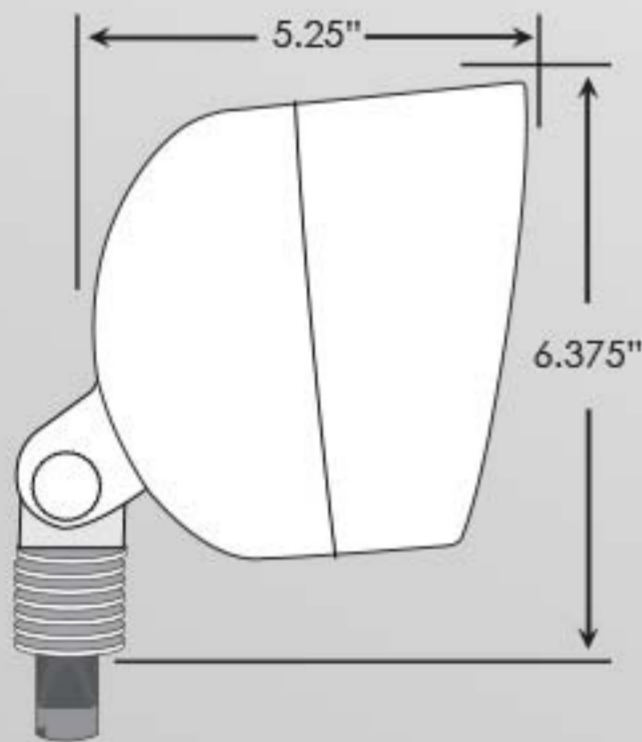
Wattage: Maximum 36 Watts

Lens: Clear Tempered Lens

Heavy Duty Composite Stake Included. Other mounting options available. Please refer to accessories section.



Uplights



### Lamp Options

#### LED Option:

12W AR111 or 6W, 7W IP65 Rated

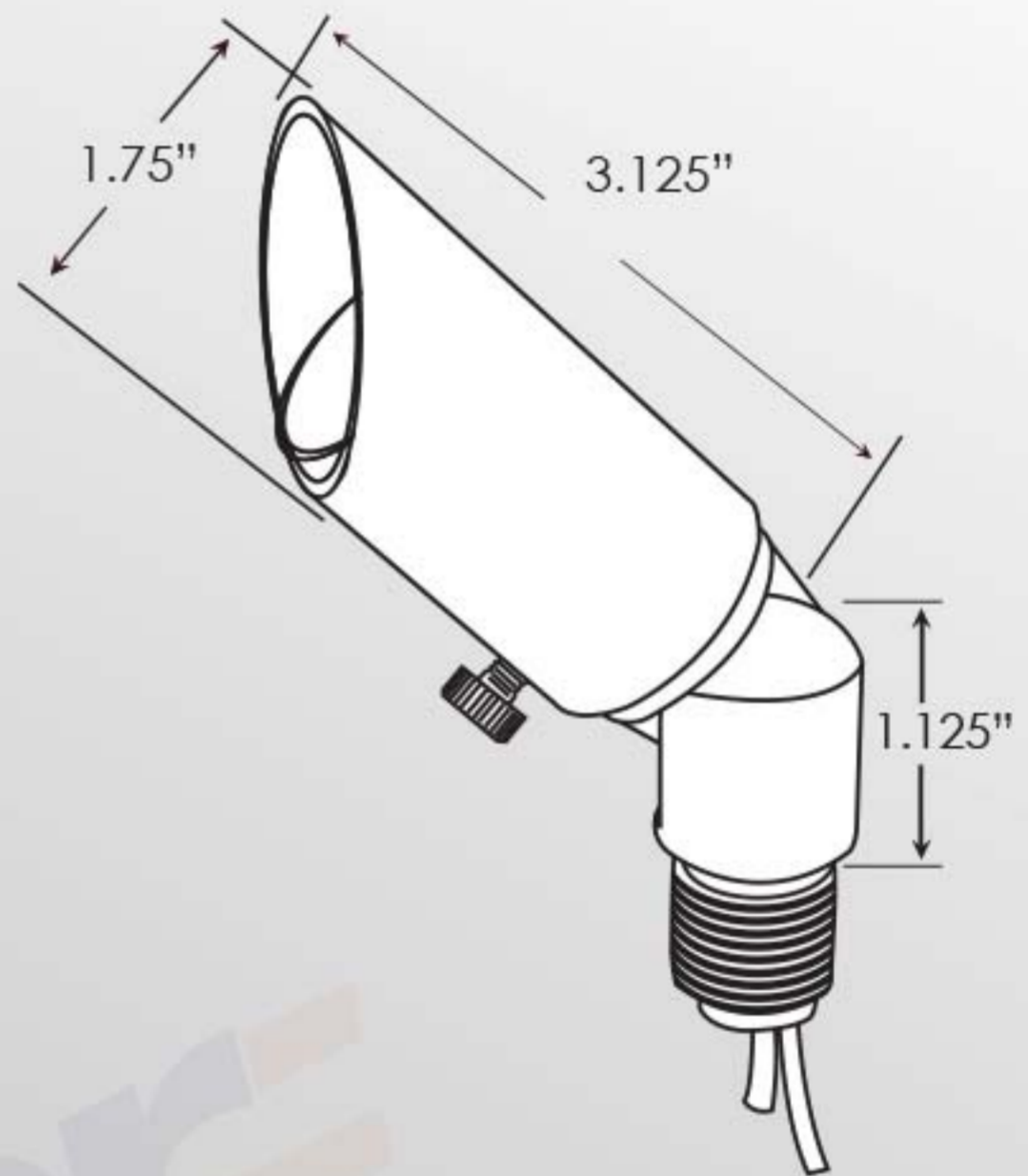


# RONEY

489990 - LED MR8 Uplight



- Construction: Cast Brass
- Finish: Weathered Brass
- Weight: 0.8 lbs
- Voltage: 12 Volt
- Wire: 5 foot Lead (18/2) Factory Installed
- Shroud: Adjustable with Tension Screw
- Socket: Fixed
- Lens: Clear Tempered Lens
- Heavy Duty Composite Stake Included. Other mounting options available. Please refer to accessories section.



## Lamp Options

**LED Option:**  
2.5W LED MR8



Uplights

# ZEN

## LED Bi-Pin Pathlight

- 490020 - Clear Lens (Hat only)
- 490021 - Frosted Lens (Hat only)

### Stem Option:

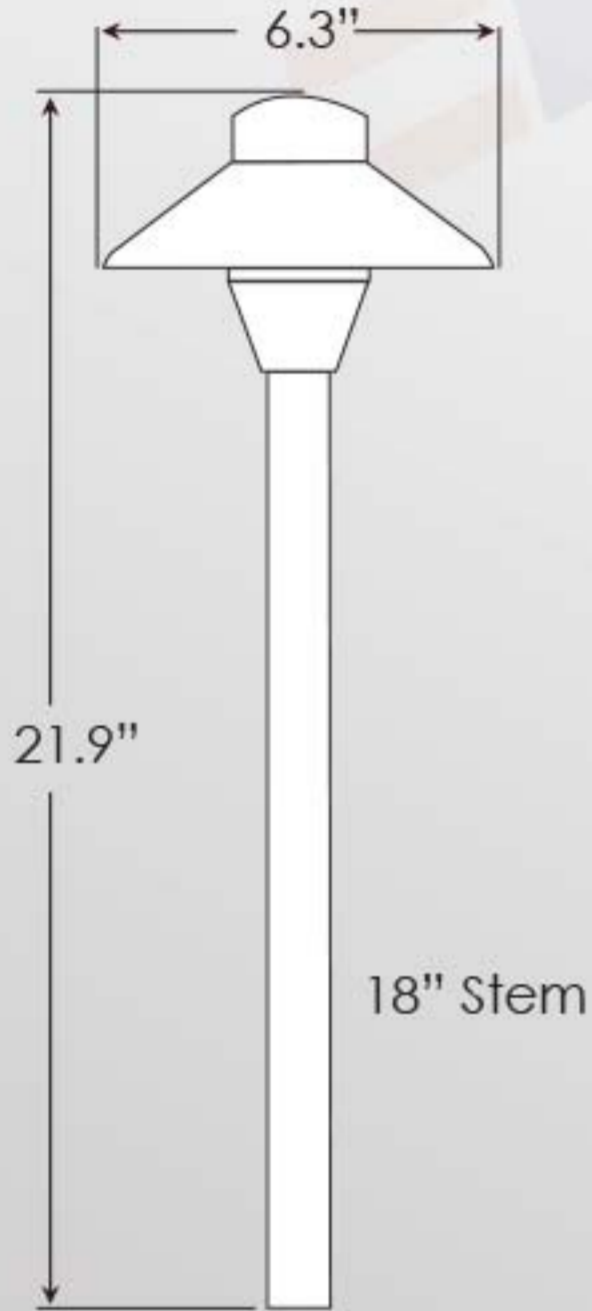
- 490025 - 10" Stem 5' Lead
  - 490026 - 18" Stem 5' Lead
  - 490027 - 60" Stem 5' Lead
- Hat & Stem sold separately**

Part# 490020



Part# 490026

18" Stem



Construction: Hat & Stem Cast Brass

Finish: Weathered Brass

Voltage: 12 Volt

Socket: Fixed

Wattage: Maximum 35 Watts

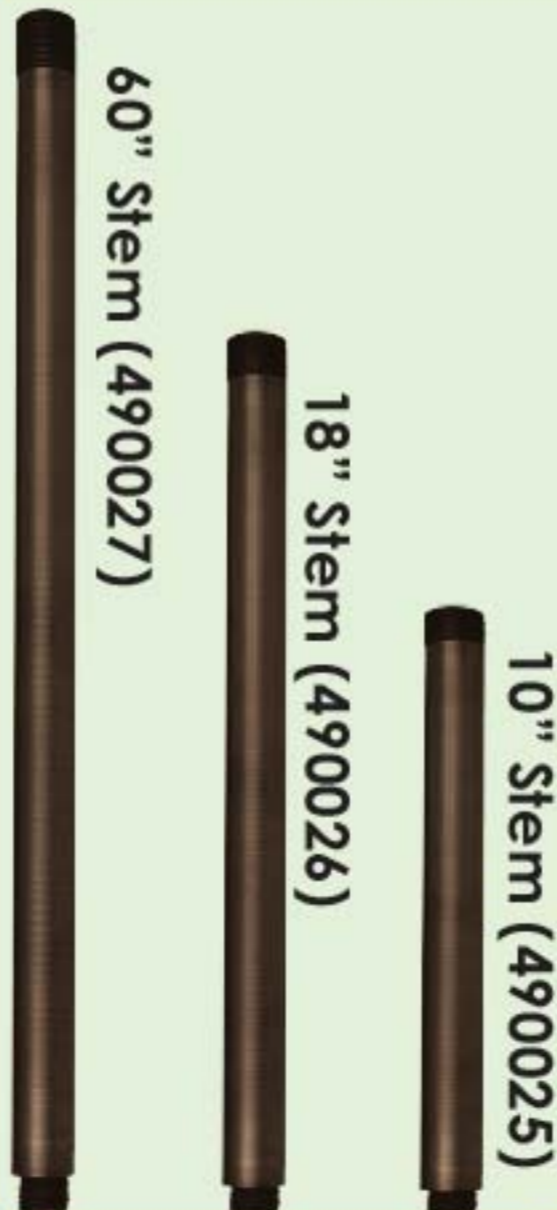
Heavy Duty Composite Stake Included.

Other mounting options available.

Please refer to accessories section.



### Stem Options



### Lamp Options

#### LED Option:

2.2W, 3.3W, 4W or 5W LED Bi-Pin





# MANDARIN

## LED Bi-Pin Path Light

490024 - Clear Lens (Hat only)

### Stem Option:

490025 - 10" Stem 5' Lead

490026 - 18" Stem 5' Lead

490027 - 60" Stem 5' Lead

*Hat & Stem sold separately*

Construction: Hat & Stem Cast Brass

Finish: Weathered Brass

Voltage: 12 Volt

Socket: Fixed

Wattage: Maximum 35 Watts

Heavy Duty Composite Stake Included with stem. Other mounting options available. Please refer to accessories section.

Part# 490024

Part# 490026

18" Stem



### Lamp Options

#### LED Option:

2.2W, 3.3W, 4W or 5W LED Bi-Pin

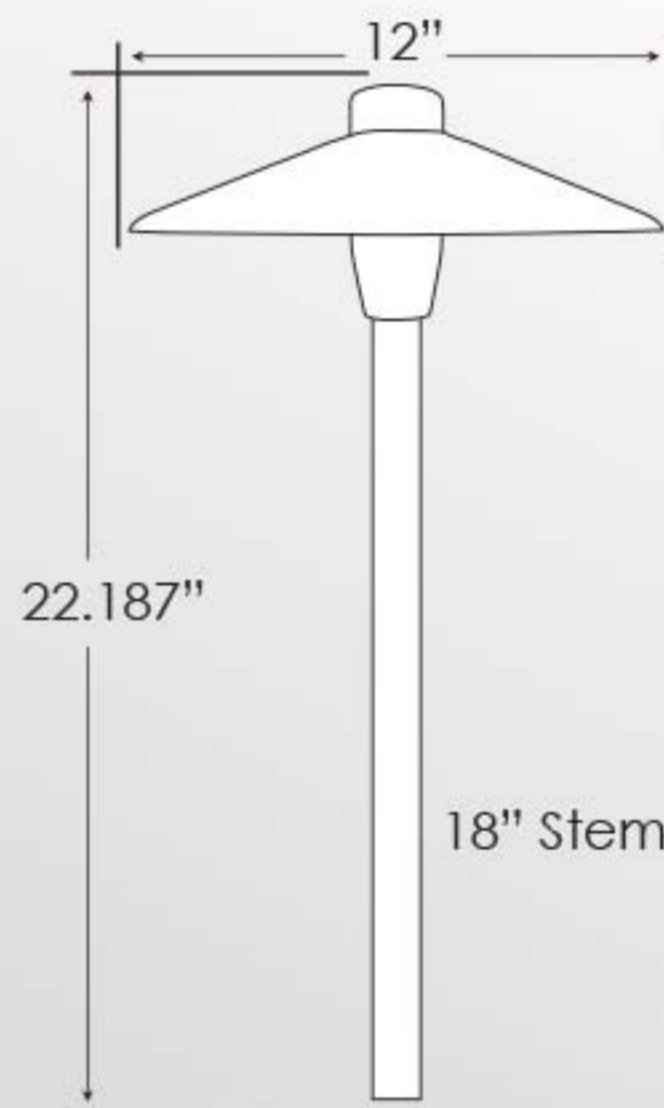


### Stem Options

60" Stem (490027)

18" Stem (490026)

10" Stem (490025)



Path Lights

# KONA-TIKI

490022 - LED Bi-Pin Pathlight (Hat only)

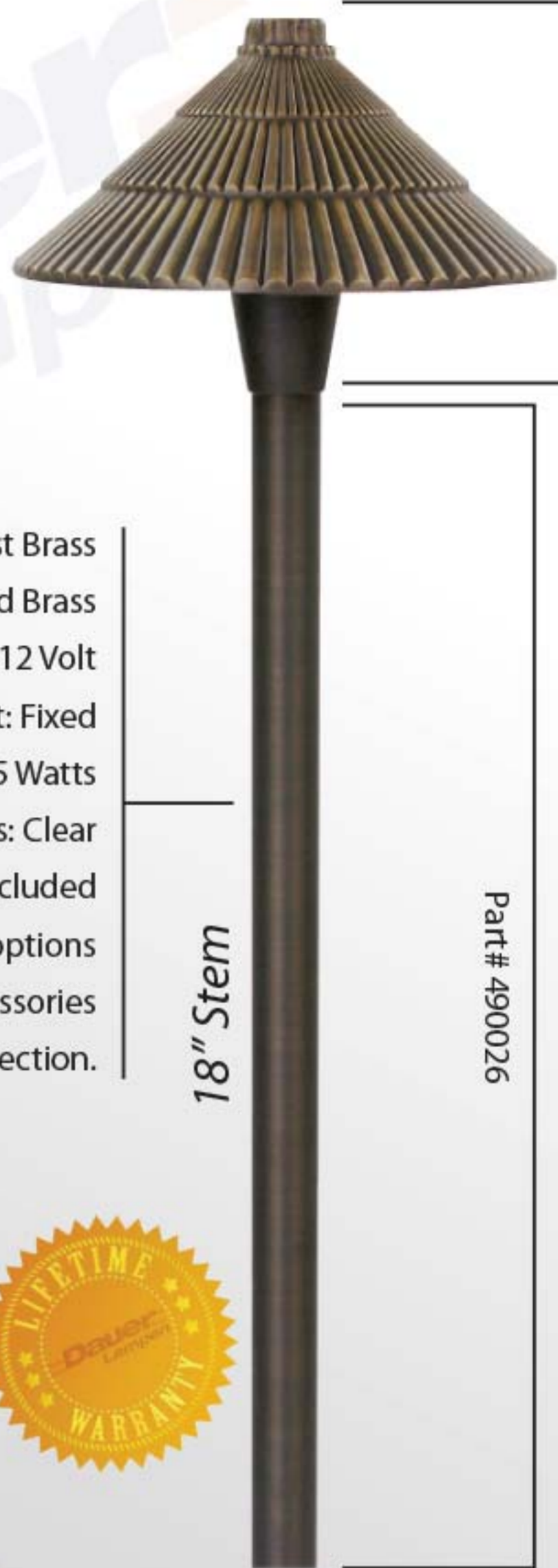
## Stem Option:

490025 - 10" Stem 5' Lead

490026 - 18" Stem 5' Lead

490027 - 60" Stem 5' Lead

*Hat & Stem sold separately*



Part# 490022

Part# 490026

18" Stem

Construction: Hat & Stem Cast Brass

Finish: Weathered Brass

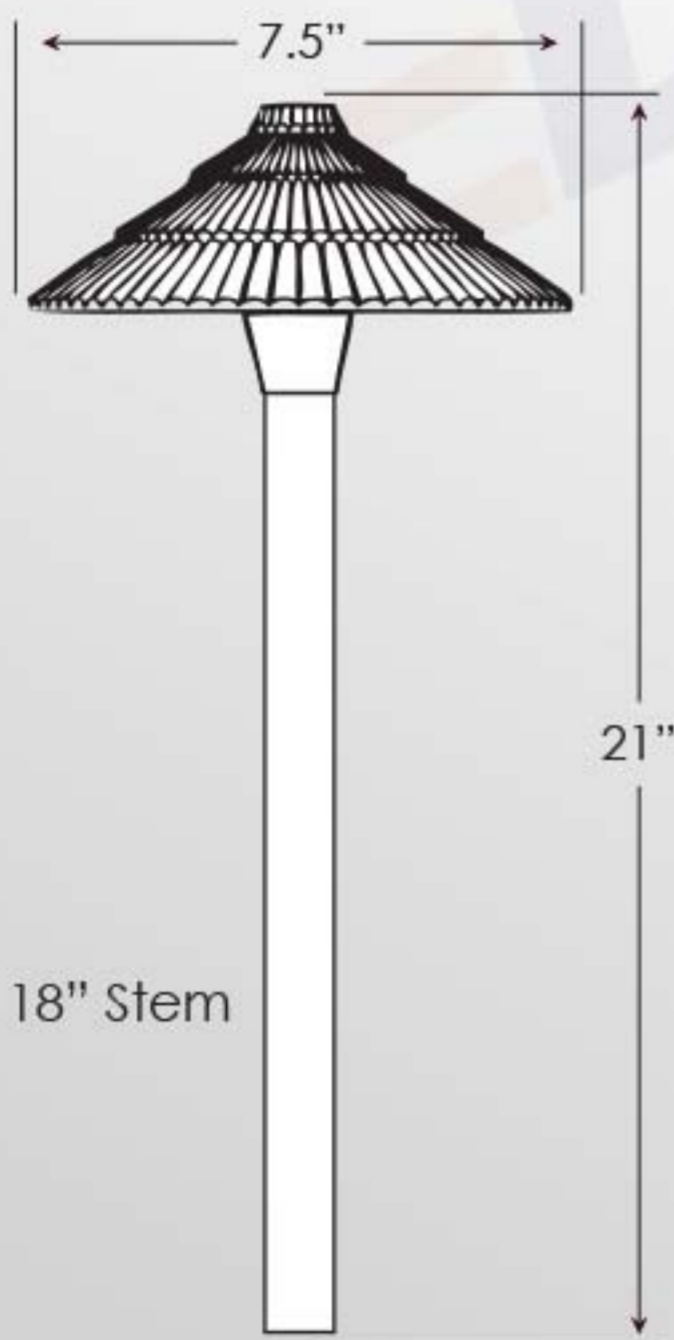
Voltage: 12 Volt

Socket: Fixed

Wattage: Maximum 35 Watts

Lens: Clear

Heavy Duty Composite Stake Included with stem. Other mounting options available. Please refer to accessories section.



## Stem Options

60" Stem (490027)

18" Stem (490026)

10" Stem (490025)



## Lamp Options

LED Option:

2.2W, 3.3W, 4W or 5W LED Bi-Pin



Path Lights

# TORTUGA

490028 - LED Bi-Pin & Citronella Torch (Hat only)

## Stem Option:

490025 - 10" Stem 5' Lead

490026 - 18" Stem 5' Lead

490027 - 60" Stem 5' Lead

*Hat & Stem sold separately*

Construction: Hat & Stem Cast Brass

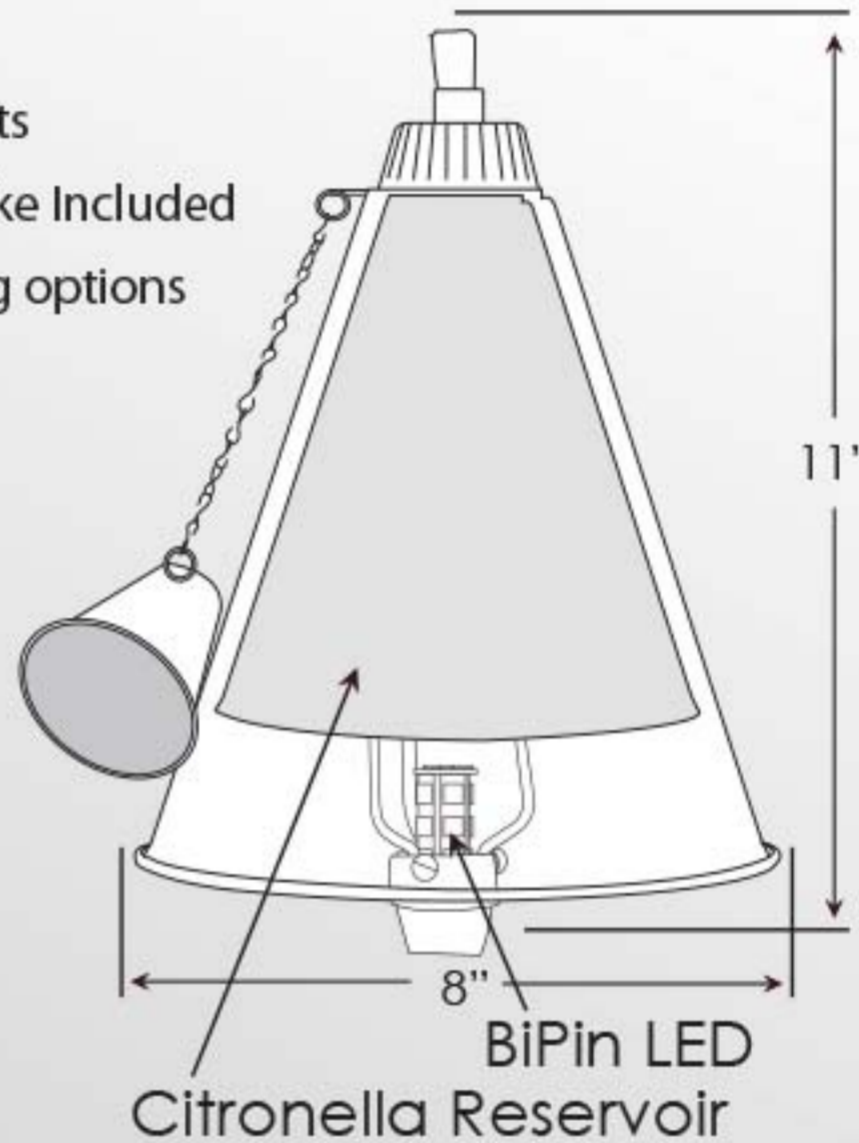
Finish: Weathered Brass

Voltage: 12 Volt

Socket: Fixed

Wattage: Maximum 35 Watts

Heavy Duty Composite Stake Included with stem. Other mounting options available. Please refer to accessories section.



Part# 490028

Part# 490027

Stem Options

Three vertical black stems of different lengths are shown. The longest is on the left, the middle one is shorter, and the shortest is on the right.

60" Stem (490027)

18" Stem (490026)

10" Stem (490025)

Lamp Options

**LED Option:**  
2.2W, 3.3W, 4W or 5W LED Bi-Pin

Three different sizes of LED Bi-Pin lamps are shown, each with two pins at the bottom and a cylindrical body with yellow LEDs.

# CREATE-A-SCAPE

Design Your Own Fixture

Mix And Match With Any Of The Components Below



Custom Fixtures

**Riser Options**

- 490033 24"
- 490051 4.75" x 2.563"
- 490032 12"
- 490050 3.17" x 2.6"
- 490031 6"
- 490039 3"
- 490038 2"

**Stem Options**

- 60" Stem (490027)
- 18" Stem (490026)
- 10" Stem (490025)

**Mounting Options**

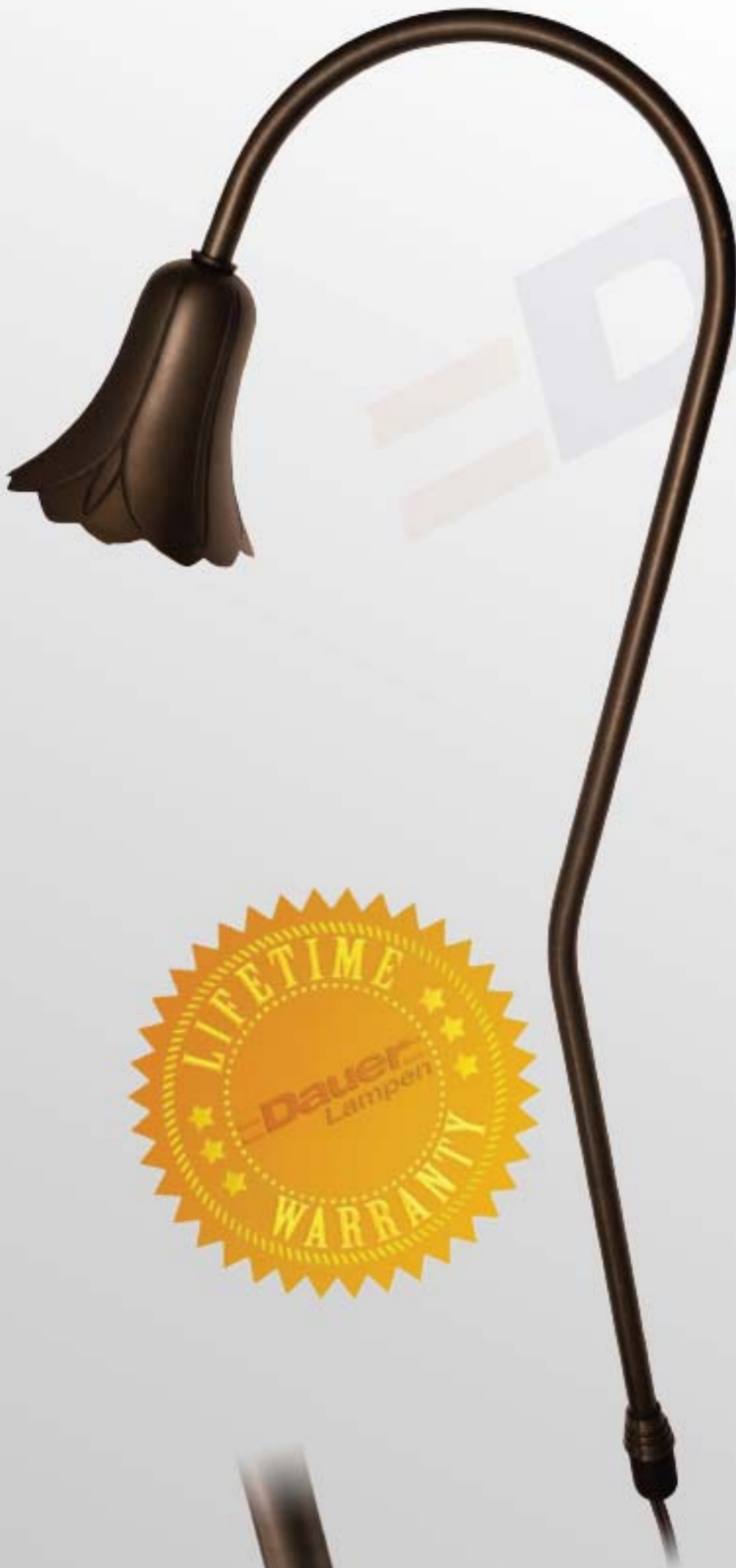
- 490045
- 490030
- 490048
- 490029

**Head Options**

- 490015
- 489990
- 490001
- 490007
- 490053
- 490010
- 490009

# BETSY

## 490023 - LED Bi-Pin Path Light



Construction: Hat & Stem Cast Brass

Finish: Weathered Brass

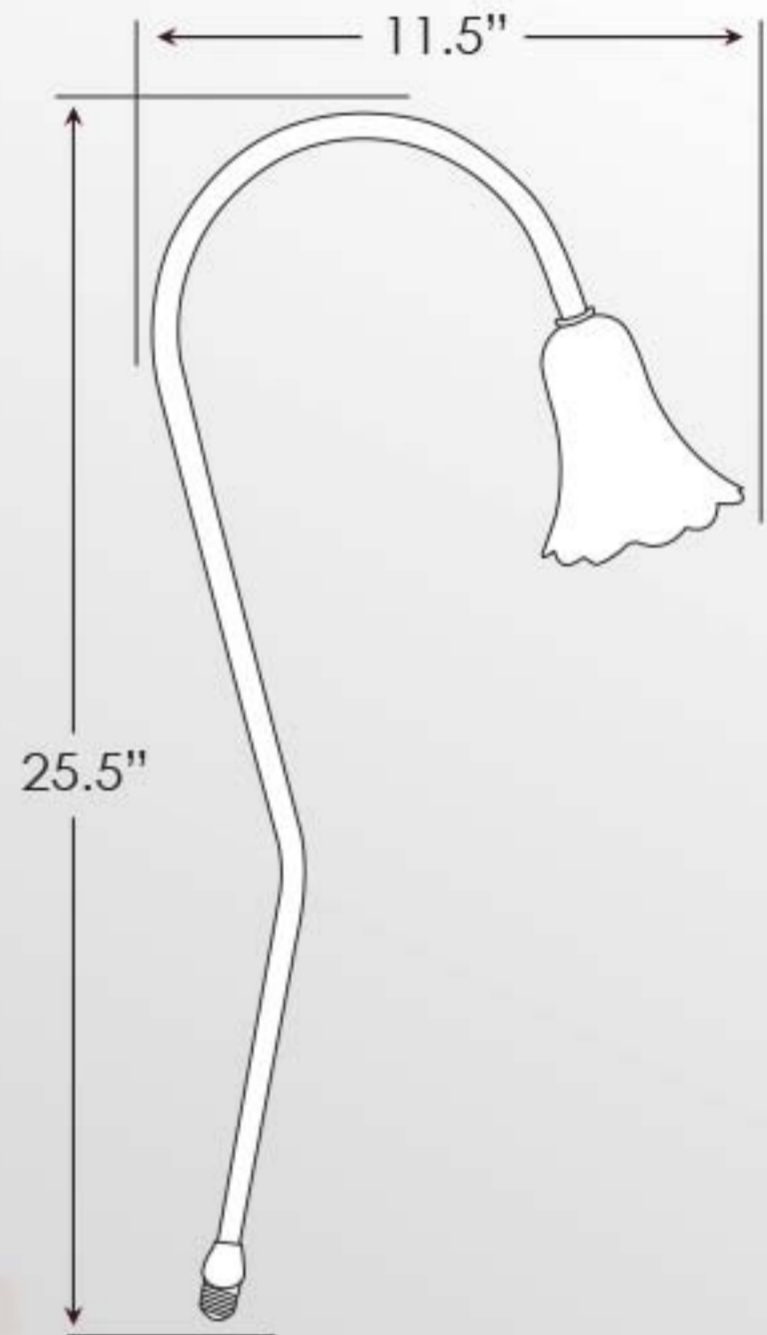
Voltage: 12 Volt

Socket: Fixed

Wire: 5' Lead (18/2) Factory Installed

Lens: Clear

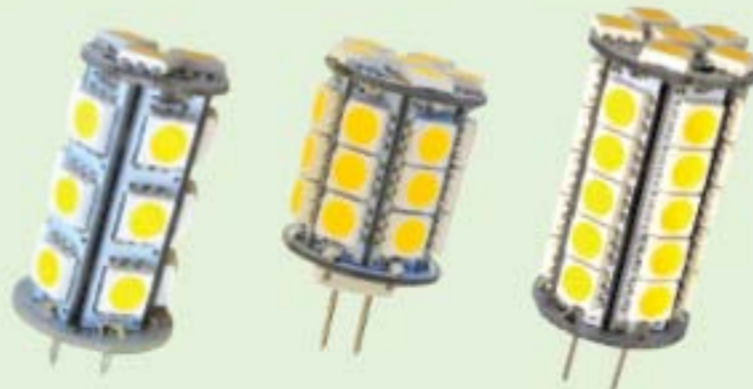
Heavy Duty Composite Stake Included with stem. Other mounting options available. Please refer to accessories section.



### Lamp Options

#### LED Option:

2.2W, 3.3W, 4W or 5W LED Bi-Pin



Path Lights

# METROPOLITAN

490009 - LED Bi-Pin Wall Wash

Construction: Cast Brass

Finish: Weathered Brass

Weight: 2.35 Lbs

Voltage: 12 Volt

Shroud: Angled with Gasketed Lens

Socket: Fixed

Wattage: Maximum 35 Watts

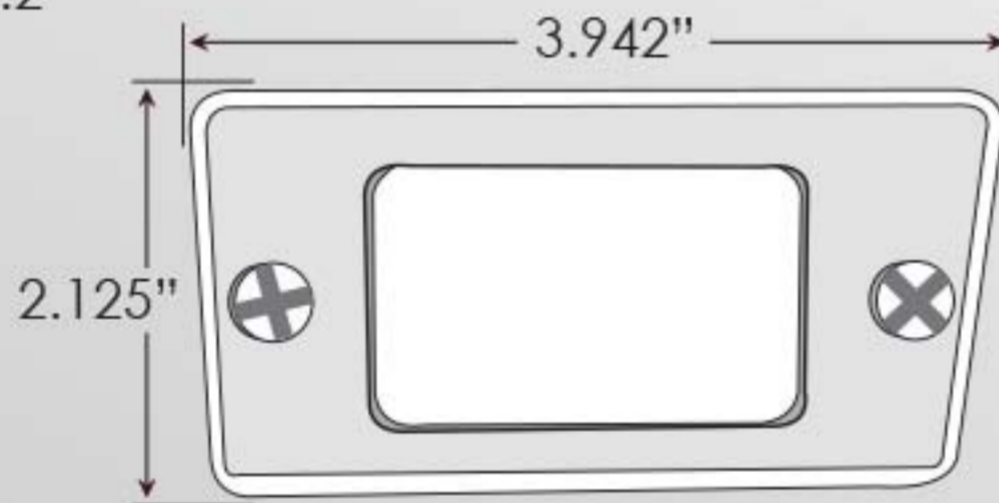
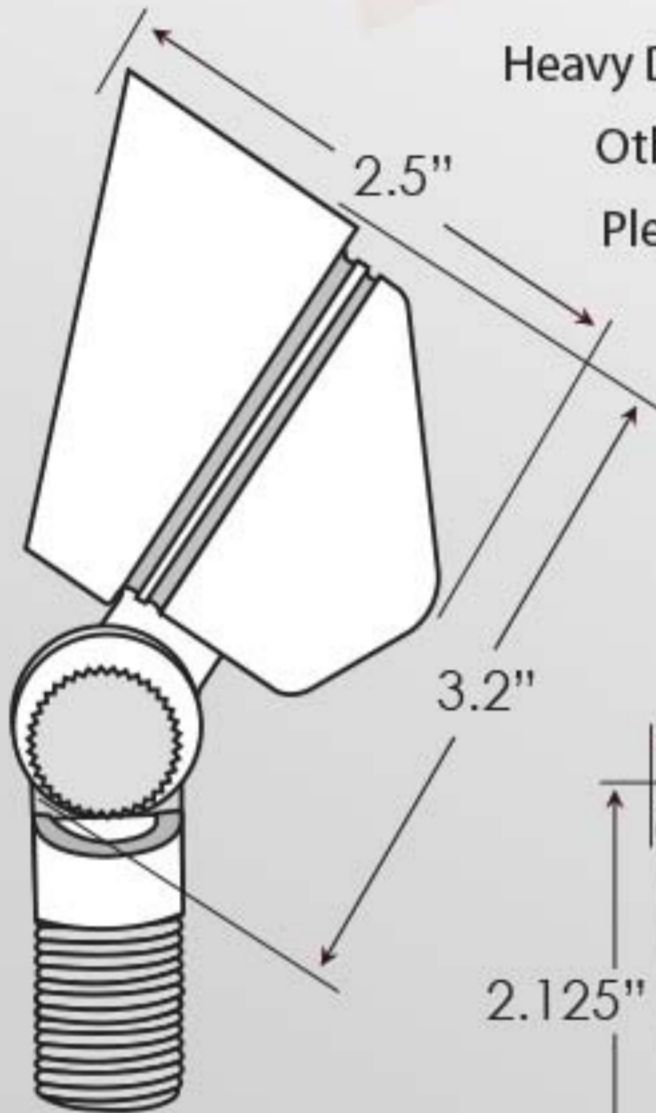
Wire: 5' Lead (18/2)

Lens: Clear or Frosted

Heavy Duty Composite Stake Included.

Other mounting options available.

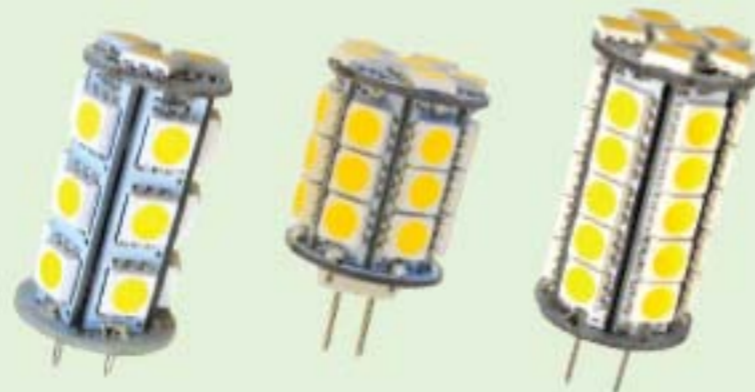
Please refer to accessories section.



## Lamp Options

### LED Option:

2.2W, 3.3W, 4W, or 5W LED Bi-Pin



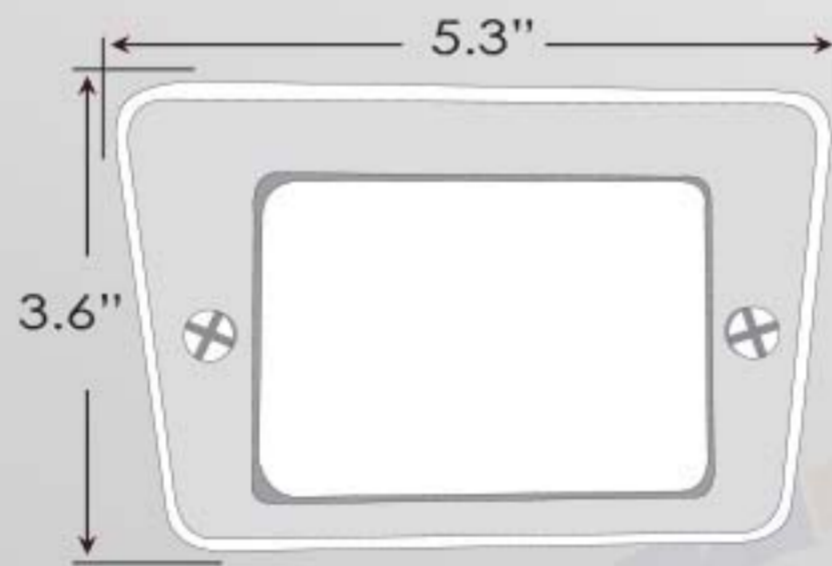
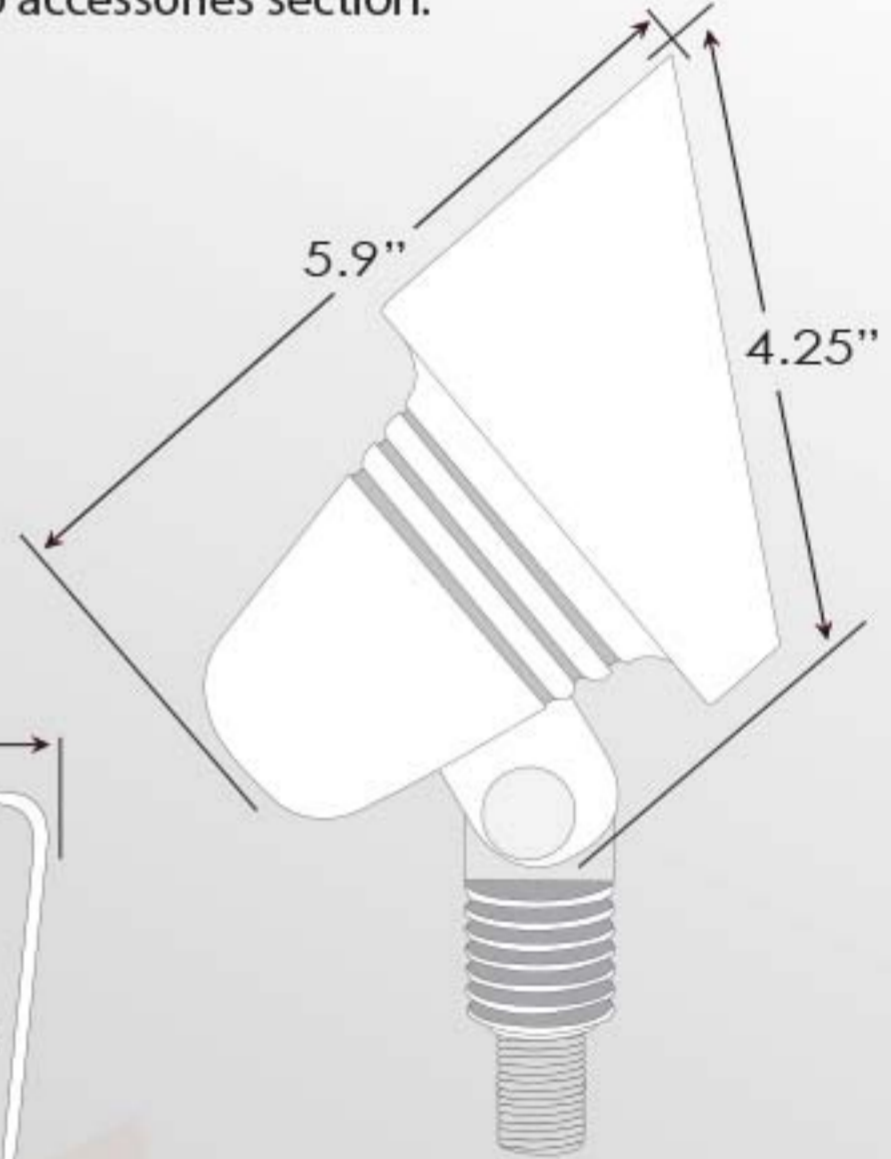
Wall Washes

# DIPLOMAT

490010 - LED MR16/Bi-Pin Wall Wash



Construction: Cast Brass  
Finish: Weathered Brass  
Weight: 4.1 Lbs  
Voltage: 12 Volt  
Shroud: Angled with Gasketed Lens  
Socket: Fixed  
Wattage: Maximum 35 Watts  
Wire: 5' Lead (18/2)  
Lens: Clear or Frosted  
Heavy Duty Composite Stake Included.  
Other mounting options available.  
Please refer to accessories section.



## Lamp Options

**LED Option:**  
2.2W, 3.3W, 4W, or 5W LED Bi-Pin



**LED Option:**  
2W, 4W, 5W, 7W, 8W LED MR16



Wall Washes

# BEACON

490053 - LED Bi-Pin Micro Flood

Construction: Cast Brass

Finish: Weathered Brass

Weight: 3.15 Lbs

Voltage: 12 Volt

Shroud: Reflective Powder Coat Interior

Socket: Fixed

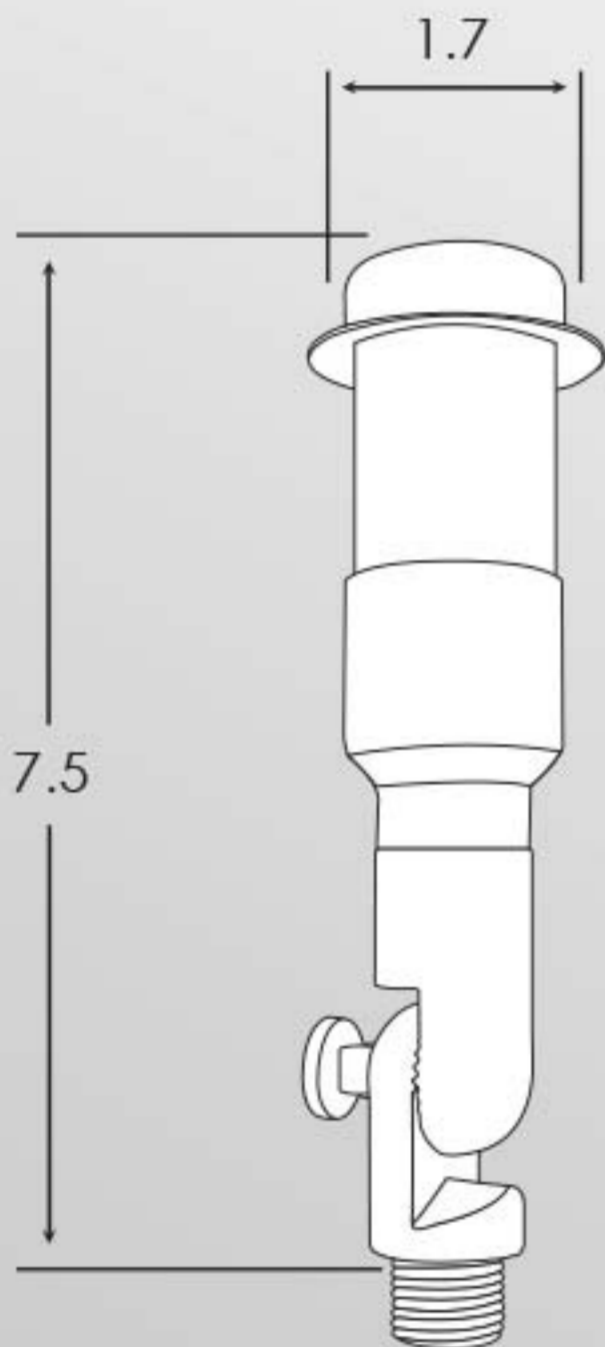
Wire: 5' Lead (18/2) Factory Installed

Lens: Clear

Heavy Duty Composite Stake Included.

Other mounting options available.

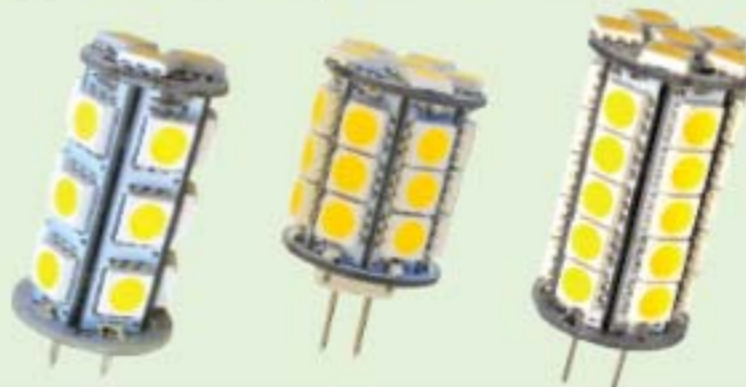
Please refer to accessories section.



## Lamp Options

### LED Option:

2.2W, 3.3W, 4W, or 5W LED Bi-Pin



Wall Washes



# CABANA

490090 - LED MR16 Wall Sconce



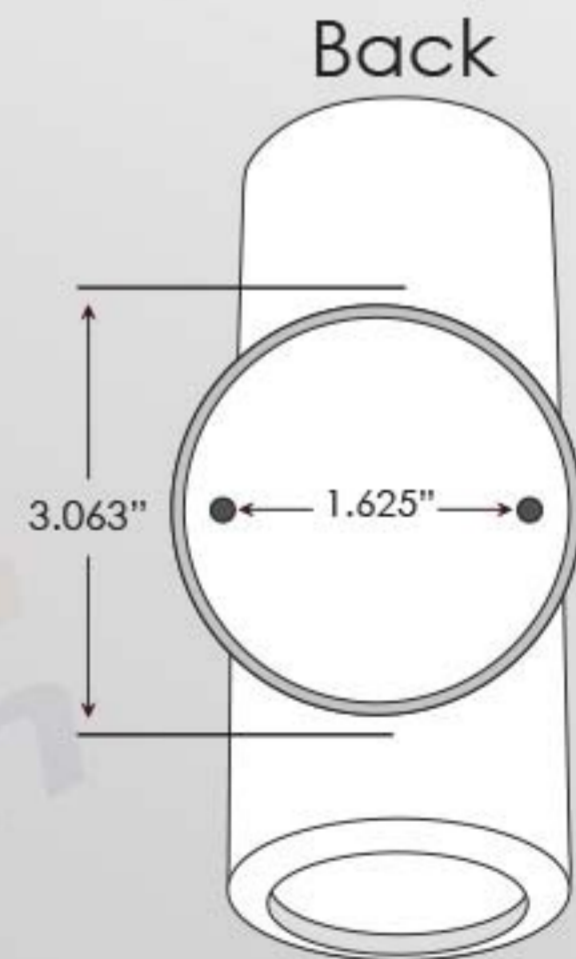
Construction: Cast Brass  
Finish: Weathered Brass  
Weight: 1.7 Lbs  
Voltage: 12 Volt  
Shroud: Threaded Cap with O-Rings  
Sockets: Fixed  
Wire: 5' Lead (18/2)  
Wattage: Maximum 35 Watts  
Lens: Clear  
Heavy Duty Composite Stake Included.  
Other mounting options available.  
Please refer to accessories section.



## Lamp Options

### LED Option:

2W, 4W, 5W, 7W, 8W LED MR16



Wall Sconce

# SOHO

## 489980 - LED MR16 Down Light

Construction: Cast Brass

Finish: Weathered Brass

Weight: 2.35 Lbs

Voltage: 12 Volt

Shroud: Triple O-Rings

Socket: Fixed

Wire: 5' Lead (18/2)

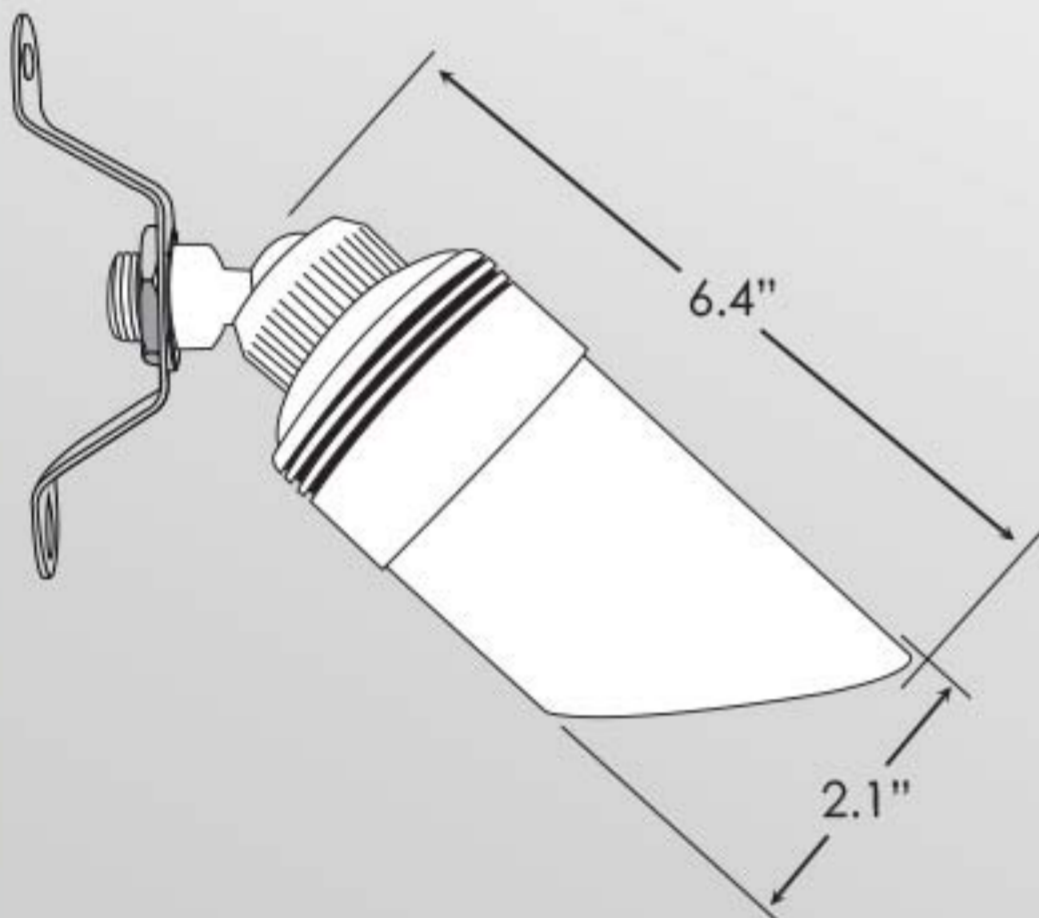
Wattage: Maximum 35 Watts

Lens: Open

Y-Bracket Included. Other mounting options available. Please refer to accessories section.



Down Lights



Y-Bracket



### Lamp Options

#### LED Option:

2W, 4W, 5W, 7W, 8W LED MR16

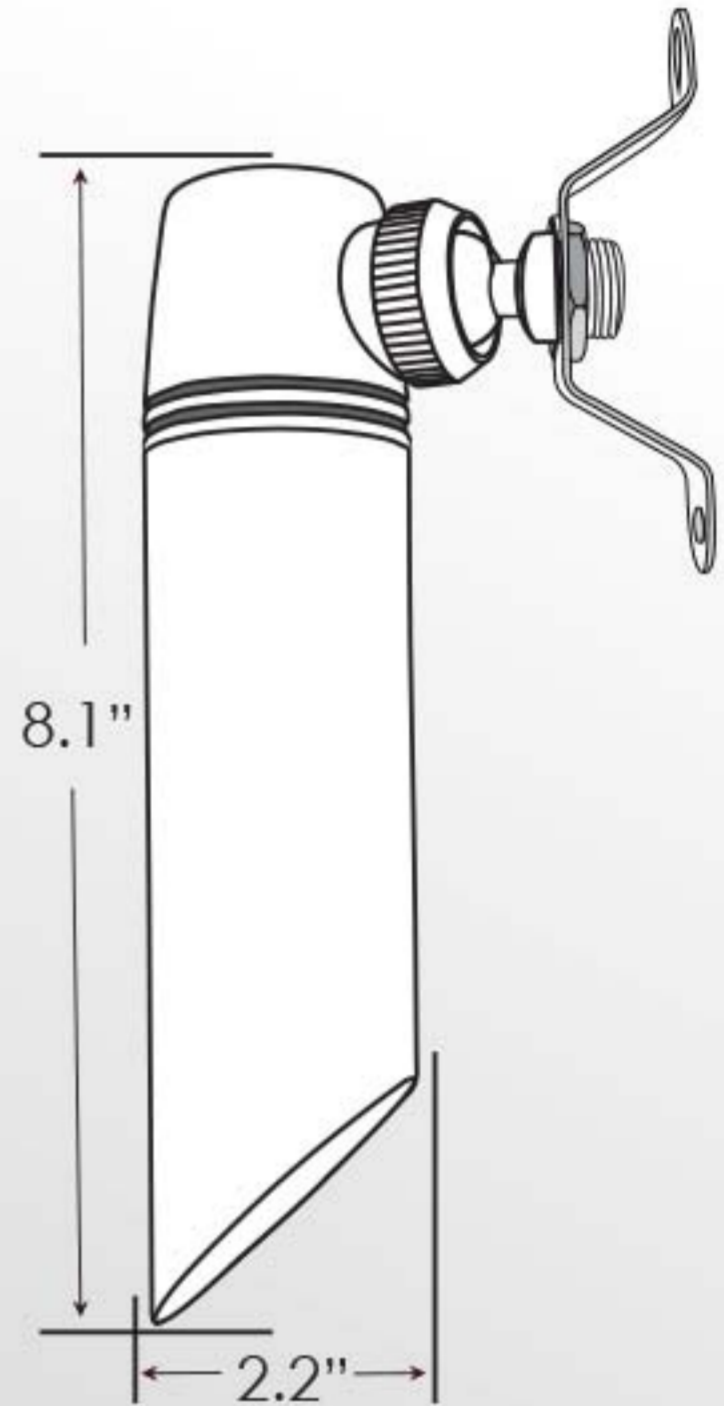


# FISHER

## 489981 - LED MR16 Down Light



Construction: Cast Brass  
Finish: Weathered Brass  
Weight: 2.35 Lbs  
Voltage: 12 Volt  
Shroud: Triple O-Rings  
Socket: Fixed  
Wire: 5' Lead (18/2)  
Wattage: Maximum 35 Watts  
Lens: Open  
Y-Bracket Included. Other mounting options available. Please refer to accessories section.



Y-Bracket



### Lamp Options

#### LED Option:

2W, 4W, 5W, 7W, 8W LED MR16

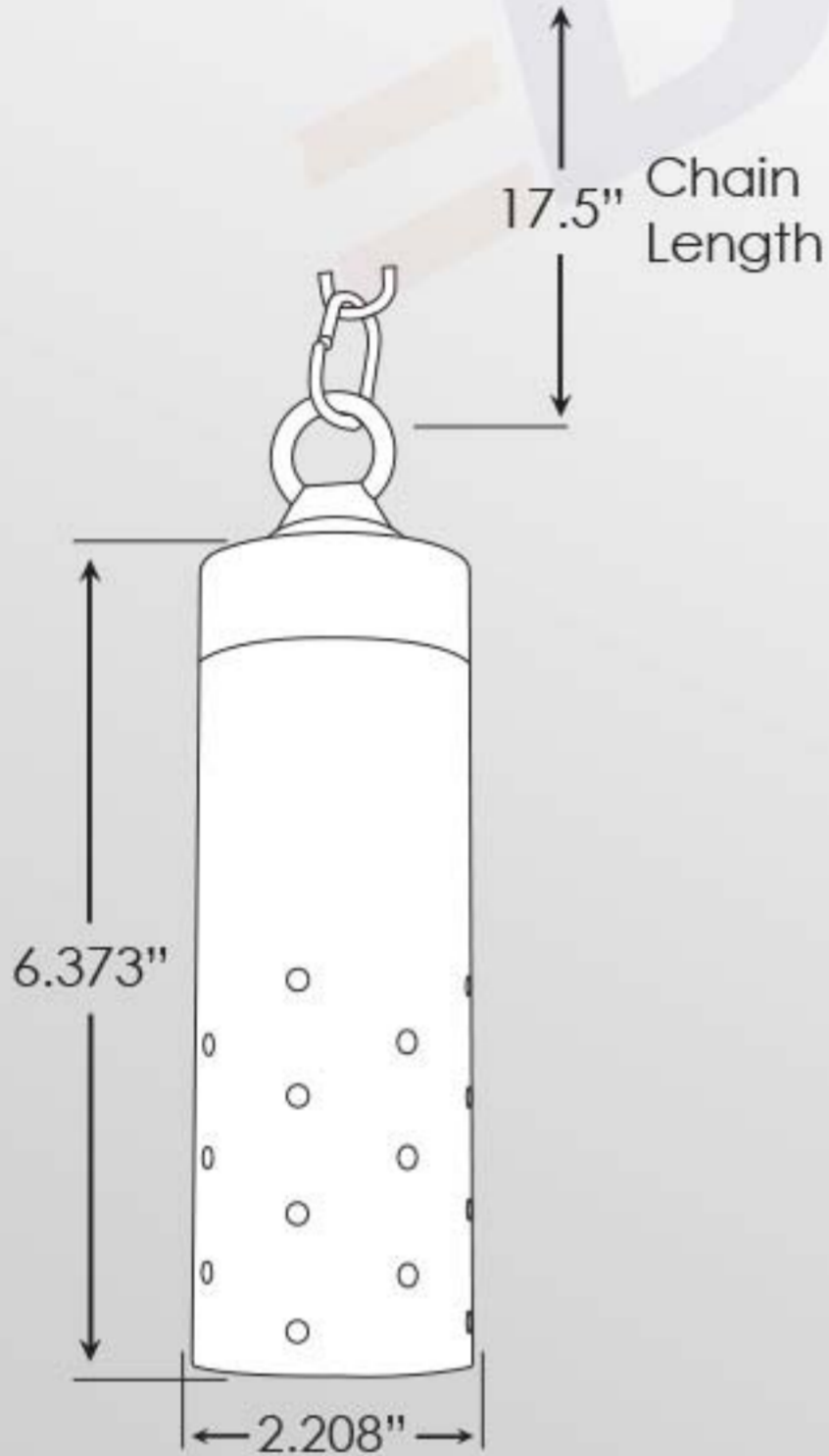


Down Lights

# COLONY

490088 - LED MR16 Pendant

Down Lights



Construction: Cast Brass  
Finish: Weathered Brass  
Weight: 1.4 Lbs  
Voltage: 12 Volt  
Shroud: Vented  
Socket: Fixed  
Wire: 5' Lead (18/2)  
Wattage: Maximum 35 Watts  
Lens: Open  
Mounting: Chain



## Lamp Options

**LED Option:**  
2W, 4W, 5W, 7W, 8W LED MR16



# SOLARA

## LED MR16 Well Light

490064 - Rock Guard

490065 - Shroud

490066 - Flat



Construction: Cast Brass

Finish: Weathered Brass

Weight: 1.7 Lbs

Voltage: 12 Volt

Socket: Fixed

Lens: Clear Glass Lens

Wire: 5' Lead (18/2)

Wattage: Maximum 35 Watts



Shroud



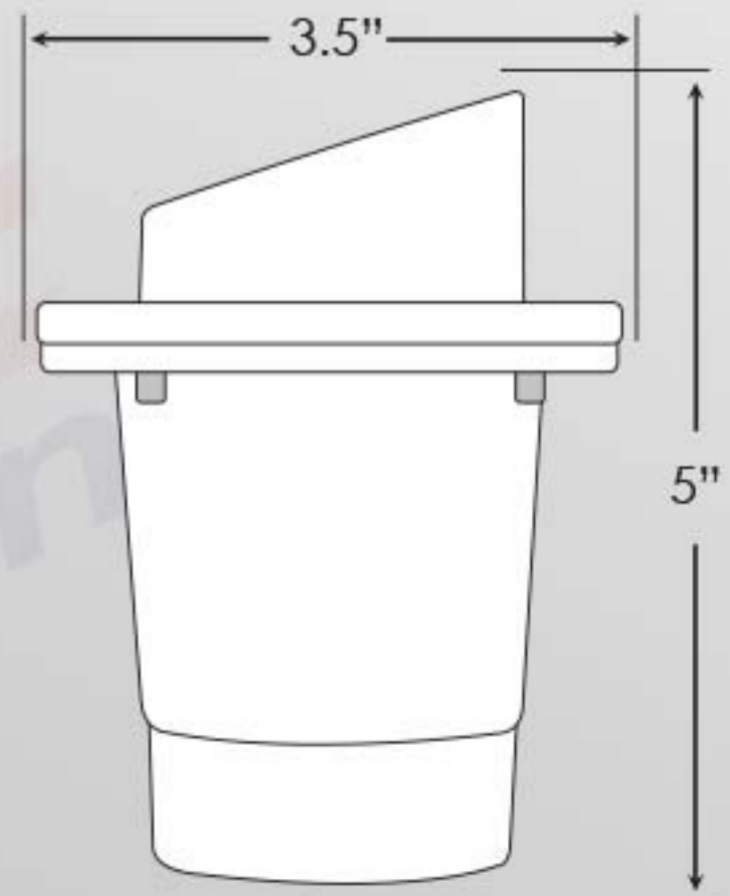
Rock Guard



### Lamp Options

#### LED Option:

2W, 4W, 5W, 7W, 8W LED MR16



Well Lights

# CHELSEA

490062 - LED MR16 Well Light

Body Construction: Composite

Face Plate Construction: Brass

Weight: 1 Lb

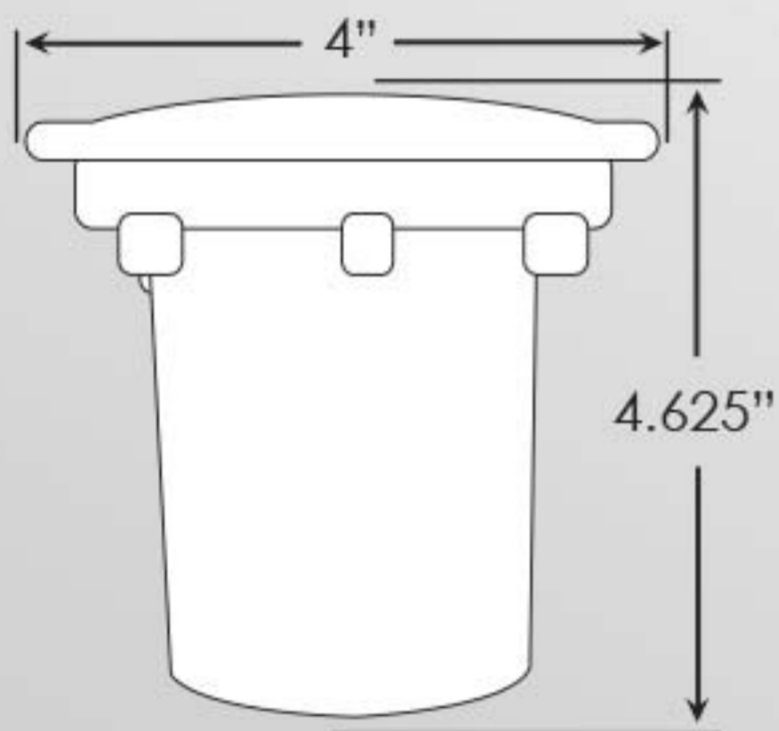
Voltage: 12 Volt

Socket: Fixed

Lens: Tempered Glass

Wire: 5' Lead (18/2)

Wattage: Maximum 35 Watts



Well Lights

## Lamp Options

### LED Option:

2W, 4W, 5W, 7W, 8W LED MR16

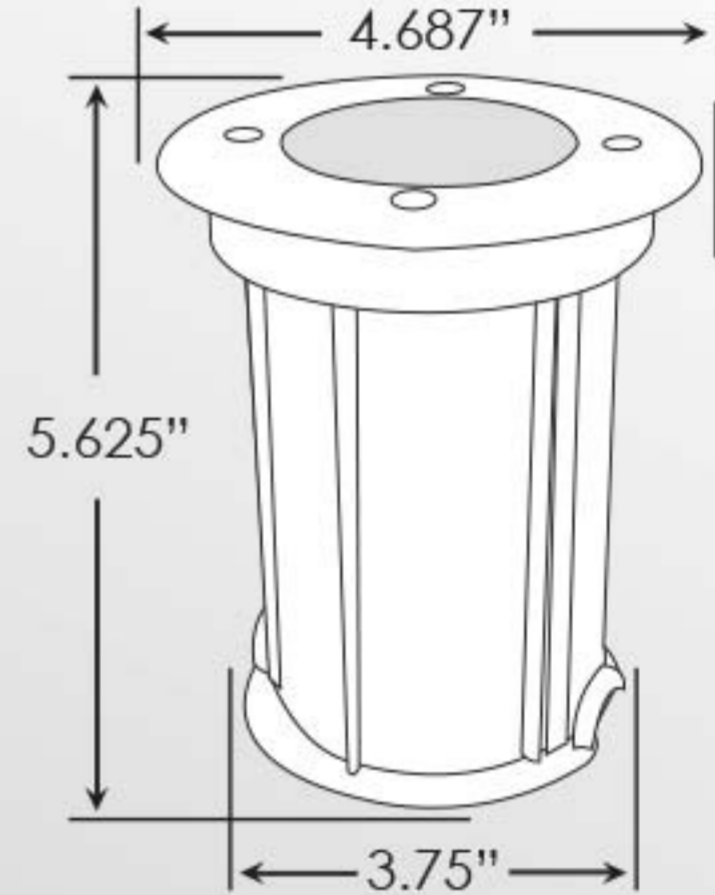


# BENTLEY

490063 - LED MR16 Adjustable Well Light



- Body Construction: Composite
- Face Plate Construction: Brass
- Adjustabel Gimble Construction: Aluminum
- Weight: 1.5 Lbs
- Voltage: 12 Volt
- Lens: Tempered Glass
- Wire: 5' Lead (18/2)
- Wattage: Maximum 35 Watts



Adjustable Gimbal.



## Lamp Options

### LED Option:

2W, 4W, 5W, 7W, 8W LED MR16



Well Lights

# TRADEWINDS

490017 - LED PAR36 Adjustable Well Light  
(With 5' Lead Wire & Quick Connect)

Body Construction: Composite

Face Plate Construction: Brass with Tempered Glass Lens

Adjustable Gimbal Construction: Stainless Steel

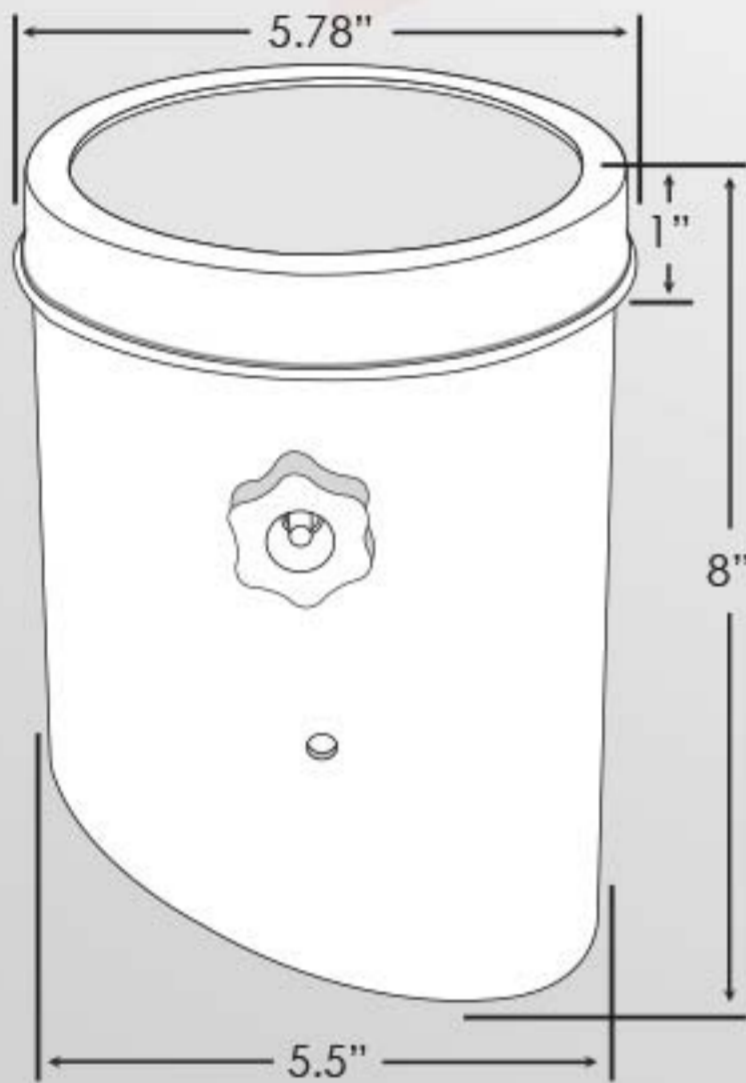
Weight: 2.35 Lbs

Voltage: 12 Volt

Wattage: Maximum 36 Watts



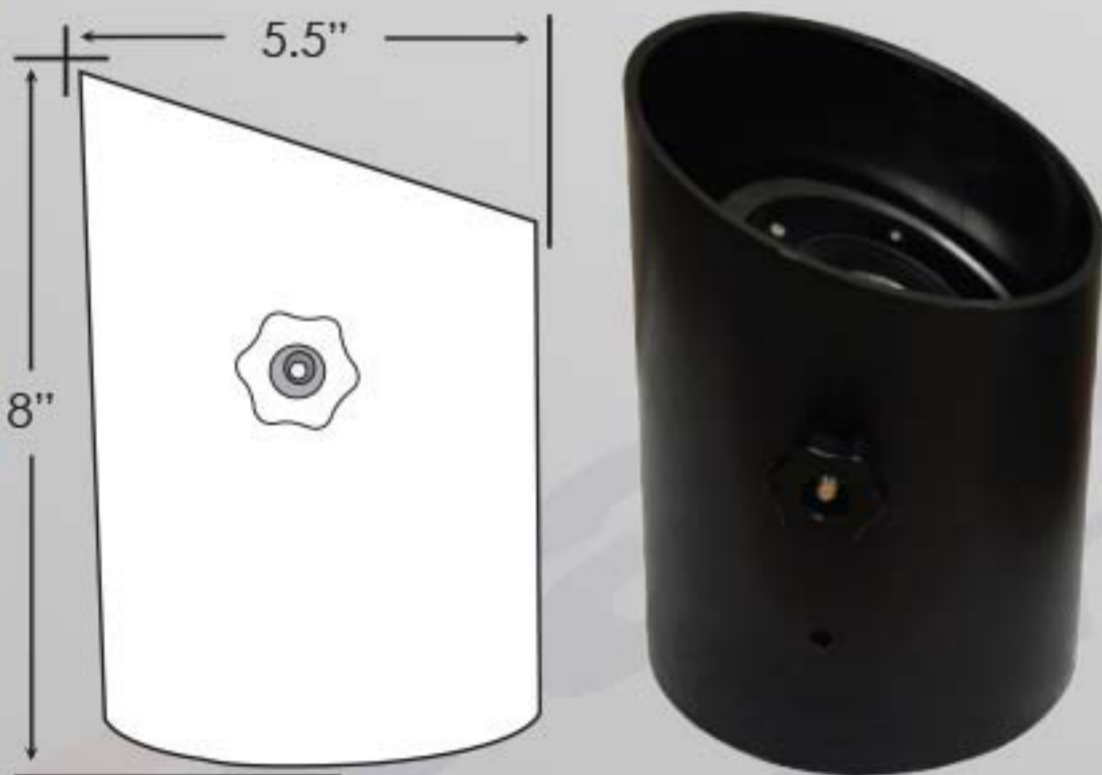
Flat Side With Lens



Top View



Angle Cut With Lens Option



## Lamp Options

### Led Option:

6w, 7w, 10w Led PAR36 25° & 60°  
IP65 Rated





# CHURCHILL

490080 - LED Bi-Pin Hardscape



*Under Cap Mount*

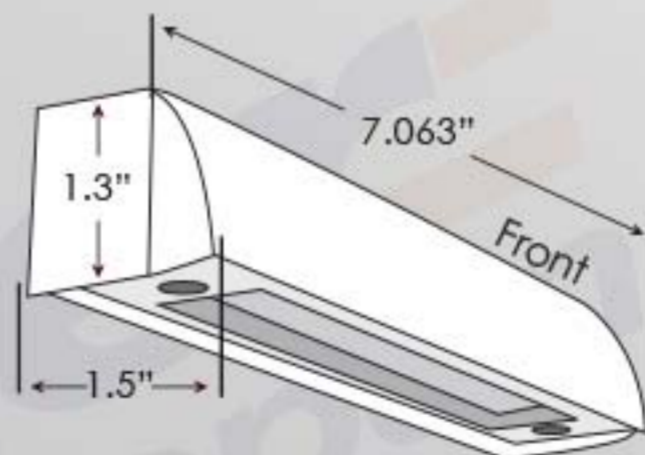
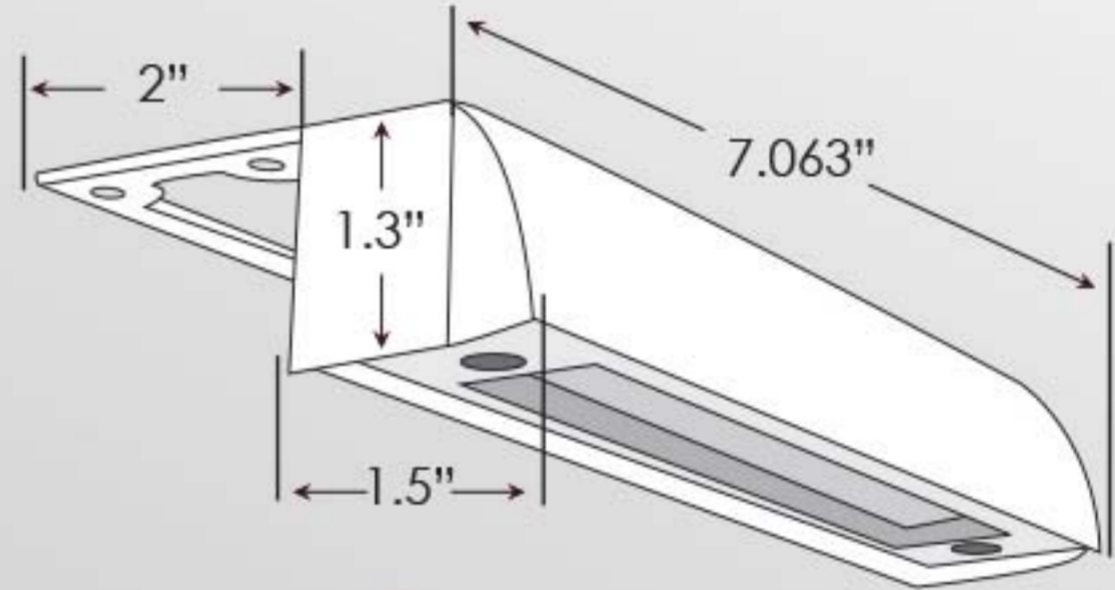


*Flush Mount*

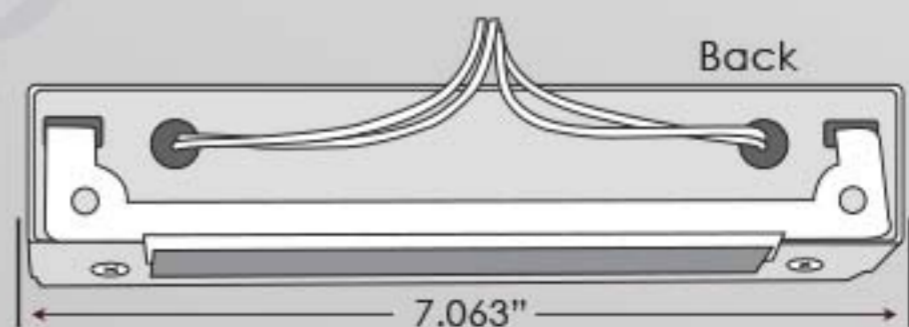
- Construction: Cast Brass
- Finish: Weathered Brass
- Weight: 1.3 Lb
- Voltage: 12 Volt
- Socket: Fixed
- Wire: 5' Lead (18/2)
- Wattage: Maximum 30 Watts
- Lens: Clear



*Under Cap Mount Dimensions*

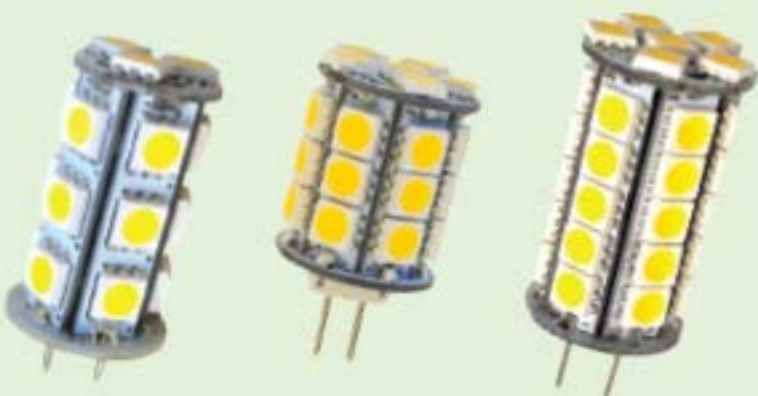


*Flush Mount Dimensions*



## Lamp Options

**LED Option:**  
2.2W, 3.3W, 4W or 5W LED Bi-Pin



Step & Deck Lights

# CRESCENT

## LED Bi-Pin Deck Light

490075 - Eyelid

490076 - Louvered

Construction: Cast Brass

Finish: Weathered Brass

Weight: 1 Lb

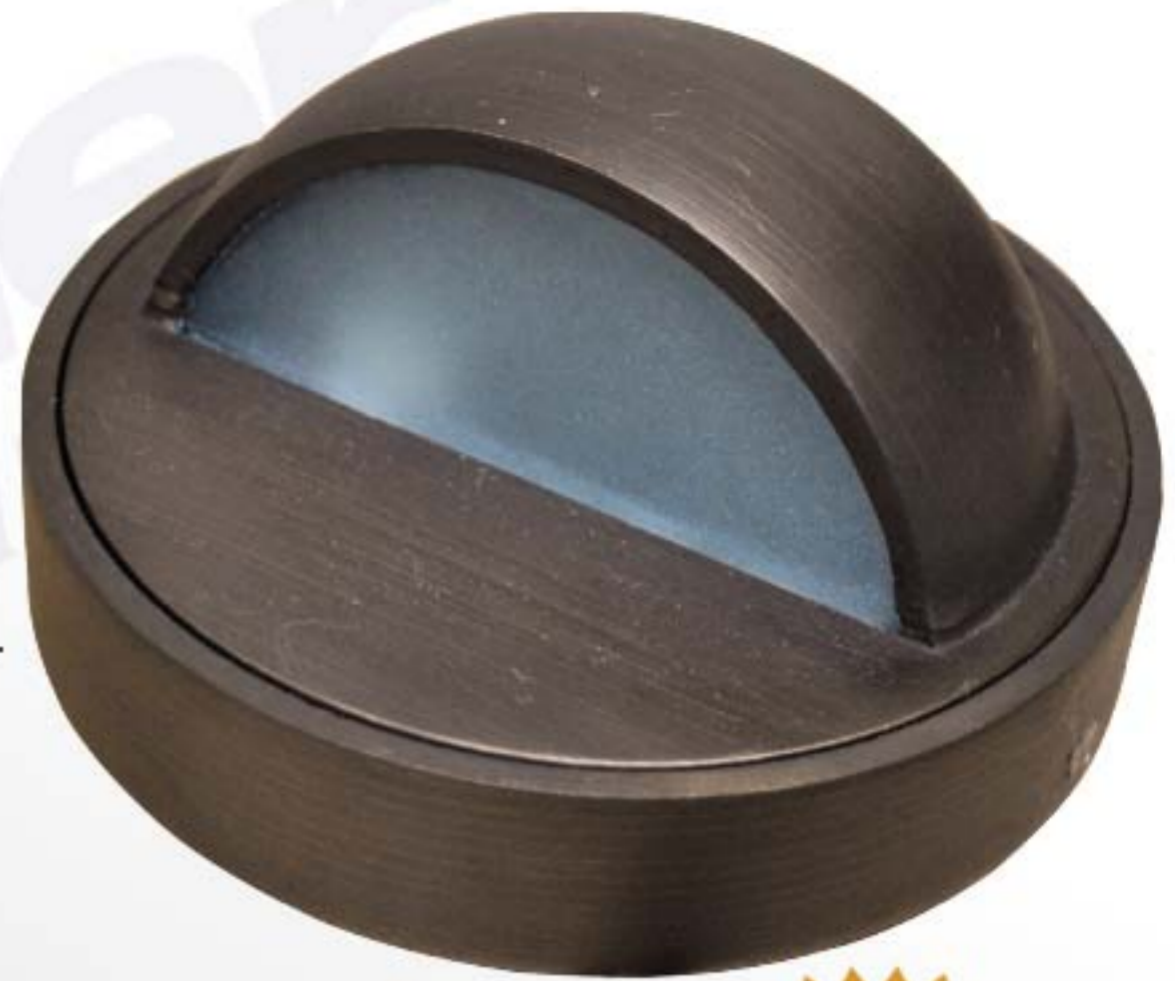
Voltage: 12 Volt

Socket: Fixed

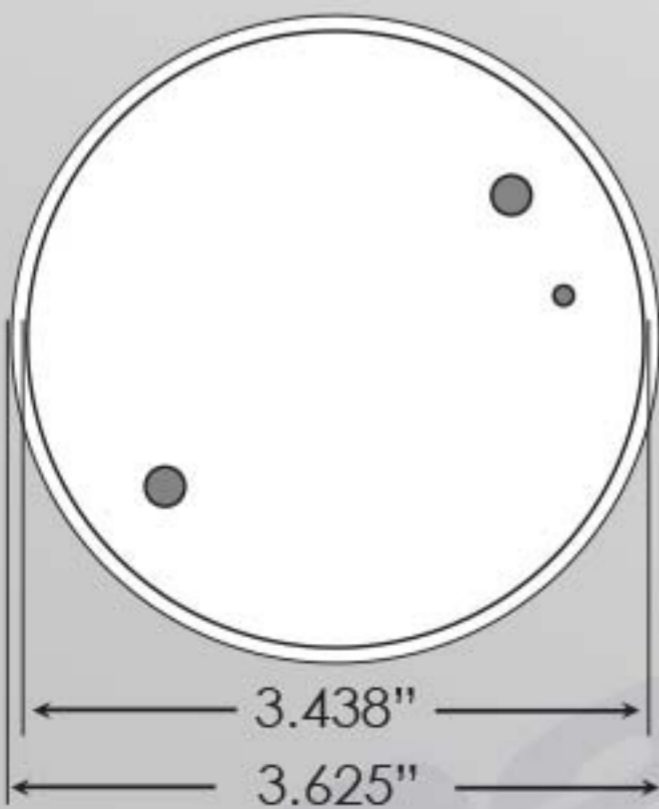
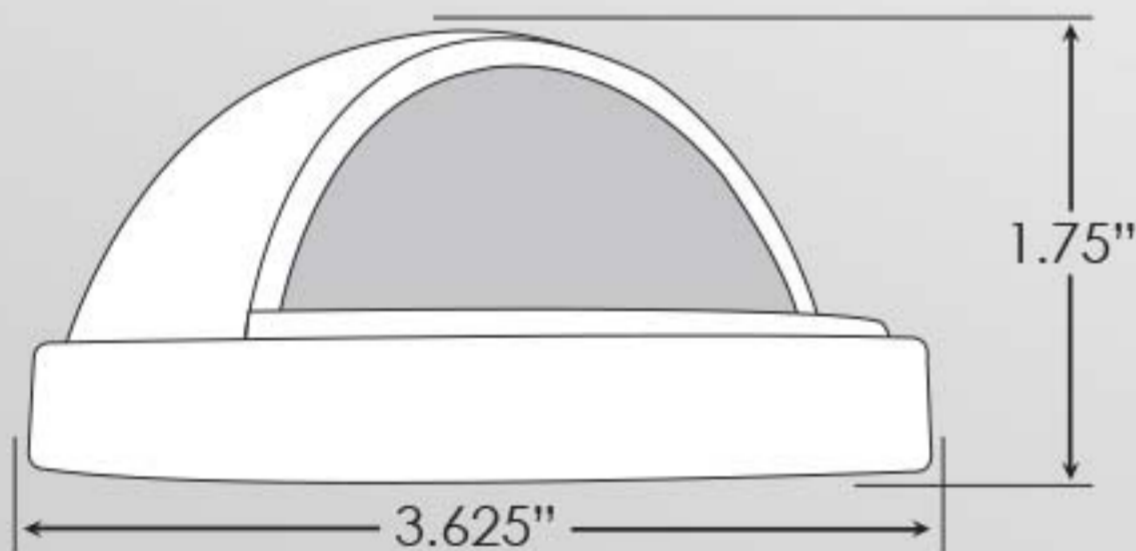
Lens: Frosted Glass Lens

Wire: 5' Lead (18/2)

Wattage: Maximum 35 Watts



Step & Deck Lights



Louvered Version



### Lamp Options

#### LED Option:

2.2W, 3.3W or 4W LED Bi-Pin

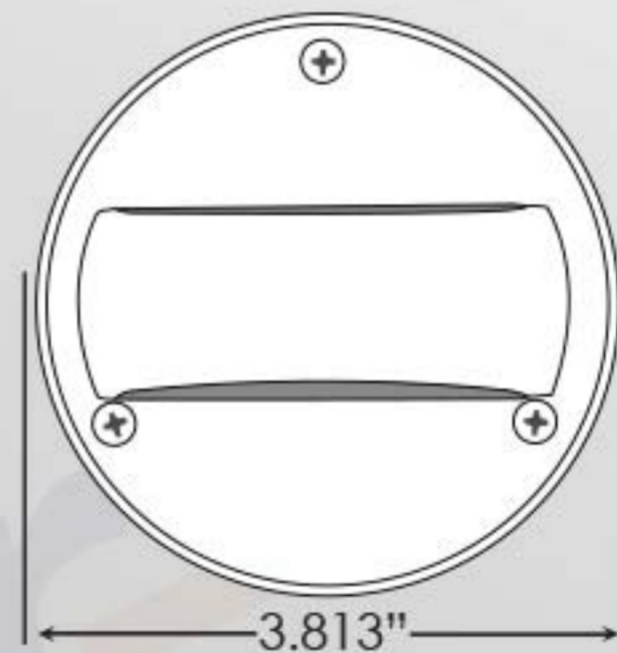
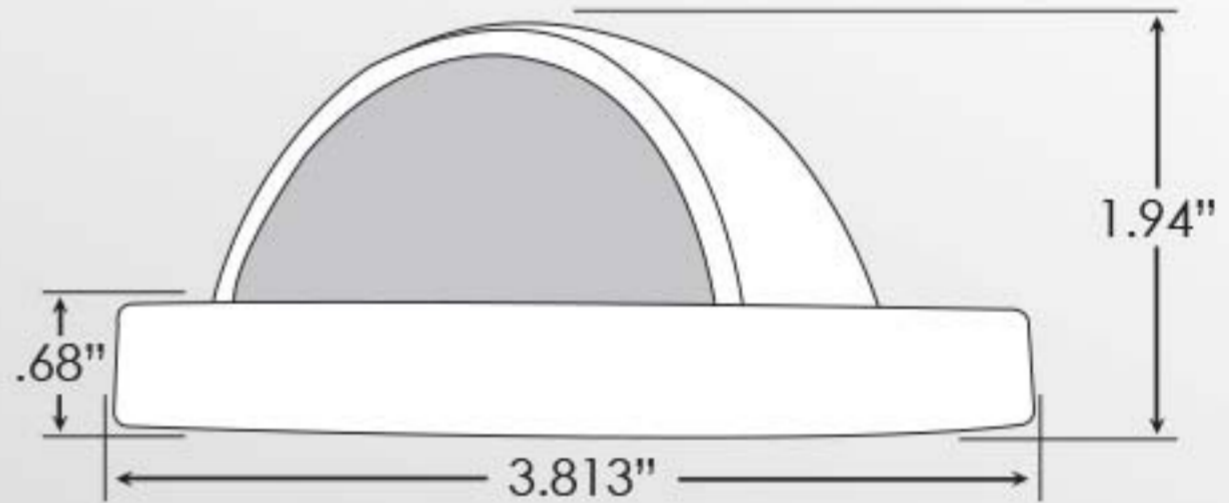


# BREAKWATER

490085 - LED Bi-Pin Multi Directional Deck Light



Construction: Cast Brass  
Finish: Weathered Brass  
Weight: 1 Lb  
Voltage: 12 Volt  
Socket: Fixed  
Lens: Frosted Glass Lens  
Wire: 5' Lead (18/2)  
Wattage: Maximum 35 Watts



## Lamp Options

### LED Option:

2.2W, 3.3W, 4W or 5W LED Bi-Pin

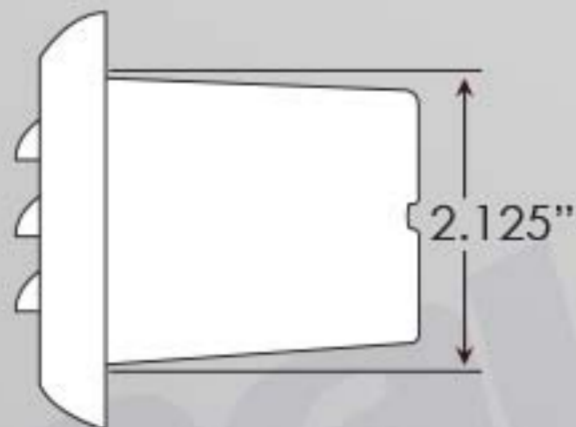
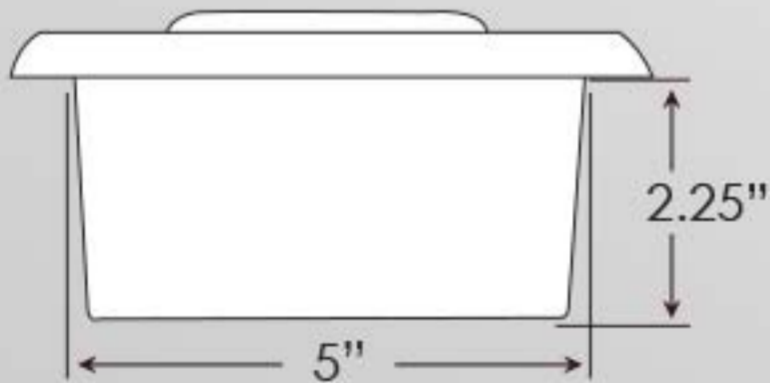
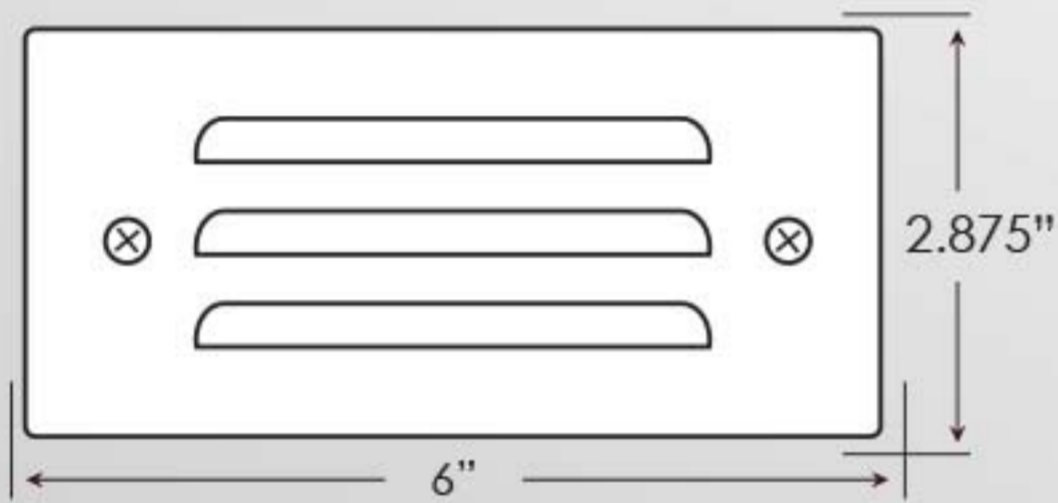


Step & Deck Lights

# SAVOY

## 490077 - LED Bi-Pin Step Light

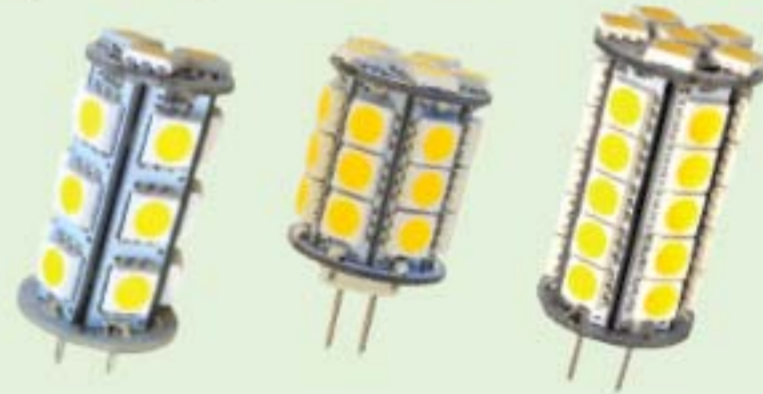
Construction: Cast Brass  
Finish: Weathered Brass  
Weight: 1 Lb  
Voltage: 12 Volt  
Louvered Face Plate  
Socket: Fixed  
Wire: 5' Lead (18/2)  
Wattage: Maximum 35 Watts



### Lamp Options

#### LED Option:

2.2W, 3.3W, 4W or 5W LED Bi-Pin

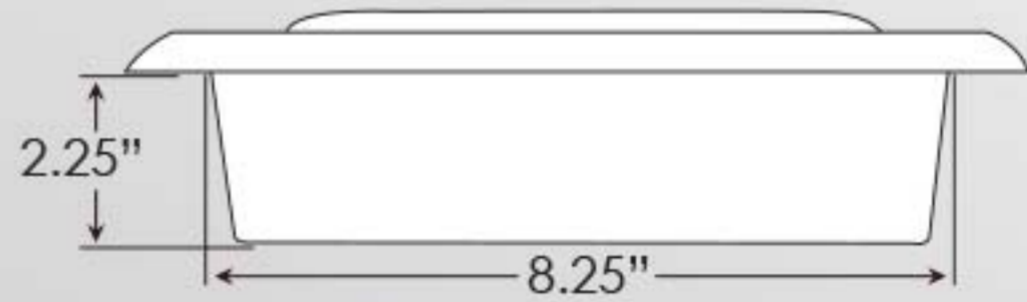
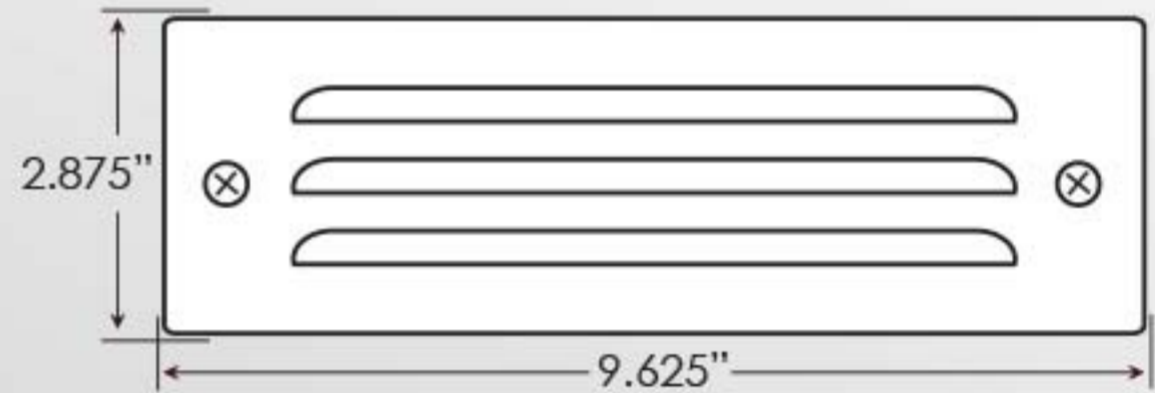


# EDGEWATER

490078 - LED Bi-Pin Step Light



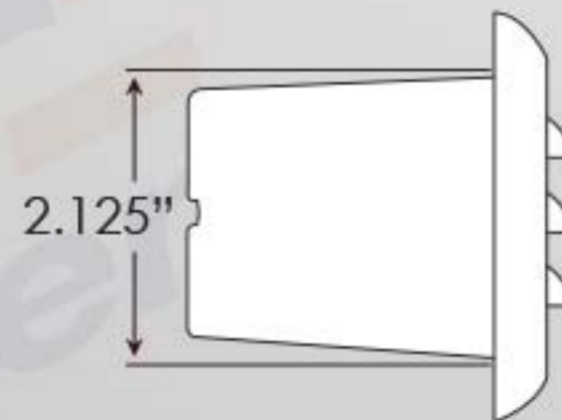
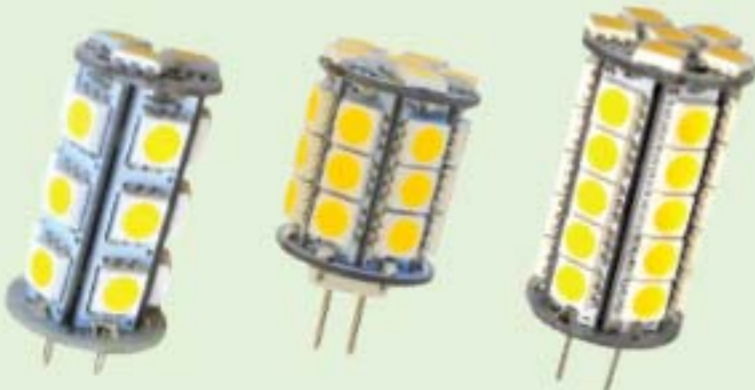
Construction: Cast Brass  
Finish: Weathered Brass  
Weight: 1.6 Lbs  
Voltage: 12 Volt  
Louvered Face Plate  
Socket: Fixed  
Wire: 5' Lead (18/2)  
Wattage: Maximum 35 Watts



## Lamp Options

### LED Option:

2.2W, 3.3W, 4W or 5W LED Bi-Pin



Step & Deck Lights

# ACCESSORIES

## MOUNTING OPTIONS

490029



490030



490048



490047



490045



490050



490051



## RISERS

Code

Product Description

490029	DPMS HEAVY DUTY PLASTIC MOUNTING STAKE
490030	DBTS 3-PRONG TRI-STAKE
490031	DBR6 - 6" BRASS RISER
490032	DBR12 - 12" BRASS RISER
490033	DBR24 - 24" BRASS RISER
490038	DBR2 - 2" BRASS RISER
490039	DBR3 - 3" BRASS RISER
490045	Y-BRACKET SURFACE AND DOWNLIGHT MOUNT
490047	BRASS GUTTER MOUNT
490048	BRASS SURFACE MOUNT ROUND (3-HOLE)
490050	DBLC BRASS L-CONNECTOR
490051	DBTC BRASS T-CONNECTOR

490033



24"

490032



12"

490031



6"

490039



3"

490038



2"

Accessories



# MR16 8W

## CREE Chip Technology

12 Volt  
Hi-Output Series

### Lamp characteristics:

- Hi-Output CREE COB chip
- Fully Dimmable (Compatible with over 90% of dimming systems)
- 5-Year Manufacturers Warranty against product defects
- UL-Listed and Energy Star Approved
- 25,000 Hour Average Rated Life (by Energy Star Standards)
- Will last in most normal applications for 50,000 Hours +
- Lamp Dimensions: 50mm diameter x 51.7mm MOL



LED Bulbs

Code	Product Description	Voltage	Wattage	Color K	Lumens	CBCP	CRI
487000	LED-MR16-8SC-27K-25°	12V	8W	2700K	455	1945	80+
487001	LED-MR16-8SC-WW-25°	12V	8W	3000K	465	1988	80+
487002	LED-MR16-8SC-CW-25°	12V	8W	5000K	525	2335	70+
487003	LED-MR16-8SC-NW-25°	12V	8W	4000K	510	2104	75+
487004	LED-MR16-8SC-27K-40°	12V	8W	2700K	455	1100	80+
487005	LED-MR16-8SC-WW-40°	12V	8W	3000K	465	1150	80+
487006	LED-MR16-8SC-CW-40°	12V	8W	5000K	525	1343	70+
487007	LED-MR16-8SC-NW-40°	12V	8W	4000K	510	1325	75+



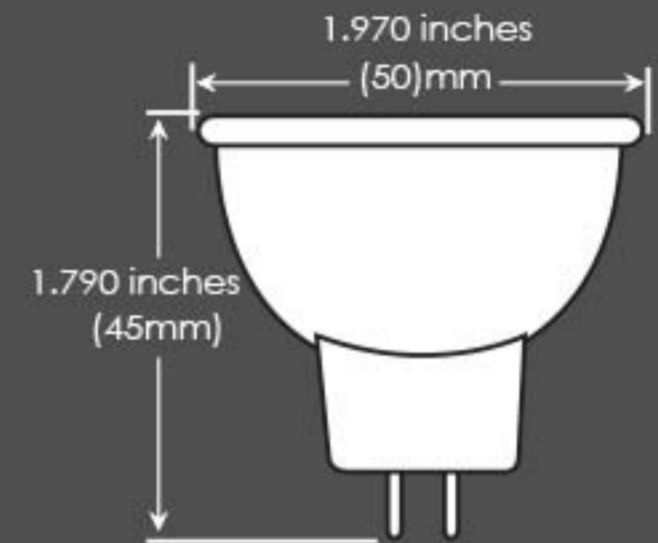
# MR16 7W

## PHILIPS Chip Technology

12 Volt  
Hi-Output Series

### Lamp characteristics:

- Hi-Output Philips Lumiled chip
- Suitable for enclosed luminaires
- Fully Dimmable (Compatible with over 90% of dimming systems)
- 5-Year Manufacturers Warranty against product defects
- UL-Listed (E353116)
- 25,000 Hour Average Rated Life (by Energy Star Standards)
- Will last in most normal applications for 50,000 Hours +
- Lamp Dimensions: 50mm diameter x 45mm MOL



Code	Product Description	Voltage	Wattage	Color K	Lumens	CBCP	CRI
486791	LED-MR16-7P-27K-25°	12V	7W	2700K	380	1340	85+
486854	LED-MR16-7P-WW-25°	12V	7W	3000K	400	1385	80+
486856	LED-MR16-7P-NW-25°	12V	7W	4000K	440	1400	75+
486855	LED-MR16-7P-CW-25°	12V	7W	6000K	480	1420	70+
486792	LED-MR16-7P-27K-40°	12V	7W	2700K	380	1000	85+
486857	LED-MR16-7P-WW-40°	12V	7W	3000K	400	1025	80+
486859	LED-MR16-7P-NW-40°	12V	7W	4000K	440	1040	75+
486858	LED-MR16-7P-CW-40°	12V	7W	6000K	480	1060	70+
486793	LED-MR16-7P-27K-60°	12V	7W	2700K	380	550	85+
486860	LED-MR16-7P-WW-60°	12V	7W	3000K	400	560	80+
486862	LED-MR16-7P-NW-60°	12V	7W	4000K	440	570	75+
486861	LED-MR16-7P-CW-60°	12V	7W	6000K	480	580	70+





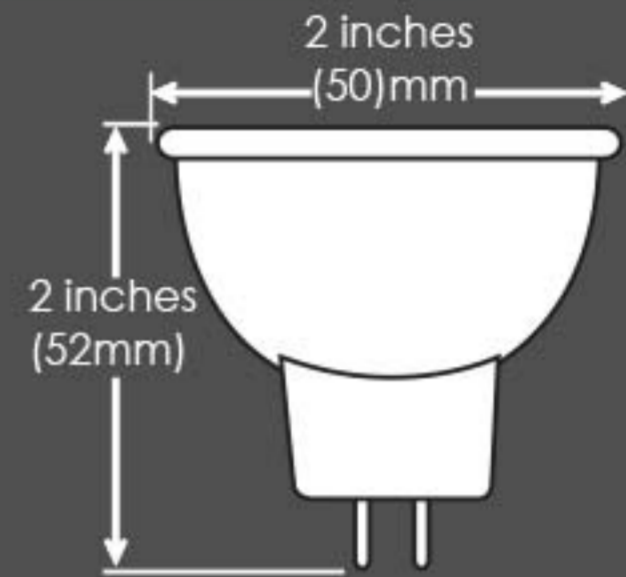
# MR16 5W

## CREE Chip Technology

12 Volt  
Hi-Output Series

### Lamp characteristics:

- Hi-Output CREE XBD chip
- Suitable for enclosed luminaires
- Fully Dimmable (Compatible with over 90% of dimming systems)
- 5-Year Manufacturers Warranty against product defects
- UL-Listed (E353116)
- 25,000 Hour Average Rated Life
- Will last in most normal applications for 50,000 Hours +
- Lamp Dimensions: 50mm diameter x 51mm MOL



LED Bulbs

Code	Product Description	Voltage	Wattage	Color K	Lumens	CBCP	CRI
486785	LED-MR16-5XBD-27K-15°	12V	5W	2700K	300	1690	85+
486828	LED-MR16-5XBD-WW-15°	12V	5W	3000K	320	1694	85+
486829	LED-MR16-5XBD-CW-15°	12V	5W	6000K	360	1725	70+
486786	LED-MR16-5XBD-27K-25°	12V	5W	2700K	300	1084	85+
486831	LED-MR16-5XBD-WW-25°	12V	5W	3000K	320	1098	85+
486832	LED-MR16-5XBD-CW-25°	12V	5W	6000K	360	1392	70+
486833	LED-MR16-5XBD-NW-25°	12V	5W	4000K	340	1112	75+
486787	LED-MR16-5XBD-27K-40°	12V	5W	2700K	300	820	85+
486818	LED-MR16-5XBD-WW-40°	12V	5W	3000K	320	818	85+
486819	LED-MR16-5XBD-CW-40°	12V	5W	6000K	360	824	70+
486824	LED-MR16-5XBD-NW-40°	12V	5W	4000K	340	835	75+
486788	LED-MR16-5XBD-27K-60°	12V	5W	2700K	300	410	85+
486825	LED-MR16-5XBD-WW-60°	12V	5W	3000K	320	420	85+
486826	LED-MR16-5XBD-CW-60°	12V	5W	6000K	360	440	70+
486827	LED-MR16-5XBD-NW-60°	12V	5W	4000K	340	435	75+
486789	LED-MR16-5XBD-27K-100°	12V	5W	2700K	300	205	85+
486834	LED-MR16-5XBD-WW-100°	12V	5W	3000K	320	205	85+
486835	LED-MR16-5XBD-CW-100°	12V	5W	6000K	360	201	70+



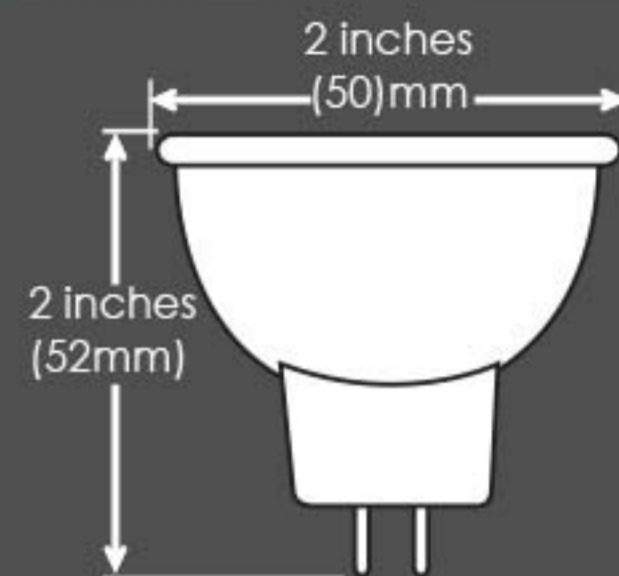
# MR16 4W

## CREE Chip Technology

12 Volt  
Reduced Power Series

### Lamp characteristics:

- CREE XBD chip
- Suitable for enclosed luminaires
- Fully Dimmable (Compatible with over 90% of dimming systems)
- 5-Year Manufacturers Warranty against product defects
- UL-Listed (E353116)
- 25,000 Hour Average Rated Life
- Will last in most normal applications for 50,000 Hours +
- Lamp Dimensions: 50mm diameter x 52mm MOL



Code	Product Description	Voltage	Wattage	Color K	Lumens	CBCP	CRI
486780	LED-MR16-4XBD-27K-15°	12V	4W	2700K	240	1352	85+
487054	LED-MR16-4XBD-WW-15°	12V	4W	3000K	250	1355	85+
487055	LED-MR16-4XBD-CW-15°	12V	4W	6000K	290	1380	70+
486781	LED-MR16-4XBD-27K-25°	12V	4W	2700K	240	867	85+
487057	LED-MR16-4XBD-WW-25°	12V	4W	3000K	250	878	85+
487058	LED-MR16-4XBD-CW-25°	12V	4W	6000K	290	1114	70+
486782	LED-MR16-4XBD-27K-40°	12V	4W	2700K	240	656	85+
487060	LED-MR16-4XBD-WW-40°	12V	4W	3000K	250	654	85+
487061	LED-MR16-4XBD-CW-40°	12V	4W	6000K	290	659	70+
486783	LED-MR16-4XBD-27K-60°	12V	4W	2700K	240	330	85+
487063	LED-MR16-4XBD-WW-60°	12V	4W	3000K	250	340	85+
487064	LED-MR16-4XBD-CW-60°	12V	4W	6000K	290	360	70+
486784	LED-MR16-4XBD-27K-100°	12V	4W	2700K	240	340	85+
487066	LED-MR16-4XBD-WW-100°	12V	4W	3000K	250	340	85+



# MR16 2W

## CREE Chip Technology

12 Volt  
Extra Low Power Series



### Lamp characteristics:

- CREE XBD chip
- Suitable for enclosed luminaires
- Fully Dimmable (Compatible with over 90% of dimming systems)
- 5-Year Manufacturers Warranty against product defects
- UL-Listed (E353116)
- 25,000 Hour Average Rated Life
- Will last in most normal applications for 50,000 Hours +
- Lamp Dimensions: 50mm diameter x 52mm MOL



LED Bulbs

Code	Product Description	Voltage	Wattage	Color K	Lumens	CBCP	CRI
487039	LED-MR16-2XBD-27K-25°	12V	2W	2700K	160	520	85+
487040	LED-MR16-2XBD-WW-25°	12V	2W	3000K	160	527	85+
487043	LED-MR16-2XBD-27K-40°	12V	2W	2700K	160	394	85+
487044	LED-MR16-2XBD-WW-40°	12V	2W	3000K	160	392	85+
487047	LED-MR16-2XBD-27K-60°	12V	2W	2700K	160	198	85+
487048	LED-MR16-2XBD-WW-60°	12V	2W	3000K	160	204	85+
487051	LED-MR16-2XBD-27K-100°	12V	2W	2700K	160	204	85+
487052	LED-MR16-2XBD-WW-100°	12V	2W	3000K	160	204	85+



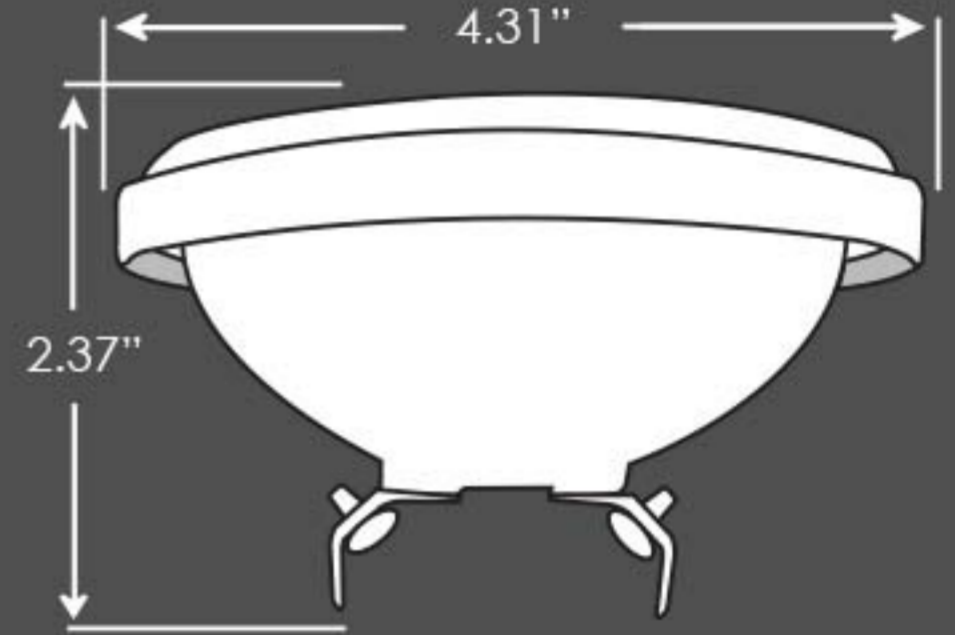
# PAR36

## CREE Chip Technology

12 Volt  
Hi-Output Series

### Lamp characteristics:

- Hi-Output CREE COB chip
- "IP65" Rated (Weatherproof)
- The Cree chip 12V PAR36 lamps are NON-DIMMABLE
- 5-Year Manufacturers Warranty Against Product Defects
- Will last in most normal applications for 50,000 Hours +
- 25,000 Hour Average Rated Life
- Warm White Color (3000K)
- Multi-Purpose Terminal Base



Code	Product Description	Voltage	Wattage	Color K	Lumens	CBCP	CRI
487215	LED-PAR36-6XBD-WW-30°	12V	6W	3000K	340	959	80+
487234	LED-PAR36-7C-WW-25°	12V	7W	3000K	400	959	80+
487237	LED-PAR36-7C-WW-60°	12V	7W	3000K	400	959	80+
487240	LED-PAR36-10C-WW-25°	12V	10W	3000K	580	1390	80+
487243	LED-PAR36-10C-WW-60°	12V	10W	3000K	580	1390	80+



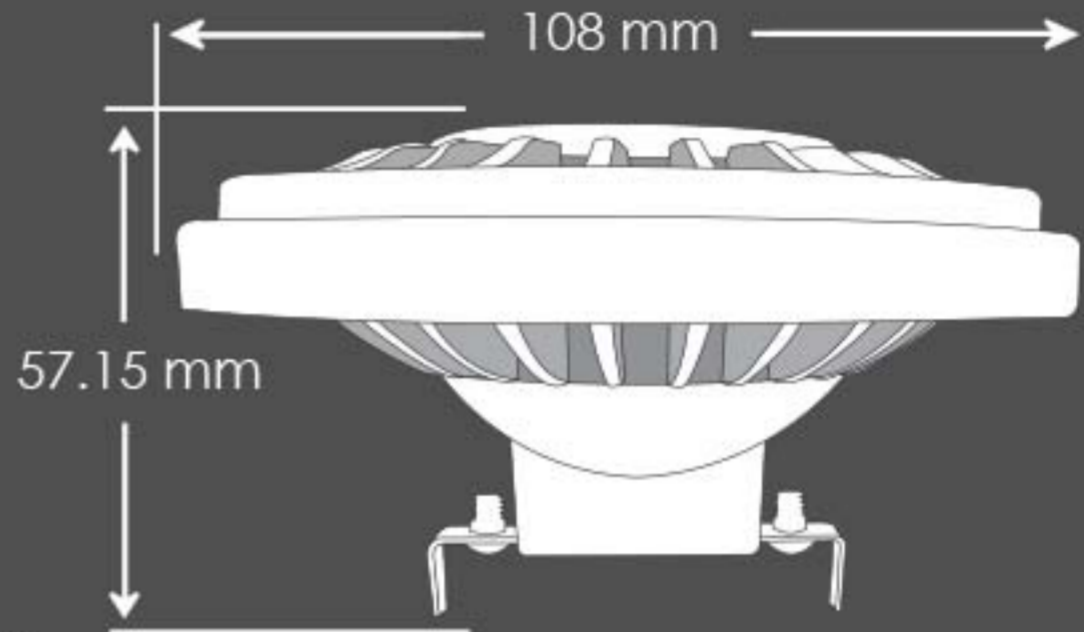
# AR111 LED 12W

## CREE Chip Technology

12 Volt  
Hi-Output Series

### Lamp characteristics:

- Hi-Output CREE COB chip
- Voltage: 12V
- Warm White Color (3000K)
- Beam Angle: 25° & 40°
- Fully Dimmable
- Multi Purpose Terminal Base
- 5-Year Manufacturers Warranty against product defects
- UL-Listed and Energy Star Approved
- 25,000 Hour Average Rated Life (by Energy Star Standards)
- Will last in most normal applications for 50,000 Hours +



LED Bulbs

Code	Product Description	Voltage	Wattage	Color K	Lumens	CRI
487208	LED-AR111-12C-WW-25° 12V 12W	12V	12W	3000K	700	80+
487209	LED-AR111-12C-WW-40° 12V 12W	12V	12W	3000K	700	80+

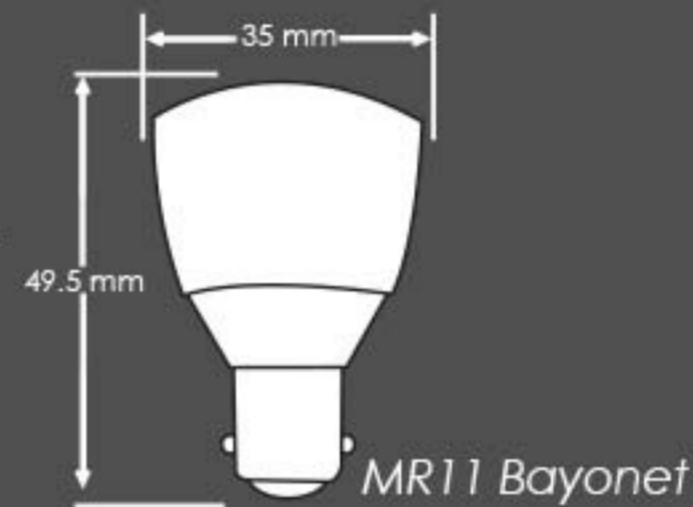
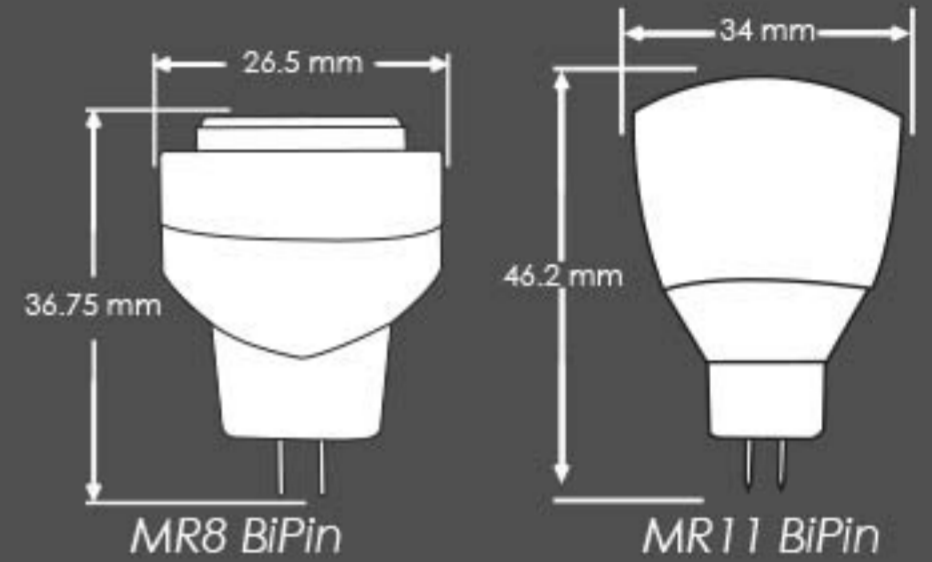


# MR8 & MR11 (Bi-Pin & Bayonet) CREE Chip Technology

12 Volt  
Hi-Output Series

## CREE Hi-Output lamp characteristics:

- Hi-Output CREE XPE chip (MR11 & R12)
- Hi-Output CREE XTE chip (MR8)
- 5-Year Manufacturers Warranty against product defects
- 25,000 Hour Average Rated Life
- Will last in most normal applications for 50,000 Hours +
- MR11 Warm Color Temp: 3000K
- MR8 Warm Color Temp: 3000K
- MR11 BiPin Dimensions: 34mm Diameter x 46.2mm MOL
- MR11 Bayonet Dimensions: 35mm Diameter x 49.5mm MOL
- MR8 BiPin Dimensions: 26.5mm Diameter x 36.75mm MOL



**E353116**  
Applies only to  
MR11 BiPin

Code	Product Description	Voltage	Wattage	Color K	Lumens	CBCP	BASE
486800	LED-MR8-2.5XTE-WW-80°	12V	2.5W	3000K	90	110	BiPin
486802	LED-MR11-2XPE-WW-25°	12V	2W	3000K	85	292	BiPin
486803	LED-MR11-2XPE-CW-25°	12V	2W	6000K	100	371	BiPin
487130	LED-R12-3XPE-WW-30° -SC	12V	3W	3000K	160	456	BA15S
487135	LED-R12-3XPE-WW-30° -DC	12V	3W	3000K	160	456	BA15D



# LED Bi-Pin

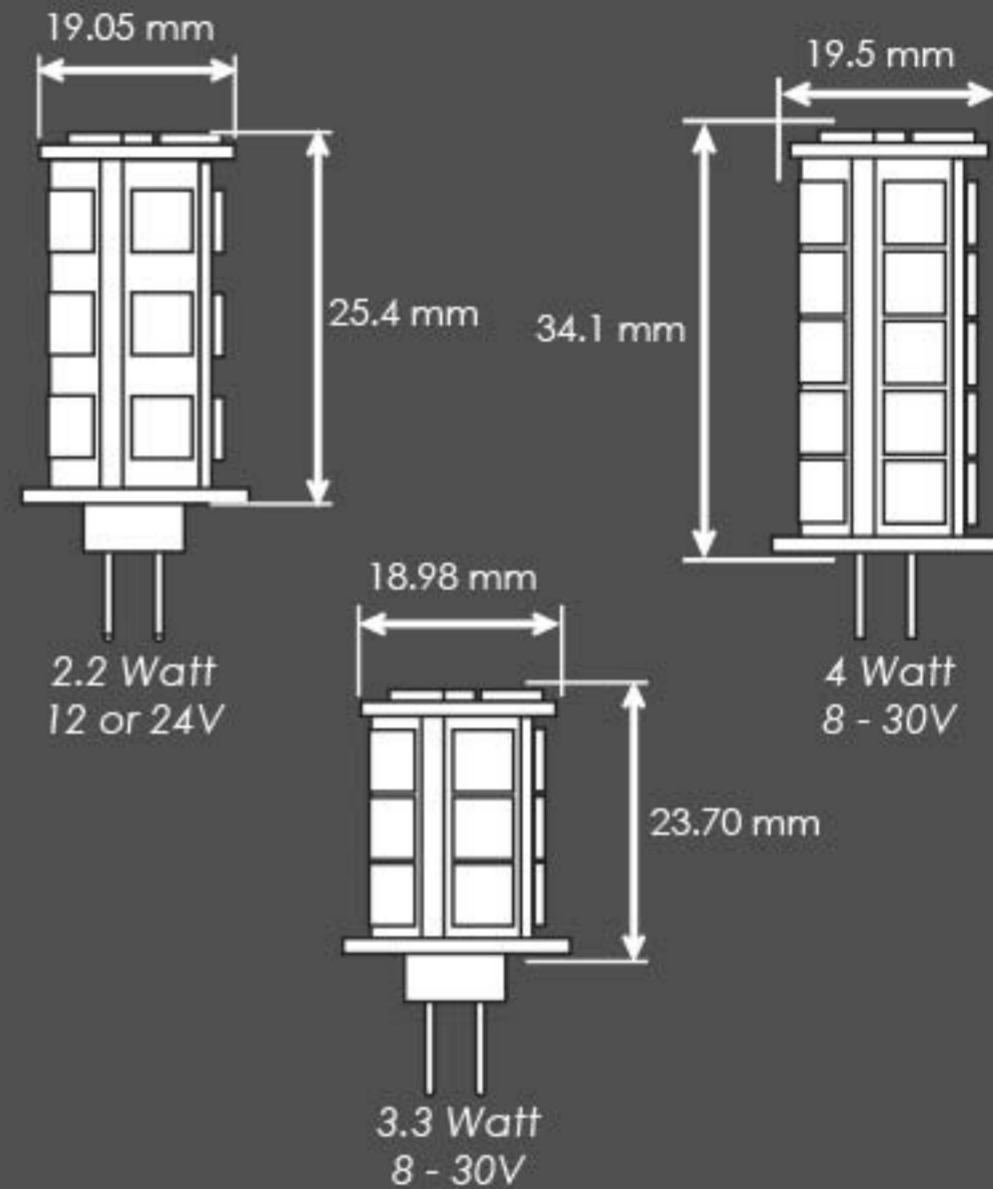
## SMD Chip Technology

12 Volt

Hi-Output Series

### Lamp characteristics:

- Hi-Output SMD chip
- IP65 Outdoor Rated
- 5-Year Manufacturers Warranty against product defects
- 25,000 Hour Average Rated Life
- Will last in most normal applications for 50,000 Hours +
- Warm Color Temp: 2800K
- Bi-Pin Dimensions:
  - 2.2W 19.05 x 38mm (MOL)
  - 3.3W 18.98 x 42mm (MOL)
  - 4W 19.5 x 35.5mm (MOL)
  - 5W 19.5 x 35.5mm (MOL)



Code	Product Description	Voltage	Wattage	Color K	Lumens	Base
487100	LED-G4-18SMD-WW	12V	2.2W	2800K	120	G4
487101	LED2E-G4-WW	24V	2.2W	2800K	120	G4
487103	LED-G4-27SMD-WW	12V/24V	3.3W	2800K	280	G4
487110	LED-G6-27SMD-WW	12V/24V	3.3W	2800K	280	GY6.35
487112	LED-G6-36SMD-WW	12V/24V	4W	2800K	364	GY6.35
487114	LED-G6-41SMD-WW	12V/24V	5W	2800K	440	GY6.35

LED Bulbs



# LED Wedge

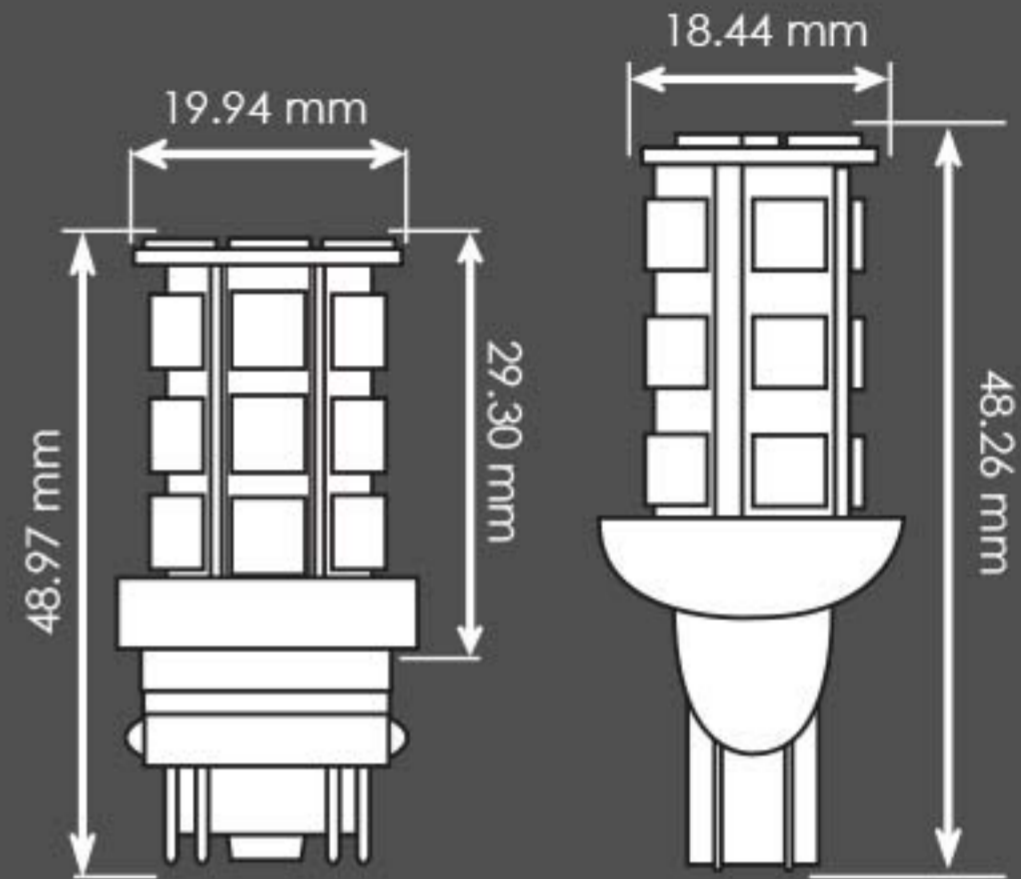
## SMD Chip Technology

12 Volt

Hi-Output Series

### Lamp characteristics:

- Hi-Output SMD chip
- IP65 Outdoor Rated
- 5-Year Manufacturers Warranty against product defects
- 25,000 Hour Average Rated Life
- Will last in most normal applications for 50,000 Hours +
- Base T5 Wedge & Plastic Wedge
- Led Source SMD Chips
- Color Temperature Warm White (2800K)



Code	Product Description	Voltage	Wattage	Color K	Lumens	Replaces
487150	LED-T5-WEDGE-13SMD-WW-12V-2W	12V	2W	2800K	170	#918
487151	LED-T5-WEDGE-20SMD-WW-12V-2.6W	12V	2.6W	2800K	220	#912
487153	LED-T5-WEDGE-27SMD-WW-12V-3.5W	12V	3.5W	2800K	300	#921
487160	LED-S8W-SMD27-WW-12V-3.5W	12V	3.5W	2800K	300	#3155
487161	LED-S8W-SMD36-WW-12V-4.5W	12V	4.5W	2800K	380	#3156





# LED Bayonet

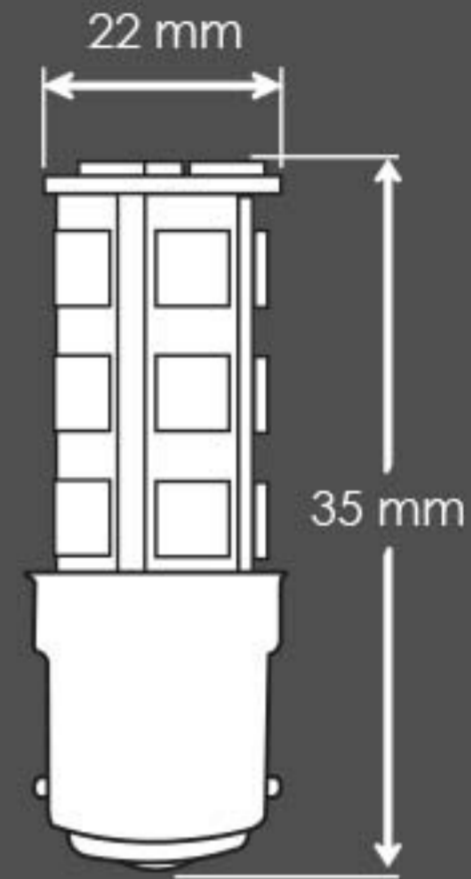
## SMD Chip Technology

12 Volt

Hi-Output Series

### Lamp characteristics:

- Hi-Output SMD chip
- IP65 Outdoor Rated
- 5-Year Manufacturers Warranty against product defects
- 25,000 Hour Average Rated Life
- Will last in most normal applications for 50,000 Hours +
- Output Color: Warm White
- Warm Color Temp: 2800K
- Dimensions: 22mm Diameter x 35mm (MOL)
- Single Contact (BA15S) & Double Contact (BA15D)



Code	Product Description	Voltage	Wattage	Color K	Lumens	Replaces
487137	LED-S8-SC-18SMD-WW-12V-2.4W	12V	2.4W	2800K	200	#93
487138	LED-S8-SC-24SMD-WW-12V-3W	12V	3W	2800K	260	#1141
487139	LED-S8-SC-30SMD-WW-12V-4W	12V	4W	2800K	260	#1141
487142	LED3E-S8-DC-WW-12V-3W	12V	3W	2800K	260	#1142

LED Bulbs



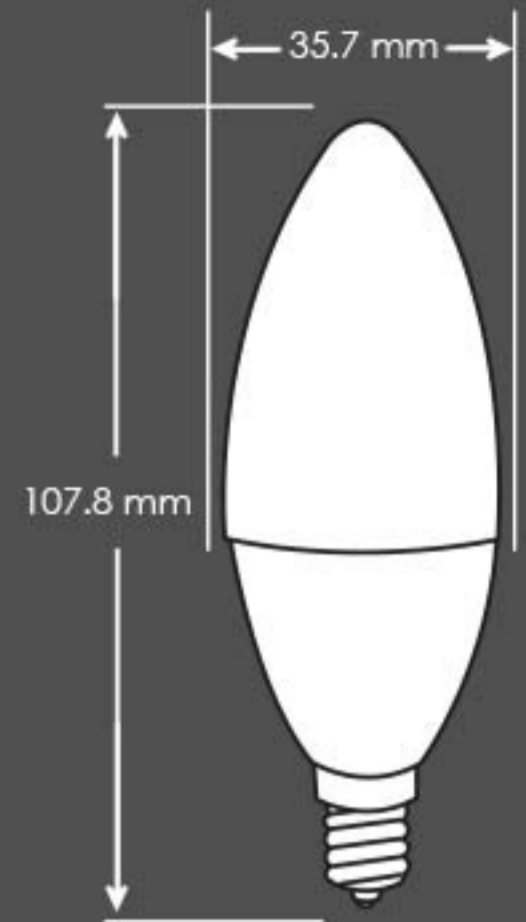
# Torpedo 4.5W

## CREE Chip Technology

12 Volt & 120 Volt  
Hi-Output Series

### Lamp characteristics:

- Super Hi-Output CREE COB chip
- Replaces up to 40W Incadecent Lamps
- Warm Color Temp: 2700K
- Lamp Dimensions:  
12 Volt = 107.2mm (MOL)  
120 Volt = 107.2mm (MOL)
- 5-Year Manufacturers Warranty against product defects
- 25,000 Hour Average Rated Life
- Will last in most normal applications for 50,000 Hours +



Code	Product Description	Voltage	Wattage	Color K	Lumens	CRI
487329	LED-CANDLE-4C-CL-WW-12V	12V	4.5W	2700K	270	80+
487332	LED-CANDLE-4C-CL-WW-120V	120V	4.5W	2700K	270	80+

# SSP

## PROFESSIONAL GRADE LOW VOLTAGE TRANSFORMERS



### Specifications:

- Stainless Steel Housing
- ETL Approved
- Primary Voltage: 110V  
With Multiple Secondary Voltage Taps  
(11-15 Volt Tap)
- Photocell Plug
- Timer Socket
- Angled Din Rail
- Breaker Feature
- 92-95% Regulation And  
Higher Efficiency
- Conforms to UL1838

Code	Product Description	Dimensions
490521	SSP100-1115-SS 100W 11-12-13-14-15V	17 1/16 x 7 3/4 x 5 1/2
490522	SSP150-1115-SS 150W 11-12-13-14-15V	17 1/16 x 7 3/4 x 5 1/2
490524	SSP300-1115-SS 300W 11-12-13-14-15V	17 1/16 x 7 3/4 x 5 1/2
490525	SSP600-1115-SS 600W 11-12-13-14-15V	17 x 7 3/4 x 5 1/2
490526	SSP900-1115-SS 900W 11-12-13-14-15V	18 3/4 x 8 1/8 x 7 1/4

Low Voltage Transformers

# SSP

## PROFESSIONAL GRADE LOW VOLTAGE TRANSFORMERS



### Specifications:

- Stainless Steel Housing
- ETL Approved
- Primary Voltage: 110V With Multiple Secondary Voltage Taps
- Photocell Plug
- Timer Socket
- Breaker Feature
- Angled Din Rail
- 92-95% Regulation And Higher Efficiency
- Conforms to UL 2108

Code	Product Description	Dimensions
490530	SSP400-1117-SS 400W 11-12-13-14-15-16-17V	17 1/16 x 7 3/4 x 5 1/2
490531	SSP600-1218-SS 600W 12-13-14-15-16-17-18V	17 1/8 x 7 3/4 x 5 5/8
490532	SSP900-1220-SS 900W 12-13-14-15-16-17-18-20V	18 3/4 x 8 1/8 x 7 1/4

# EST - LOW VOLTAGE TRANSFORMER



## Specifications:

- 200W Outdoor Low Voltage Transformer
- Automatic or 1-9 Hour Timer Shutoff Option
- Breaker Feature
- Powder Coated Aluminum Housing
- UL Approved
- Use With Low Voltage Landscape Fixtures
- Primary Voltage 110V and Secondary Voltage 12V
- 12 Volt Tap With 1 Common
- 92-95% Regulation & Higher Efficiency
- Conforms To UL 1838

Code	Product Description	Dimensions
490562	EST-200-12V TRANSFORMER	9 3/16 x 4 3/4 x 4 7/8

Low Voltage Transformers

# UWT - LOW VOLTAGE TRANSFORMER



## Specifications:

- 40W Low Voltage Transformer
- Automatic Photo Cell Control With 4, 6 or 8 Hour Shutoff Options
- Suitable For Use With Low Voltage Submersible or Landscape Fixtures
- On/off Switch
- Internal Surge Protector
- Powder Coated Aluminum Housing
- UL Approved
- Use With Low Voltage Landscape Fixtures
- 12 Volt Tap With 1 Common
- 92-95% Regulation & Higher Efficiency
- Conforms To UL 1838

Code	Product Description	Dimensions
490570	UWT-40-12V SUBMERSIBLE FIXTURE RATED	6 1/4 x 3 9/16 x 2 5/8

# DTA - FLYING LEAD

## PROFESSIONAL GRADE LOW VOLTAGE TRANSFORMERS



### Specifications:

- Stainless Steel Housing
- ETL Approved
- Wide Tap Range  
(11-15 Volt Taps)
- Breaker Feature
- 92-95% Regulation & Higher Efficiency
- Conforms to UL 1838

Low Voltage Transformers

Code	Product Description	Dimensions
490502	DTA-100-1115-SS 100W 11-12-13-14-15V	10 3/4 x 4 3/8 x 4
490503	DTA-150-1115-SS 150W 11-12-13-14-15V	10 3/4 x 4 3/8 x 4
490505	DTA-300-1115-SS 300W 11-12-13-14-15V	10 3/4 x 4 3/8 x 4
490506	DTA-600-1115-SS 600W 11-12-13-14-15V	10 3/4 x 4 3/8 x 4



# **Dauer**™ *Lampen*



Version 05.13.15

800.883.2590

10100 NW 116th Way #14  
Medley, FL 33178

[www.DauerLampen.com](http://www.DauerLampen.com)