

Catalog 2015

**Dauer**  
**LED**



*Innovative LED Lighting*

**Dauer Manufacturing** is proud to present our remarkable line of LED light sources. Our DauerLED line of LED products have been engineered to the strictest possible standards to achieve the highest lumens per watt ratings, and the best lamp-to-lamp color consistency in the industry. DauerLED is truly the new "**Major Brand**" in LED.

Each and every lamp is quality tested in our factory to ensure they meet or exceed all engineering specifications. Many of our DauerLED products are UL-Listed, and have gone through rigorous third party testing including LM79, Energy Star, DLC (Design Lights Consortium), and even the Department of Energy Sponsored "Truth in Labeling" and Caliper testing programs.

**DauerLED** is on the forefront of LED technology with our new 8W MR16 & GU10 lamps that are specifically designed to replace 50W Halogen lamps, our new IP65 Waterproof PAR36 & PAR38 lamps, DLC approved LED Tubes and Panels, and the most complete line of LED lamps specifically designed for the Landscape Lighting industry. DauerLED is constantly improving our products to continue delivering the very best value in the LED market.

## **SOME FACTS ABOUT LED**

**LED Lamp Life;** Many companies list rated life expectancies of up to 100,000 hours. They can do this because LED's are engineered to NEVER burn out, they just get dimmer and dimmer over their life. The Department of Energy states that LED manufacturers shall consider end of life when the LED light source has lost 30% of its light output, which is at approximately 30,000 hours. In fact, Energy Star will only allow an LED lamp to be rated at 25,000 hours to carry their prominent label.

**Quality Differences;** There can be a huge disparity in quality from one LED lamp to the next. There are a multitude of chip manufacturers in the market, and both light output and color quality can vary greatly. Cree is the de facto standard in LED chip quality, and produces up to 50% more lumens than generic chips. Even Cree has a fairly wide offering of chips that vary in quality. We recommend their top of the line COB and XBD chips depending on the specific application.

**LED Binning;** Even the same identical chip can vary greatly in quality. Chips are separated into "bins" by quality, just as other electronic components are, and the discrepancy in light output can be dramatic. For example, the lumen difference between a Cree XPE chip from the top bin (Q3) and the lowest bin (P3) can be up to 27%! All Dauer LED lamps use chips selected from only the top bins of each type.

**Color Temperature;** LED's work like an RGB television set. There is not simply a "Warm White or Cool White" LED chip, a mixture of colors are used to create the desired color temperature. Because of this, color Kelvin can vary greatly from lamp to lamp. Many generic chip manufacturers can only guarantee a 500° degree difference from chip to chip, meaning you may get one warm white lamp in 2700K and the next one may be 3200K. Cree guarantees no more than a 100° disparity from chip to chip in the warm white range, by far the best tolerance in the industry. Because of the way Color Temperature is achieved, LED lamps in the "Cool" or higher color ranges produce substantially more light than lamps in the "Warm" ranges.

**Color Rendering Index;** (or CRI) is important in many retail and design applications where the true color of what is being illuminated is important. While halogen is unsurpassed at a 100% CRI (meaning colors appear identical to what they would look like under natural sunlight), LED's are improving dramatically. Our Cree XBD Warm White MR16's have a CRI above 85, and our Pro-Accent series LED PAR lamps have a CRI above 80, suitable for all but the most stringent applications.

**Dauer**  
LED

Over  
500  
Lumens



C  US  
E353116



# MR16 8W

## CREE Chip Technology

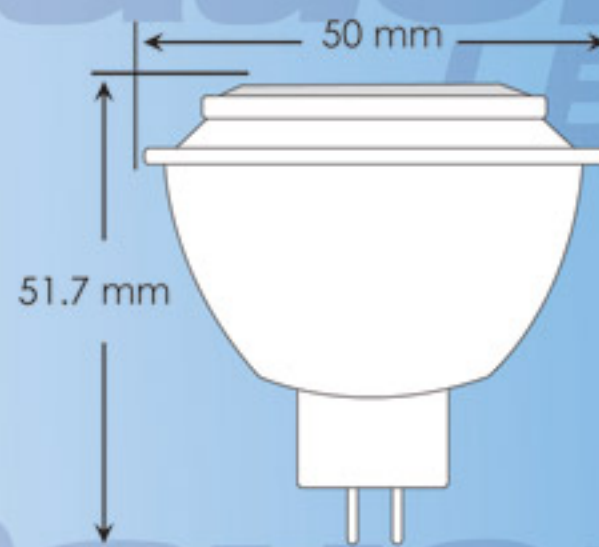
12 Volt

Hi-Output Series



### Hi-Output chip characteristics:

- Fully Dimmable (Compatible with over 90% of dimming systems)
- 5-Year Manufacturers Warranty against product defects
- UL-Listed and Energy Star Approved
- 25,000 Hour Average Rated Life (by Energy Star Standards)
- Will last in most normal applications for 50,000 Hours +
- Lamp Dimensions: 50mm diameter x 51.7mm MOL



Code	Product Description	Voltage	Wattage	Color K	Lumens	CBCP	CRI
487000	LED-MR16-8SC-27K-25°	12V	8W	2700K	455	1945	80+
487001	LED-MR16-8SC-WW-25°	12V	8W	3000K	465	1988	80+
487002	LED-MR16-8SC-CW-25°	12V	8W	5000K	525	2335	70+
487003	LED-MR16-8SC-NW-25°	12V	8W	4000K	510	2104	75+
487004	LED-MR16-8SC-27K-40°	12V	8W	2700K	455	1100	80+
487005	LED-MR16-8SC-WW-40°	12V	8W	3000K	465	1150	80+
487006	LED-MR16-8SC-CW-40°	12V	8W	5000K	525	1343	70+
487007	LED-MR16-8SC-NW-40°	12V	8W	4000K	510	1325	75+



Over  
400  
Lumens



# MR16 7W PHILIPS Chip Technology

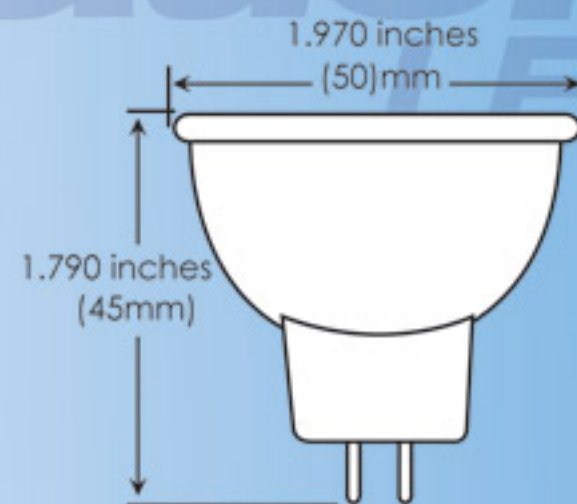
12 Volt

Hi-Output Series



## Philips Hi-Output chip characteristics:

- Fully Dimmable (Compatible with over 90% of dimming systems)
- 5-Year Manufacturers Warranty against product defects
- UL-Listed (E353116)
- 25,000 Hour Average Rated Life
- Will last in most normal applications for 50,000 Hours +
- Lamp Dimensions: 50mm diameter x 45mm MOL



Code	Product Description	Voltage	Wattage	Color K	Lumens	CBCP	CRI
486792	LED-MR16-7P-27K-40°	12V	7W	2700K	380	1000	80+
486857	LED-MR16-7P-WW-40°	12V	7W	3000K	400	1025	80+
486858	LED-MR16-7P-CW-40°	12V	7W	6000K	480	1060	70+
486859	LED-MR16-7P-NW-40°	12V	7W	4000K	440	1040	75+



Available in  
all beam  
spreads

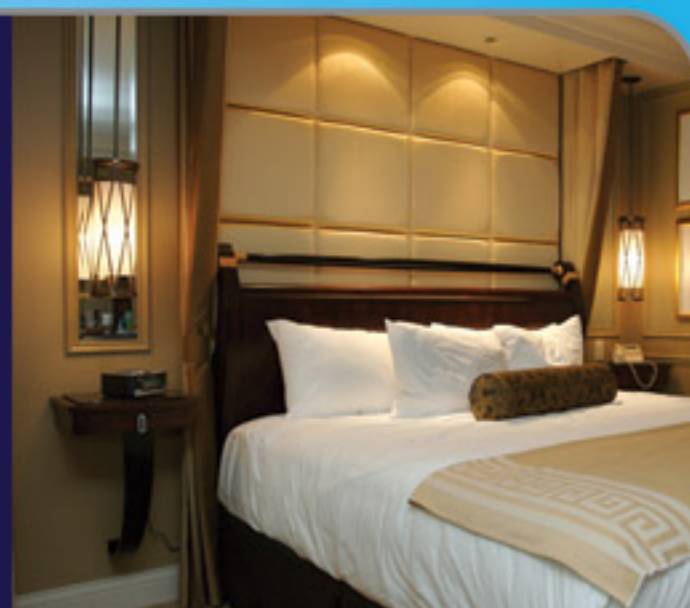


# MR16 5W

## CREE XBD Chip Technology

12 Volt  
24 Volt also available

Hi-Output Series



### Cree XBD Hi-Output chip characteristics:

- Fully Dimmable (Compatible with over 90% of dimming systems)
- 5-Year Manufacturers Warranty against product defects
- UL-Listed (E353116)
- 25,000 Hour Average Rated Life
- Will last in most normal applications for 50,000 Hours +
- Lamp Dimensions: 50mm diameter x 51mm MOL



Code	Product Description	Voltage	Wattage	Color K	Lumens	CBCP	CRI
486785	LED-MR16-5XBD-27K-15°	12V	5W	2700K	300	1690	85+
486828	LED-MR16-5XBD-WW-15°	12V	5W	3000K	320	1694	85+
486829	LED-MR16-5XBD-CW-15°	12V	5W	6000K	360	1725	70+
486786	LED-MR16-5XBD-27K-25°	12V	5W	2700K	300	1084	85+
486831	LED-MR16-5XBD-WW-25°	12V	5W	3000K	320	1098	85+
486832	LED-MR16-5XBD-CW-25°	12V	5W	6000K	360	1392	70+
486833	LED-MR16-5XBD-NW-25°	12V	5W	4000K	340	1112	75+
486787	LED-MR16-5XBD-27K-40°	12V	5W	2700K	300	820	85+
486818	LED-MR16-5XBD-WW-40°	12V	5W	3000K	320	818	85+
486819	LED-MR16-5XBD-CW-40°	12V	5W	6000K	360	824	70+
486824	LED-MR16-5XBD-NW-40°	12V	5W	4000K	340	835	75+
486788	LED-MR16-5XBD-27K-60°	12V	5W	2700K	300	410	85+
486825	LED-MR16-5XBD-WW-60°	12V	5W	3000K	320	420	85+
486826	LED-MR16-5XBD-CW-60°	12V	5W	6000K	360	440	70+
486827	LED-MR16-5XBD-NW-60°	12V	5W	4000K	340	435	75+
486789	LED-MR16-5XBD-27K-100°	12V	5W	2700K	300	205	85+
486834	LED-MR16-5XBD-WW-100°	12V	5W	3000K	320	205	85+
486835	LED-MR16-5XBD-CW-100°	12V	5W	6000K	360	201	70+



## MR16 4W CREE XBD Chip Technology

12 Volt

Reduced Power Series



### Cree XBD chip characteristics:

- Fully Dimmable (Compatible with over 90% of dimming systems)
- 5-Year Manufacturers Warranty against product defects
- UL-Listed (E353116)
- 25,000 Hour Average Rated Life
- Will last in most normal applications for 50,000 Hours +
- Lamp Dimensions: 50mm Diameter x 52mm MOL



Code	Product Description	Voltage	Wattage	Color K	Lumens	CBCP	CRI
486780	LED-MR16-4XBD-27K-15°	12V	4W	2700K	240	1352	85+
487054	LED-MR16-4XBD-WW-15°	12V	4W	3000K	250	1355	85+
487055	LED-MR16-4XBD-CW-15°	12V	4W	6000K	290	1380	70+
486781	LED-MR16-4XBD-27K-25°	12V	4W	2700K	240	867	85+
487057	LED-MR16-4XBD-WW-25°	12V	4W	3000K	250	878	85+
487058	LED-MR16-4XBD-CW-25°	12V	4W	6000K	290	1114	70+
486782	LED-MR16-4XBD-27K-40°	12V	4W	2700K	240	656	85+
487060	LED-MR16-4XBD-WW-40°	12V	4W	3000K	250	654	85+
487061	LED-MR16-4XBD-CW-40°	12V	4W	6000K	290	659	70+
486783	LED-MR16-4XBD-27K-60°	12V	4W	2700K	240	330	85+
487063	LED-MR16-4XBD-WW-60°	12V	4W	3000K	250	340	85+
487064	LED-MR16-4XBD-CW-60°	12V	4W	6000K	290	360	70+
486784	LED-MR16-4XBD-27K-100°	12V	4W	2700K	240	340	85+
487066	LED-MR16-4XBD-WW-100°	12V	4W	3000K	250	340	85+



# MR16 2W CREE XBD Chip Technology

12 Volt

Extra Low Power Series



### Cree XBD chip characteristics:

- Fully Dimmable (Compatible with over 90% of dimming systems)
- 5-Year Manufacturers Warranty against product defects
- UL-Listed (E353116)
- 25,000 Hour Average Rated Life
- Will last in most normal applications for 50,000 Hours +
- Lamp Dimensions: 50mm Diameter x 52mm MOL



Code	Product Description	Voltage	Wattage	Color K	Lumens	CBCP	CRI
487039	LED-MR16-2XBD-27K-25°	12V	2W	2700K	160	520	85+
487040	LED-MR16-2XBD-WW-25°	12V	2W	3000K	160	527	85+
487043	LED-MR16-2XBD-27K-40°	12V	2W	2700K	160	394	85+
487044	LED-MR16-2XBD-WW-40°	12V	2W	3000K	160	392	85+
487047	LED-MR16-2XBD-27K-60°	12V	2W	2700K	160	198	85+
487048	LED-MR16-2XBD-WW-60°	12V	2W	3000K	160	204	85+
487051	LED-MR16-2XBD-27K-100°	12V	2W	2700K	160	204	85+
487052	LED-MR16-2XBD-WW-100°	12V	2W	3000K	160	204	85+

7W = 30W  
8.5W = 45W  
10W = 60W

**IP65**  
OUTDOOR RATED



## PAR36 CREE Chip Technology

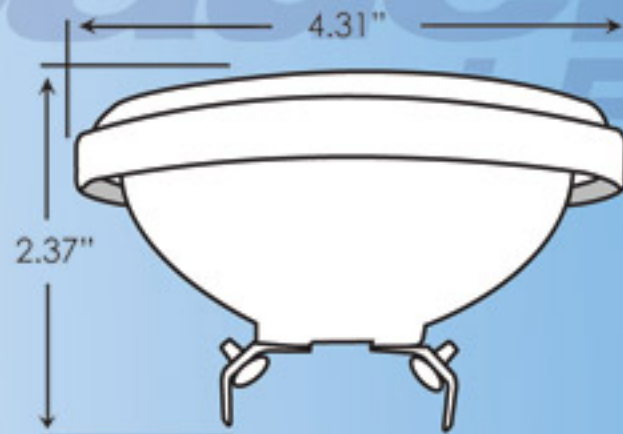
12 Volt

Hi-Output Series



### Cree Hi-Output chip characteristics:

- "IP65" Rated (Weatherproof)
- The Cree based 12V PAR36 lamps are NON-DIMMABLE
- 5-Year Manufacturers Warranty Against Product Defects
- Will last in most normal applications for 50,000 Hours +
- 25,000 Hour Average Rated Life
- Warm White Color (3000K)
- Multi-Purpose Terminal Base



PAR36 7W

Code	Product Description	Voltage	Wattage	Color K	Lumens	CBCP	CRI
487234	LED-PAR36-7C-WW-25°	12V	7W	3000K	400	959	80+
487237	LED-PAR36-7C-WW-60°	12V	7W	3000K	400	959	80+
487215	LED-PAR36-6XBD-WW-30°	12V	6W	3000K	340	959	80+
487218	LED-PAR36-8.5XBD-WW-30°	12V	8.5W	3000K	537	2037	80+
487231	LED9C-PAR36-MERC-30° "IP65"	12V	9W	6000K	780	6025	80+
487240	LED-PAR36-10C-WW-25°	12V	10W	3000K	580	1390	80+
487243	LED-PAR36-10C-WW-60°	12V	10W	3000K	580	1390	80+

**Dauer**  
LED

UL US  
E353116

Replaces  
Halogen  
AR111



# AR111 LED 12W COB Chip Technology

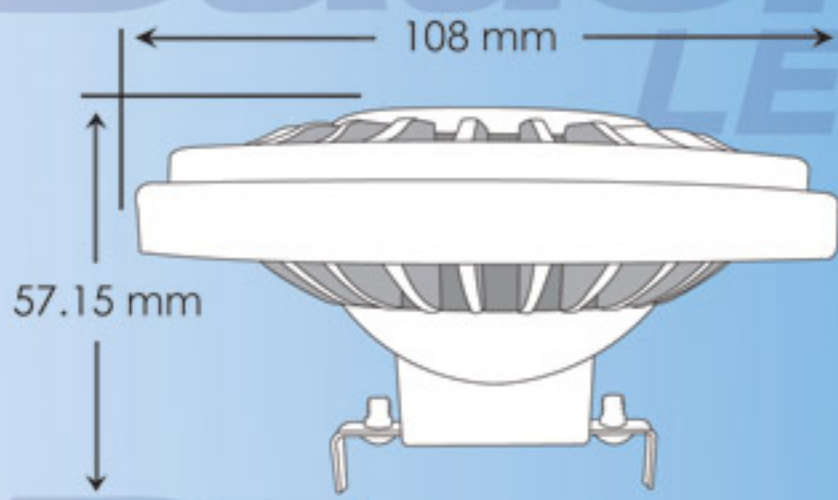
12 Volt

Hi-Output Series



## COB Hi-Output chip characteristics:

- Output Color: Warm White
- Voltage: 12V
- Warm Color Temp: 3000K
- Beam Angle: 25° & 40°
- Fully Dimmable
- Multi Purpose Terminal Base
- 5-Year Manufacturers Warranty against product defects
- UL-Listed and Energy Star Approved
- 25,000 Hour Average Rated Life (by Energy Star Standards)
- Will last in most normal applications for 50,000 Hours +



**Dauer**  
LED

Code	Product Description	Voltage	Wattage	Color K	Lumens	CRI
487208	LED-AR111-12C-WW-25° 12V 12W	12V	12W	3000K	700	80+
487209	LED-AR111-12C-WW-40° 12V 12W	12V	12W	3000K	700	80+

MR11 Bayonet



MR11 BiPin



MR8 BiPin



Replaces  
GBF / 1383 /  
or MR11

## MR8 & MR11 (Bi-Pin & Bayonet) CREE Chip Technology

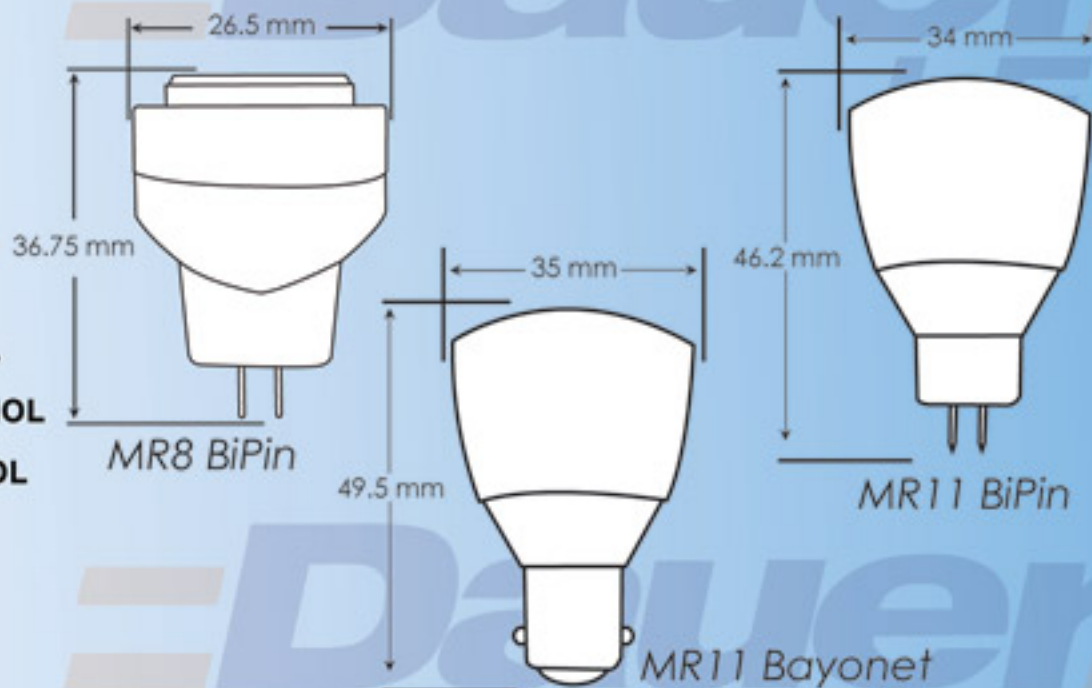
12 Volt

Hi-Output Series



### Cree XPE Hi-Output chip characteristics:

- 5-Year Manufacturers Warranty against product defects
- 25,000 Hour Average Rated Life
- Will last in most normal applications for 50,000 Hours +
- MR11 Warm Color Temp: 3000K
- MR8 Warm Color Temp: 3000K
- MR11 BiPin Dimensions: 34mm Diameter x 46.2mm MOL
- MR11 Bayonet Dimensions: 35mm Diameter x 49.5mm MOL
- MR8 BiPin Dimensions: 26.5mm Diameter x 36.75mm MOL



Code	Product Description	Voltage	Wattage	Color K	Lumens	CBCP	Base
486800	LED-MR8-2.5XTE-WW-80°	12V	2.5W	3000K	90	110	BiPin
486802	LED-MR11-2XPE-WW-25°	12V	2W	3000K	85	292	BiPin
486803	LED-MR11-2XPE-CW-25°	12V	2W	6000K	100	371	BiPin
487130	LED-R12-3XPE-WW-30° -SC	12V	3W	3000K	160	456	BA15S
487135	LED-R12-3XPE-WW-30° -DC	12V	3W	3000K	160	456	BA15D

12V & 24V  
Operation



**IP65**  
OUTDOOR RATED

## LED Bi-Pin SMD Chip Technology

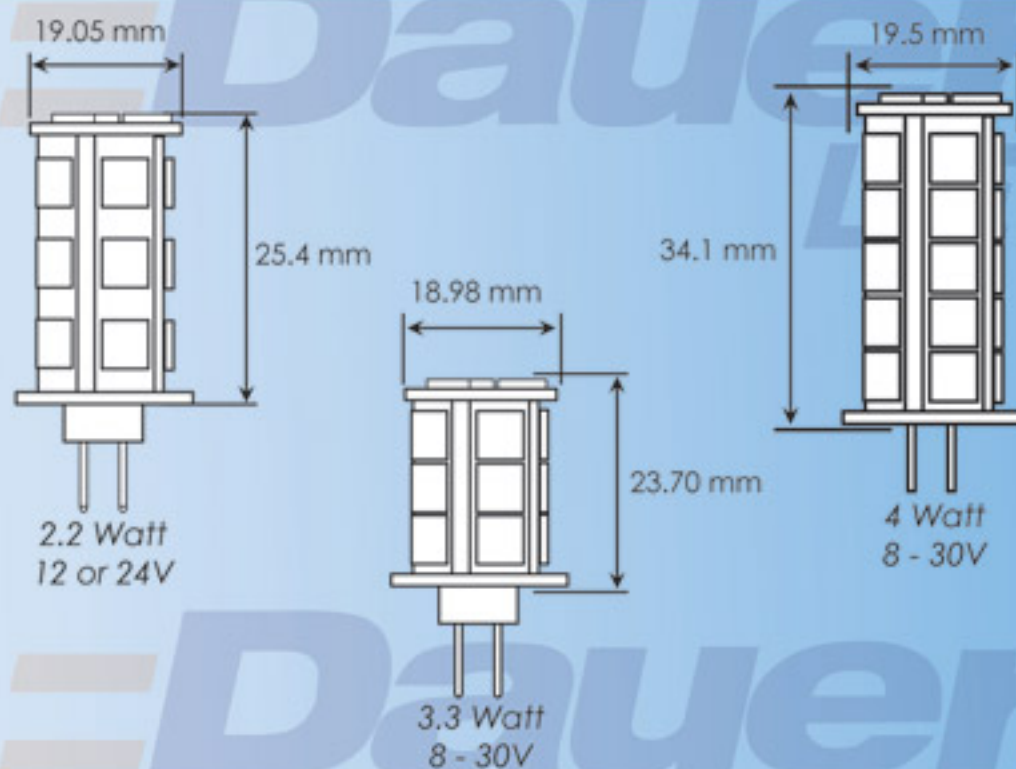
12 Volt & 24 Volt

Hi-Output Series



### SMD Hi-Output chip characteristics:

- IP65 Outdoor Rated
- 5-Year Manufacturers Warranty against product defects
- 25,000 Hour Average Rated Life
- Will last in most normal applications for 50,000 Hours +
- Warm Color Temp: 2800K
- Bi-Pin Dimensions:
  - 2.2W 19.05 x 38mm (MOL)
  - 3.3W 18.98 x 42mm (MOL)
  - 4W 19.5 x 35.5mm (MOL)
  - 5W 19.5 x 35.5mm (MOL)



Code	Product Description	Voltage	Wattage	Color K	Lumens	Base
487100	LED-G4-18SMD-WW	12V	2.2W	2800K	120	G4
487101	LED2E-G4-WW	24V	2.2W	2800K	120	G4
487103	LED-G4-27SMD-WW	12V/24V	3.3W	2800K	280	G4
487110	LED-G6-27SMD-WW	12V/24V	3.3W	2800K	280	GY6.35
487112	LED-G6-36SMD-WW	12V/24V	4W	2800K	364	GY6.35
487114	LED-G6-41SMD-WW	12V/24V	5W	2800K	440	GY6.35

Replaces  
912, 918, 921,  
3155, 3156



**IP65**  
OUTDOOR RATED

## LED Wedge SMD Chip Technology

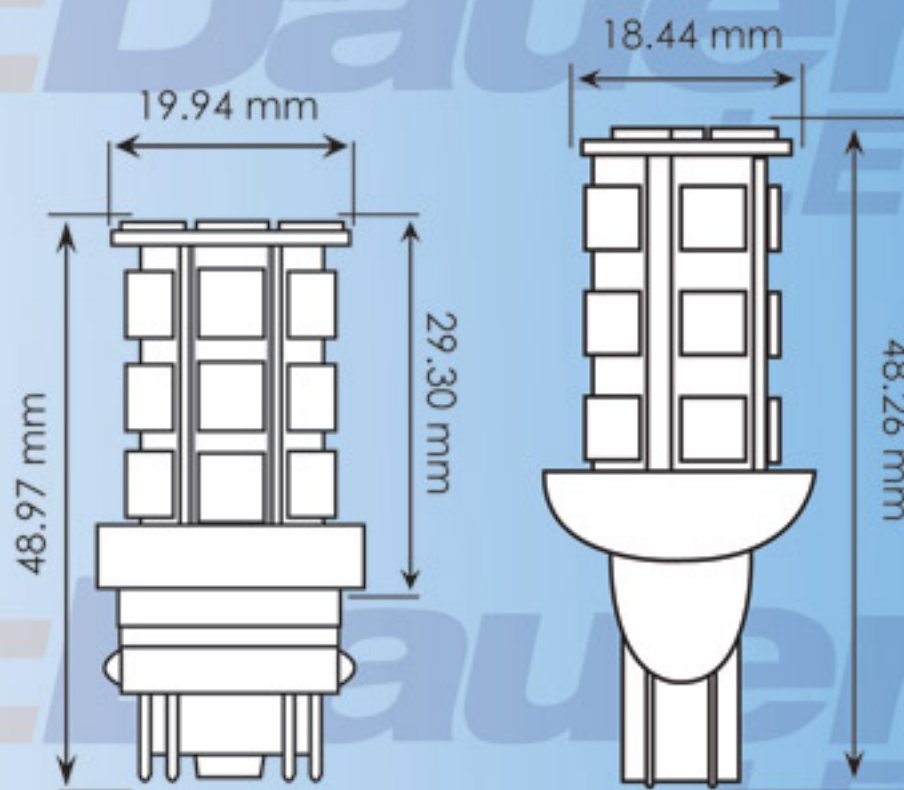
12 Volt

Hi-Output Series



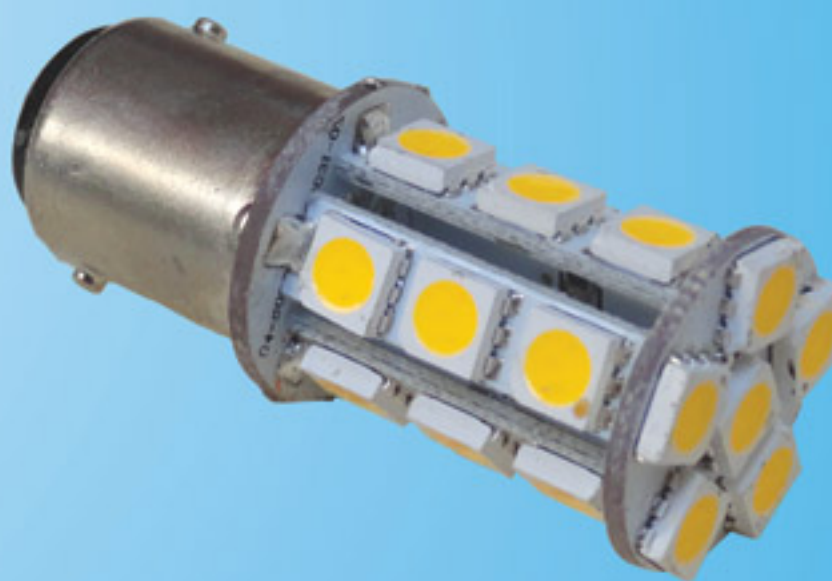
### SMD Hi-Output chip characteristics:

- IP65 Outdoor Rated
- 5-Year Manufacturers Warranty against product defects
- 25,000 Hour Average Rated Life
- Will last in most normal applications for 50,000 Hours +
- Base T5 Wedge & Plastic Wedge
- Led Source SMD Chips
- Color Temperature Warm White (2800K)
- Input Voltage 10-15V



Code	Product Description	Voltage	Wattage	Color K	Lumens	Replaces
487150	LED-T5-WEDGE-13SMD-WW-12V-2W	12V	2W	2800K	170	#918
487151	LED-T5-WEDGE-20SMD-WW-12V-2.6W	12V	2.6W	2800K	220	#912
487153	LED-T5-WEDGE-27SMD-WW-12V-3.5W	12V	3.5W	2800K	300	#921
487160	LED-S8W-SMD27-WW-12V-3.5W	12V	3.5W	2800K	300	#3155
487161	LED-S8W-SMD36-WW-12V-4.5W	12V	4.5W	2800K	380	#3156

Single Contact & Double Contact



**IP65**  
OUTDOOR RATED

## Bayonet LED SMD Chip Technology

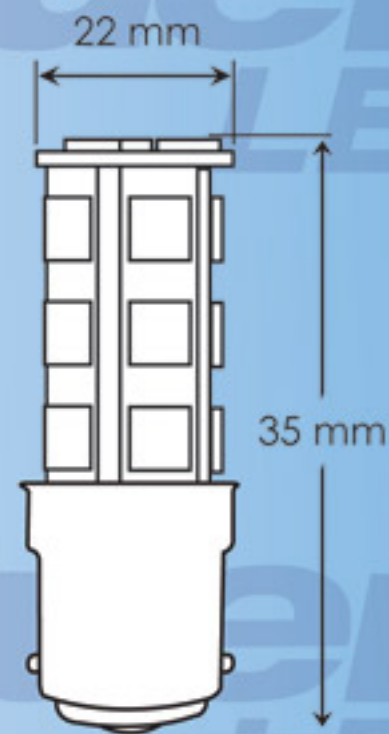
12 Volt

Hi-Output Series



### SMD Hi-Output chip characteristics:

- IP65 Outdoor Rated
- 5-Year Manufacturers Warranty against product defects
- 25,000 Hour Average Rated Life
- Will last in most normal applications for 50,000 Hours +
- Output Color: Warm White
- Voltage: 10-15V
- Warm Color Temp: 2800K
- Beam Angle: 360°
- Dimensions: 22mm Diameter x 35mm (MOL)
- Single Contact (BA15S) & Double Contact (BA15D)



Code	Product Description	Voltage	Wattage	Color K	Lumens	Replaces
487137	LED-S8-SC-18SMD-WW-12V-2.4W	12V	2.4W	2800K	200	#93
487138	LED-S8-SC-24SMD-WW-12V-3W	12V	3W	2800K	260	#1141
487139	LED-S8-SC-30SMD-WW-12V-4W	12V	4W	2800K	260	#1141
487142	LED3E-S8-DC-WW-12V-3W	12V	3W	2800K	260	#1142

Replaces  
25W & 40W  
Halogen



## LED G9 SMD Chip Technology

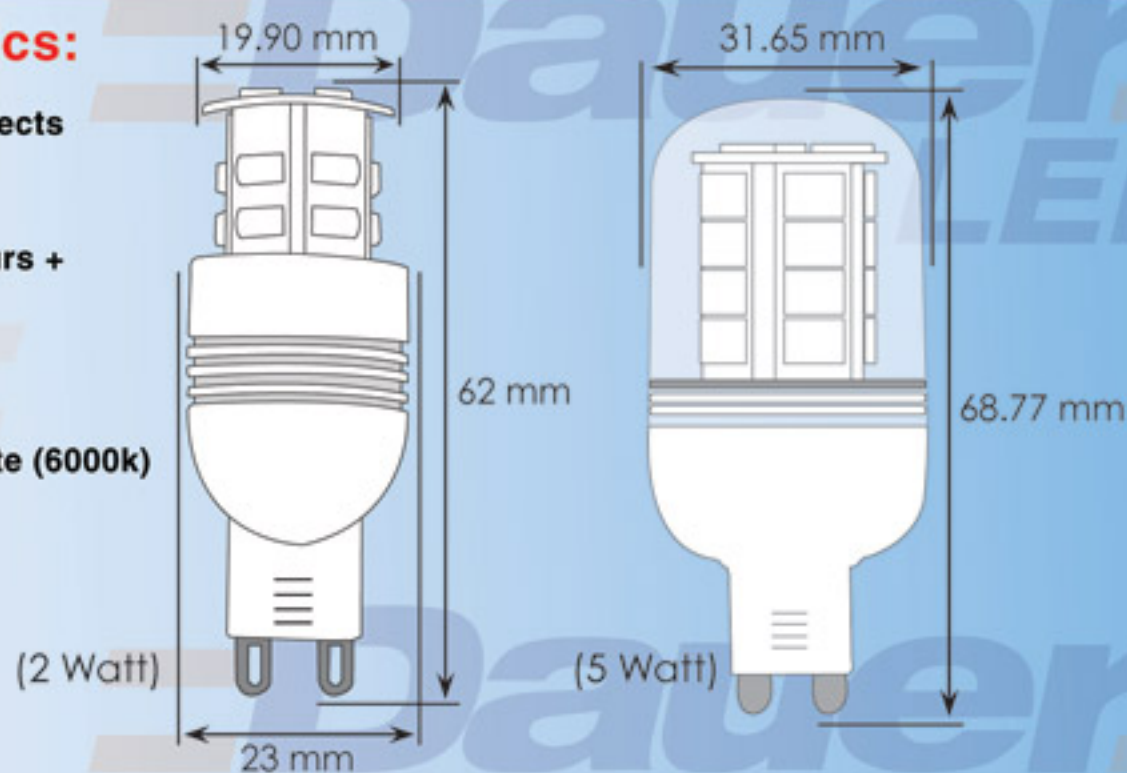
120 Volt

Hi-Output Series



### SMD Hi-Output chip characteristics:

- 5-Year Manufacturers Warranty against product defects
- 25,000 Hour Average Rated Life
- Will last in most normal applications for 50,000 Hours +
- G9 Base
- Led Source SMD Chips
- Color Temperature Warm White (3000k) & Cool White (6000k)
- Input Voltage 120V



Code	Product Description	Voltage	Wattage	Color K	Lumens
487382	LED-G9-15SMD-WW-120V-2W	120V	2W	3000K	250
487383	LED-G9-15SMD-CW-120V-2W	120V	2W	6000K	275
487388	LED-G9-38SMD-WW-120V-5W	120V	5W	3000K	450
487389	LED-G9-38SMD-CW-120V-5W	120V	5W	6000K	490

Fully Dimmable



## Candelabra Base Torpedo Lamps

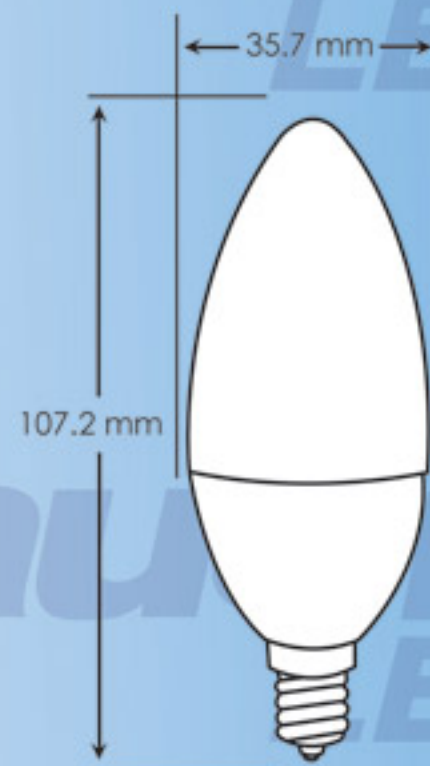
12 Volt & 120 Volt

Hi-Output Series



### Super Hi-Output chip characteristics:

- Replaces up to 40W Incandescent Lamps
- CREE Chip Technology
- Warm Color Temp: 2700K
- Cool Color Temp: 5000K
- Lamp Dimensions:  
12 Volt = 107.2mm (MOL)  
120 Volt = 107.2mm (MOL)
- 5-Year Manufacturers Warranty against product defects
- 25,000 Hour Average Rated Life
- Will last in most normal applications for 50,000 Hours +
- 230 Volt available upon request



# Dauer

Code	Product Description	Voltage	Wattage	Color K	Lumens	CRI
487329	LED-CANDLE-4C-CL-WW-12V	12V	4.5W	2700K	270	80+
487332	LED-CANDLE-4C-CL-WW-120V	120V	4.5W	2700K	270	80+
487333	LED-CANDLE-4C-CL-CW-120V	120V	4.5W	5000K	290	70+



Replaces  
50W R20



# BR20 LED 7W

## Philips Chip Technology

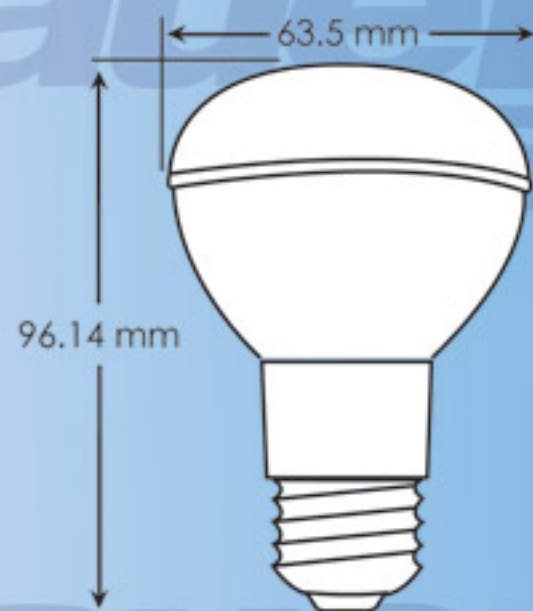
120 Volt

Hi-Output Series



### Philips Hi-Output chip characteristics:

- Output Color: Warm White
- Voltage: 120V
- Warm Color Temp: 2700K
- Ultra Warm Color Temp: 2400K
- Beam Angle: 120°
- Fully Dimmable
- Medium Base
- 5-Year Manufacturers Warranty against product defects
- UL-Listed and Energy Star Approved
- 25,000 Hour Average Rated Life (by Energy Star Standards)
- Will last in most normal applications for 50,000 Hours +
- 230 Volt available upon request



Code	Product Description	Voltage	Wattage	Color K	Lumens	CRI
486922	LED-BR20-7P-WW-120° 120V 7W	120V	7W	2700K	500	80+
486923	LED-BR20-7P-XWW-120° 120V 7W	120V	7W	2400K	500	80+

**Dauer**  
LED

UL US  
E353116

Replaces  
up to  
100W BR30



## BR30 LED 9W & 12W Philips Chip Technology

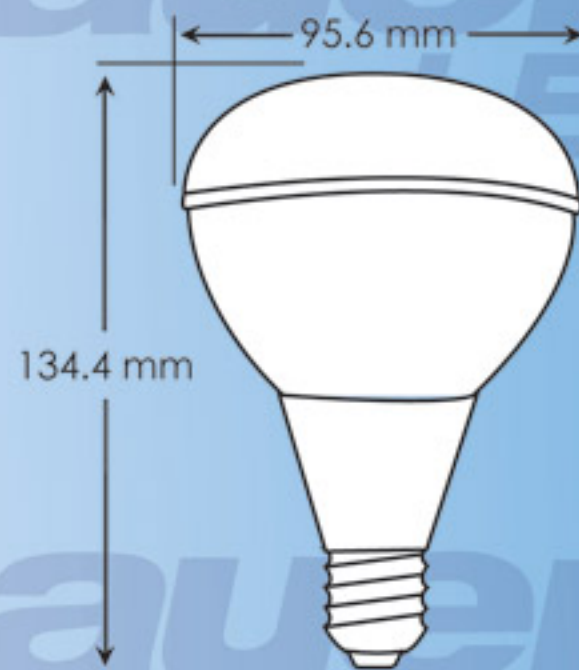
120 Volt

Hi-Output Series



### Hi-Output chip characteristics:

- Output Color: Warm White & Cool White
- Voltage: 120V
- Color Temp: Warm 2700K, Cool 5000k & 6000K
- Beam Angle: 120°
- Fully Dimmable
- 5-Year Manufacturers Warranty against product defects
- UL-Listed and Energy Star Approved
- 25,000 Hour Average Rated Life (by Energy Star Standards)
- Will last in most normal applications for 50,000 Hours +
- 230 Volt available upon request



Code	Product Description	Voltage	Wattage	Color K	Lumens	CRI
486934	LED-BR30-9CC-WW-120° 120V 9W	120V	9W	2700K	650	80+
486935	LED-BR30-9CC-CW-120° 120V 9W	120V	9W	5000K	700	70+
486925	LED-BR30-12P-WW-120° 120V 12W	120V	12W	2700K	850	80+
486926	LED-BR30-12P-CW-120° 120V 12W	120V	12W	6000K	930	70+



Replaces up to 150W BR40



# BR40 LED 15W CREE COB Chip Technology

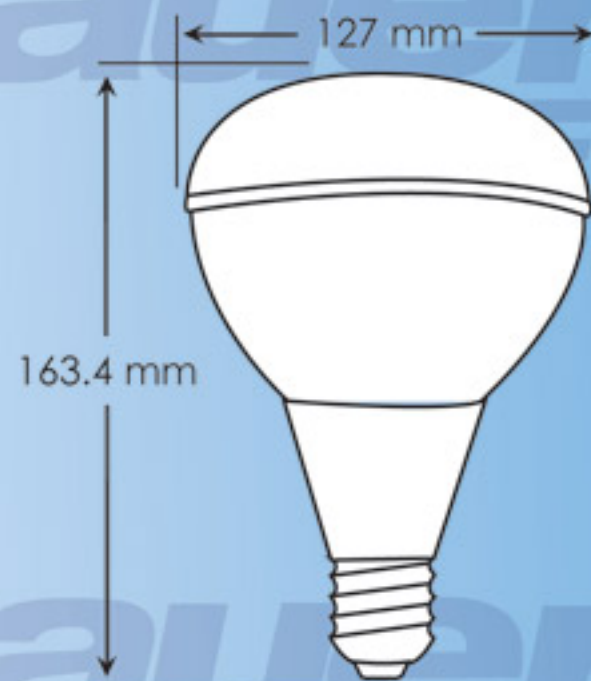
120 Volt

Hi-Output Series



## COB Hi-Output chip characteristics:

- Output Color: Warm White & Cool White
- Voltage: 120V
- Warm Color Temp: 2700K
- Cool Color Temp: 5000K
- Beam Angle: 120°
- Fully Dimmable
- 5-Year Manufacturers Warranty against product defects
- UL-Listed and Energy Star Approved
- 25,000 Hour Average Rated Life (by Energy Star Standards)
- Will last in most normal applications for 50,000 Hours +
- 230 Volt available upon request



Code	Product Description	Voltage	Wattage	Color K	Lumens	CRI
486930	LED-BR40-15SC-WW-120°	120V	15W	2700K	1000	80+
486931	LED-BR40-15SC-CW-120°	120V	15W	5000K	1160	70+

**Dauer**  
LED

UL US  
E353116

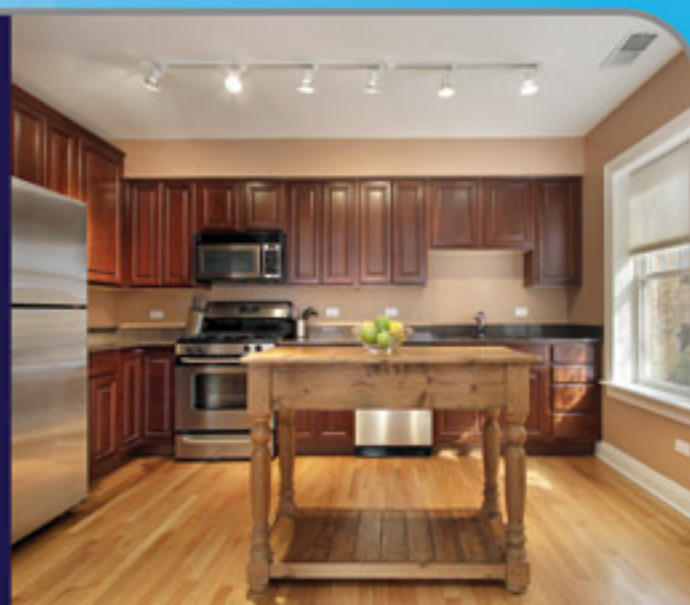
Replaces  
up to  
50W PAR16



## JDR/PAR16 Lamps 7W Philips Chip Technology

120 Volt

Hi-Output Series



### Philips Hi-Output chip characteristics:

- Fully Dimmable (Compatible with over 90% of dimming systems)
- 5-Year Manufacturers Warranty against product defects
- UL-Listed and Energy Star Approved
- 25,000 Hour Average Rated Life (by Energy Star Standards)
- Will last in most normal applications for 50,000 Hours +
- 230 Volt available upon request



JDR/PAR16

**Dauer**  
LED

**Dauer**  
LED

Code	Product Description	Voltage	Wattage	Color K	Lumens	CBCP	CRI
486975	LED-PAR16-7P-WW-40° 120V 7W WARM	120V	7W	3000K	400	1025	80+



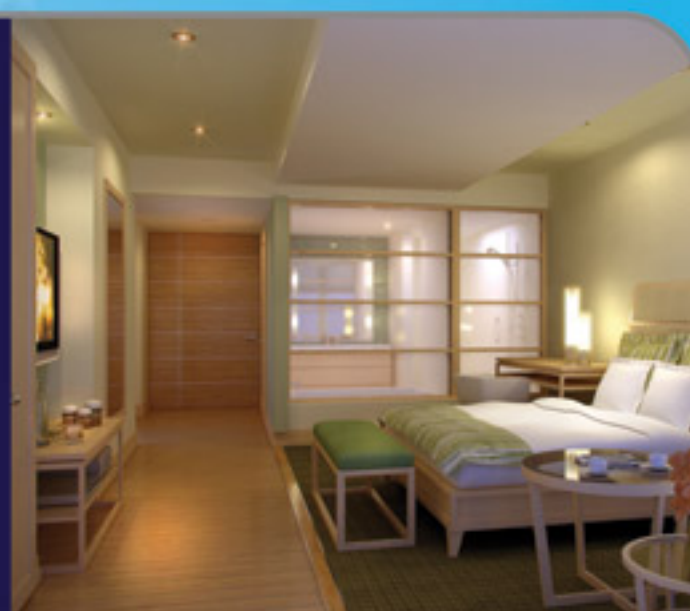
Replaces  
up to  
50W PAR20



## PAR20 Lamps 7W Philips Chip Technology

120 Volt

Hi-Output Series



### Philips Hi-Output chip characteristics:

- Fully Dimmable (Compatible with over 90% of dimming systems)
- 5-Year Manufacturers Warranty against product defects
- UL-Listed and Energy Star Approved
- 25,000 Hour Average Rated Life (by Energy Star Standards)
- Will last in most normal applications for 50,000 Hours +
- 230 Volt available upon request



Code	Product Description	Voltage	Wattage	Color K	Lumens	CBCP	CRI
486881	LED-PAR20-7P-WW-40° 120V 7W WARM	120V	7W	3000K	500	1584	80+
486882	LED-PAR20-7P-CW-40° 120V 7W COOL	120V	7W	6000K	580	1591	70+



Replaces  
up to  
75W PAR30



## PAR30-SN Lamps 12W (SHORT NECK)

CREE XBD Chip Technology

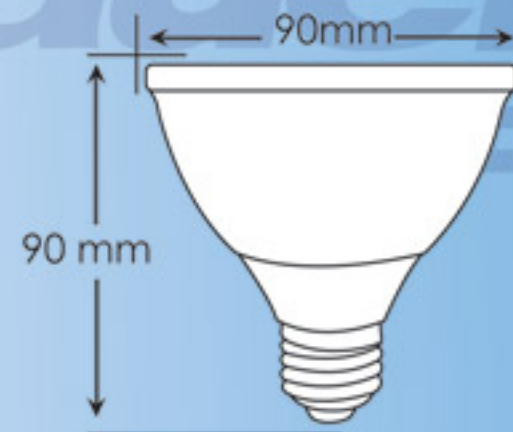
120 Volt

Hi-Output Series



### Cree XBD Hi-Output chip characteristics:

- Fully Dimmable (Compatible with over 90% of dimming systems)
- 5-Year Manufacturers Warranty against product defects
- UL-Listed and Energy Star Approved
- 25,000 Hour Average Rated Life (by Energy Star Standards)
- Will last in most normal applications for 50,000 Hours +
- 230 Volt available upon request



Code	Product Description	Voltage	Wattage	Color K	Lumens	CBCP	CRI
486889	LED-PAR30-12XBD-SN-WW-25° WARM	120V	12W	3000K	800	2237	80+
486890	LED-PAR30-12XBD-SN-CW-25° COOL	120V	12W	6000K	850	2247	70+
486891	LED-PAR30-12XBD-SN-WW-40° WARM	120V	12W	3000K	800	1978	80+
486892	LED-PAR30-12XBD-SN-CW-40° COOL	120V	12W	6000K	850	1988	70+



Replaces  
up to  
75W PAR30



## PAR30 Lamps 12W CREE XBD Chip Technology

120 Volt

Hi-Output Series



### Cree XBD Hi-Output chip characteristics:

- Fully Dimmable (Compatible with over 90% of dimming systems)
- 5-Year Manufacturers Warranty against product defects
- UL-Listed and Energy Star Approved
- 25,000 Hour Average Rated Life (by Energy Star Standards)
- Will last in most normal applications for 50,000 Hours +
- 230 Volt available upon request



Code	Product Description	Voltage	Wattage	Color K	Lumens	CBCP	CRI
486893	LED-PAR30-12XBD-WW-25° 120V 12W WARM	120V	12W	3000K	800	2237	80+
486894	LED-PAR30-12XBD-CW-25° 120V 12W COOL	120V	12W	6000K	850	2247	70+
486895	LED-PAR30-12XBD-WW-40° 120V 12W WARM	120V	12W	3000K	800	1978	80+
486896	LED-PAR30-12XBD-CW-40° 120V 12W COOL	120V	12W	6000K	850	1988	70+



Replaces  
90W PAR38



**17W PAR38 has higher  
Footcandles than 90W Halogen**

## PAR38 Lamps 17W CREE XBD Chip Technology

120 Volt

Hi-Output Series



### Cree XBD Hi-Output chip characteristics:

- Fully Dimmable (Compatible with over 90% of dimming systems)
- 5-Year Manufacturers Warranty against product defects
- UL-Listed and Energy Star Approved
- 25,000 Hour Average Rated Life (by Energy Star Standards)
- Will last in most normal applications for 50,000 Hours +
- 17W PAR38 = 90W PAR Halogen
- 230 Volt available upon request



Code	Product Description	Voltage	Wattage	Color K	Lumens	CBCP	CRI
486906	LED-PAR38-17XBD-CW-15° 120V 17W COOL	120V	17W	6000K	1350	9889	70+
486913	LED-PAR38-17XBD-WW-25° 120V 17W WARM	120V	17W	3000K	1200	3565	80+
486916	LED-PAR38-17XBD-CW-25° 120V 17W COOL	120V	17W	6000K	1350	3763	70+
486917	LED-PAR38-17XBD-NW-25° 120V 17W NEUTRAL	120V	17W	4000K	1250	3789	75+
486907	LED-PAR38-17XBD-WW-40° 120V 17W WARM	120V	17W	3000K	1200	2516	80+
486908	LED-PAR38-17XBD-CW-40° 120V 17W COOL	120V	17W	6000K	1350	2818	70+



E353116



Replaces  
90W PAR38

**17W PAR38 has higher  
Footcandles than 90W Halogen**

# PAR38 Lamps 17W

## CREE XBD Chip Technology

### IP65 Outdoor Rated

120 Volt

Hi-Output Series



#### Cree XBD Hi-Output chip characteristics:

- IP65 Outdoor Rated
- Fully Dimmable (Compatible with over 90% of dimming systems)
- 5-Year Manufacturers Warranty against product defects
- UL-Listed and Energy Star Approved
- 25,000 Hour Average Rated Life (by Energy Star Standards)
- Will last in most normal applications for 50,000 Hours +
- 17W PAR38 = 90W PAR Halogen
- 230 Volt available upon request
- Body Colors Available: White, Black, Silver, & Green



Code	Product Description	Voltage	Wattage	Color K	Lumens	CBCP	CRI
486918	LED-PAR38-17XBD-IP65-WW-25° 120V 17W	120V	17W	3000K	1200	3565	80+
486919	LED-PAR38-17XBD-IP65-CW-25° 120V 17W	120V	17W	6000K	1350	3763	70+
486920	LED-PAR38-17XBD-IP65-WW-40° 120V 17W	120V	17W	3000K	1200	2516	80+
486921	LED-PAR38-17XBD-IP65-CW-40° 120V 17W	120V	17W	6000K	1350	2818	70+



Replaces  
PAR38's



# PAR38 Lamps 17W COB Chip Technology

120 Volt

Hi-Output Series



## COB Hi-Output chip characteristics:

- Fully Dimmable (Compatible with over 90% of dimming systems)
- 5-Year Manufacturers Warranty against product defects
- UL-Listed and Energy Star Approved
- 25,000 Hour Average Rated Life (by Energy Star Standards)
- Will last in most normal applications for 50,000 Hours +
- 17W PAR38 = 90W PAR Halogen
- 230 Volt available upon request



Code	Product Description	Voltage	Wattage	Color K	Lumens	CBCP	CRI
486954	LED-PAR38-17C-WW-40° 120V 17W	120V	17W	3000K	1000	2097	80+
486955	LED-PAR38-17C-CW-40° 120V 17W	120V	17W	5000K	1150	2348	70+

**Dauer**  
LED

Over  
500  
Lumens



UL US  
E353116



# GU10 8W CREE Chip Technology

120 Volt

Hi-Output Series



## Hi-Output chip characteristics:

- Fully Dimmable (Compatible with over 90% of dimming systems)
- 5-Year Manufacturers Warranty against product defects
- UL-Listed and Energy Star Approved
- 25,000 Hour Average Rated Life (by Energy Star Standards)
- Will last in most normal applications for 50,000 Hours +
- Lamp Dimensions: 50mm diameter x 61.3mm MOL



Code	Product Description	Voltage	Wattage	Color K	Lumens	CBCP	CRI
487080	LED-GU10-8SC-27K-25°	120V	8W	2700K	450	1798	80+
487081	LED-GU10-8SC-WW-25°	120V	8W	3000K	460	1827	80+
487082	LED-GU10-8SC-CW-25°	120V	8W	5000K	515	2100	70+
487083	LED-GU10-8SC-NW-25°	120V	8W	4000K	500	1965	75+
487084	LED-GU10-8SC-27K-40°	120V	8W	2700K	450	1054	80+
487085	LED-GU10-8SC-WW-40°	120V	8W	3000K	460	1116	80+
487086	LED-GU10-8SC-CW-40°	120V	8W	5000K	515	1350	70+
487087	LED-GU10-8SC-NW-40°	120V	8W	4000K	500	1247	75+

**Dauer**  
LED

Replaces  
50W



UL US  
E353116



# GU10 7W

## Philips Chip Technology

120 Volt

Hi-Output Series



### Philips Hi-Output chip characteristics:

- Available in Warm, Cool & Neutral
- 5-Year Manufacturers Warranty against product defects
- UL-Listed and Energy Star Approved
- 25,000 Hour Average Rated Life (by Energy Star Standards)
- Will last in most normal applications for 50,000 Hours +
- Our Top Quality LED GU10 have the best light output in the industry
- Replaces 50W GU10 HALOGEN LAMP
- Dimensions - Diameter 50mm / MOL 55mm
- 230 Volt available upon request
- Fully dimmable



Code	Product Description	Voltage	Wattage	Color K	Lumens	CBCP	CRI
487070	LED-GU10-7P-27K-40° 120V 7W	120V	7W	2700K	330	1013	80+
487071	LED-GU10-7P-WW-40° 120V 7W	120V	7W	3000K	330	1013	80+
487072	LED-GU10-7P-CW-40° 120V 7W	120V	7W	6000K	390	1022	70+
487073	LED-GU10-7P-NW-40° 120V 7W	120V	7W	4000K	360	1015	75+

Available in  
2'X2'  
&  
2'X4'



## LED Panels SMD Chip Technology

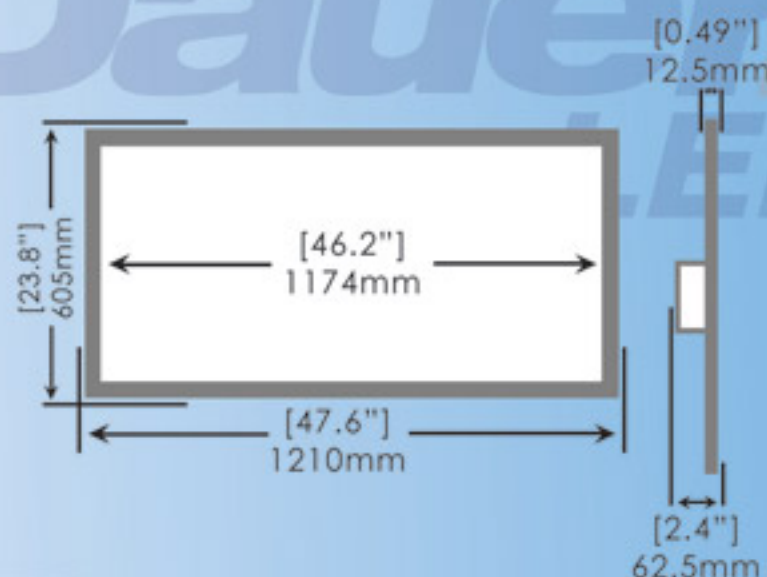
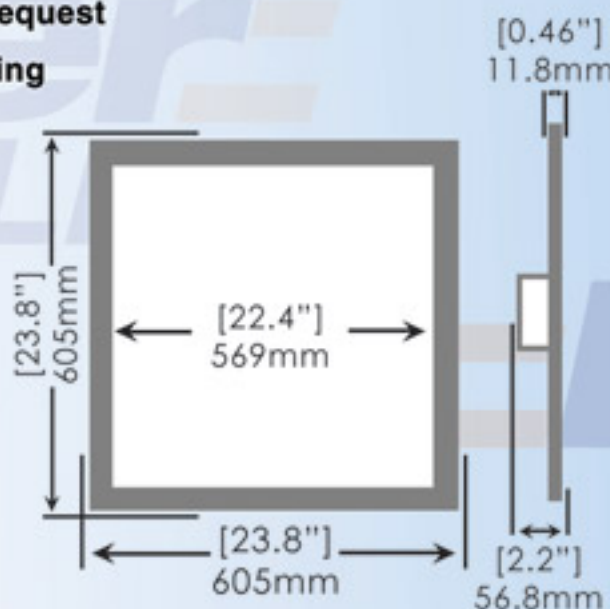
120/277 Volt

Hi-Output Series



### SMD Hi-Output chip characteristics:

- DLC complianced fixture
- 5800lm with 68W input power, 85+lm/W efficacy
- 3000K/4000K/5000K CCT selectable
- Design for 50000hr lifetime and 5 years warranty
- Dimming option available upon request
- Non-flicking, Even and Soft lighting
- Easy for installation



Code	Product Description	Voltage	Wattage	Color K	Lumens	CRI
487602	LED-2x2-12P-35W-4000K-WH-120/277V	120/277V	35W	4000K	≥3000	80+
487603	LED-2x2-12P-35W-5000K-WH-120/277V	120/277V	35W	5000K	≥3000	80+
487611	LED-2x4-12P-70W-4000K-WH-120/277V	120/277V	70W	4000K	≥5800	80+
487612	LED-2x4-12P-70W-5000K-WH-120/277V	120/277V	70W	5000K	≥5800	80+



Rotating Base with Locking Mechanism

Replaces Standard Fluorescent



FROSTED COVER

CLEAR COVER

# LED Tubes (2ft, 3ft, 4ft, & 8ft) SMD Chip Technology

120/277 Volt

Hi-Output Series



### SMD Hi-Output chip characteristics:

- 2, 3, 4, & 8ft tubes available
- 5-Year Manufacturers Warranty against product defects
- UL-Listed

- 50,000 Hour Average Rated Life
- Base: Bi-Pin (Rotating Pins Available)



Code	Product Description	Voltage	Wattage	Color K	Lumens	CRI
487415	LED-2T8-10W-3000K-CL-120/277V	120/277V	10W	3000K	1070	80
487416	LED-2T8-10W-4000K-CL-120/277V	120/277V	10W	4000K	1080	75
487417	LED-2T8-10W-6000K-CL-120/277V	120/277V	10W	6000K	1150	70
487418	LED-2T8-10W-3000K-FR-120/277V	120/277V	10W	3000K	1040	80
487419	LED-2T8-10W-4000K-FR-120/277V	120/277V	10W	4000K	1050	75
487420	LED-2T8-10W-6000K-FR-120/277V	120/277V	10W	6000K	1100	70
487408	LED-3T8-10W-3000K-CL-120/277V	120/277V	10W	3000K	1120	80
487409	LED-3T8-10W-4000K-CL-120/277V	120/277V	10W	4000K	1130	75
487410	LED-3T8-10W-6000K-CL-120/277V	120/277V	10W	6000K	1180	70
487411	LED-3T8-10W-3000K-FR-120/277V	120/277V	10W	3000K	1070	80
487412	LED-3T8-10W-4000K-FR-120/277V	120/277V	10W	4000K	1080	75
487413	LED-3T8-10W-6000K-FR-120/277V	120/277V	10W	6000K	1130	70
487401	LED-4T8-18W-3000K-CL-120/277V	120/277V	18W	3000K	1970	80
487402	LED-4T8-18W-4000K-CL-120/277V	120/277V	18W	4000K	1980	75
487403	LED-4T8-18W-6000K-CL-120/277V	120/277V	18W	6000K	2050	70
487404	LED-4T8-18W-3000K-FR-120/277V	120/277V	18W	3000K	1940	80
487405	LED-4T8-18W-4000K-FR-120/277V	120/277V	18W	4000K	1950	75
487406	LED-4T8-18W-6000K-FR-120/277V	120/277V	18W	6000K	2000	70
487435	LED-4T8-22W-3000K-CL-120/277V	120/277V	22W	3000K	2340	80
487436	LED-4T8-22W-4000K-CL-120/277V	120/277V	22W	4000K	2350	75
487437	LED-4T8-22W-6000K-CL-120/277V	120/277V	22W	6000K	2400	70
487438	LED-4T8-22W-3000K-FR-120/277V	120/277V	22W	3000K	2290	80
487439	LED-4T8-22W-4000K-FR-120/277V	120/277V	22W	4000K	2300	75
487440	LED-4T8-22W-6000K-FR-120/277V	120/277V	22W	6000K	2350	70
487480	LED-8T8-40W-3000K-CL-120/277V	120/277V	40W	3000K	4340	80
487481	LED-8T8-40W-4000K-CL-120/277V	120/277V	40W	4000K	4350	75
487482	LED-8T8-40W-6000K-CL-120/277V	120/277V	40W	6000K	4450	70
487483	LED-8T8-40W-3000K-FR-120/277V	120/277V	40W	3000K	4240	80
487484	LED-8T8-40W-4000K-FR-120/277V	120/277V	40W	4000K	4250	75
487485	LED-8T8-40W-6000K-FR-120/277V	120/277V	40W	6000K	4350	70

# Dauer LED

RetroFits  
4", 5", & 6"  
Recessed  
Fixtures



FC  
CE  
UL US  
E464885



RoHS  
Compliant

## LED Downlight RetroFit Kits

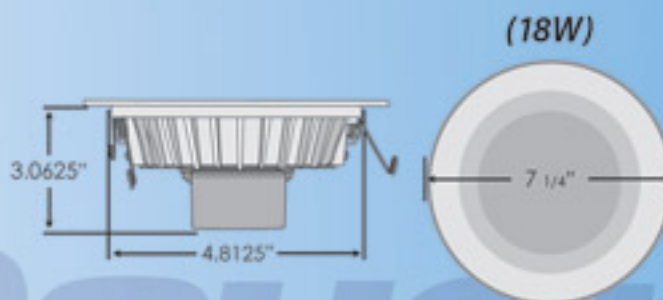
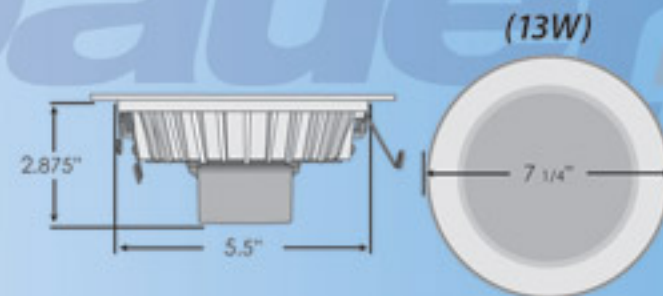
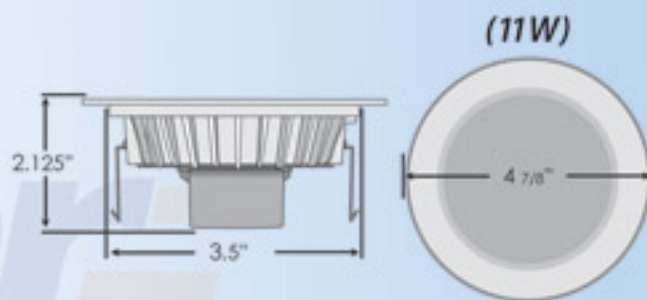
120/277 Volt

Hi-Output Series



### Hi-Output chip characteristics:

- Output Color: Warm White
- Voltage: 120 Volt
- Also available in 277 Volt upon request
- Warm Color Temp: 2700/3000K
- Cool Color Temp: 5000/6000K
- Beam Angle: 120°
- Fully Dimmable
- Multi Purpose Terminal Base
- 5-Year Manufacturers Warranty against product defects
- UL-Listed and Energy Star Approved
- 25,000 Hour Average Rated Life (by Energy Star Standards)
- Will last in most normal applications for 50,000 Hours +



Code	Product Description	Voltage	Wattage	Color K	Lumens	Beam	CRI
487519	LED-DL4-11SS-2700K-120V	120V	11W	2700K	700	120°	82
487520	LED-DL4-11SS-3000K-120V	120V	11W	3000K	700	120°	82
487522	LED-DL4-11SS-6000K-120V	120V	11W	6000K	800	120°	70
487527	LED-DL6-18SS-2700K-120V	120V	18W	2700K	1150	120°	82
487528	LED-DL6-18SS-3000K-120V	120V	18W	3000K	1150	120°	82
487530	LED-DL6-18SS-6000K-120V	120V	18W	6000K	1250	120°	70
487537	LED-DL6-13COB-2700K-120V	120V	13W	2700K	800	120°	82
487538	LED-DL6-13COB-3000K-120V	120V	13W	3000K	800	120°	82
487540	LED-DL6-13COB-5000K-120V	120V	13W	5000K	900	120°	70+



Available in  
Blue, Green,  
Red, & Amber



## Decorative Colors/ Wildlife Lighting

Cree Chip Technology

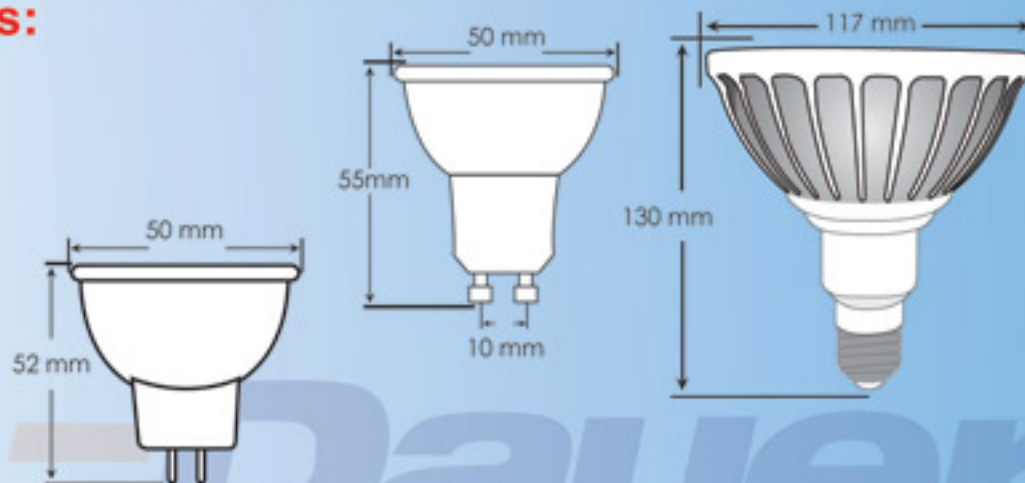
12 Volt & 120 Volt

Hi-Output Series



### Cree XPE Hi-Output chip characteristics:

- Energy-Efficient LED Lamps With CREE Chip Technology
- 5-Year Manufacturers Warranty against product defects
- UL-Listed
- 25,000 Hour Average Rated Life
- Will last in most normal applications for 50,000 Hours +
- Color Chips Render very Efficient Light Levels
- Decorative Blue, Green, Red, & Amber
- 230 Volt available upon request
- "TURTLE-SAFE" Amber (585-595 Nanometers)
- "TURTLE-SAFE" Red (610-645 Nanometers)
- Florida Fish & Wildlife Commission Approved



Available Colors

Code	Product Description	Voltage	Wattage	Available Colors
BIPIN	LED-BIPIN-3G4	12V	3.3W	(487120)RED, (487118)BLUE, (487119)GREEN, (487117)AMBER
MR16	LED-MR16-5XPE	12V	5W	(486820)RED, (486822)BLUE, (486823)GREEN, (486821)AMBER
GU10	LED-GU10-5XPE	120V	5W	(486869)RED, (486867)BLUE, (486868)GREEN, (486870)AMBER
PAR20	LED-PAR20-6XPE	120V	6W	(486885)RED, (486887)BLUE, (486888)GREEN, (486886)AMBER
PAR30	LED-PAR30-12XPE	120V	12W	(486897)RED, (486899)BLUE, (486900)GREEN, (486898)AMBER
PAR38	LED-PAR38-17XPE	120V	17W	(486909)RED, (486911)BLUE, (486912)GREEN, (486910)AMBER

Code	Product Description	Voltage	Wattage	Nanometer Range
487117-WL	LED3E-G4-A 3W BI-PIN TURTLE SAFE AMBER	12V	3.3W	Above 580
487120-WL	LED3E-G4-R 3W BI-PIN TURTLE SAFE RED	12V	3.3W	Above 580
486820-WL	LED-MR16-5XPE-R 12V 5W TURTLE-SAFE RED	12V	5W	Above 580
486821-WL	LED-MR16-5XPE-A 12V 5W TURTLE-SAFE AMBER	12V	5W	Above 580
486869-WL	LED-GU10-5XPE-R 120V 5W TURTLE-SAFE RED	120V	5W	Above 580
486870-WL	LED-GU10-5XPE-A 120V 5W TURTLE-SAFE AMBER	120V	5W	Above 580
486885-WL	LED-PAR20-6XPE-R 120V 6W TURTLE-SAFE RED	120V	6W	Above 580
486886-WL	LED-PAR20-6XPE-A 120V 6W TURTLE-SAFE AMBER	120V	6W	Above 580
486897-WL	LED-PAR30-12XPE-R 120V 12W TURTLE-SAFE RED	120V	12W	Above 580
486898-WL	LED-PAR30-12XPE-A 120V 12W TURTLE-SAFE AMBER	120V	12W	Above 580
486909-WL	LED-PAR38-17XPE-R 120V 17W TURTLE SAFE RED	120V	17W	Above 580
486910-WL	LED-PAR38-17XPE-A 120V 17W TURTLE SAFE AMBER	120V	17W	Above 580

800.883.2590

10100 NW 116th Way #14

Medley, FL 33178

[www.DauerLED.com](http://www.DauerLED.com)

**Dauer**  
**LED**



Version 12.22.14

Distributed by:

