

Type:

Model:

## SUNNY MOON 25" 12V LED Silhouette Bollard

**ORDERING CODE:**  
489509

**SPECIFICATIONS**

**SIZE:**  
6" X 6" X 25"

**HOUSING:**  
Architectural-grade (6063-T6) 1/8" aluminum. 3/16"-thick aluminum base plate.

**STANDARD POWDER COAT COLORS:**  
PPG PCT23104 Vintage Bronze Texture is standard for the Sunny Moon. Available in additional colors per the chart below. Other custom colors are also available.

**SOCKET AND LAMP:**  
12V 7W 120° 3000K MR16 Dauer LED replaceable lamp (486720) included.

**ZINC ANODE:**  
3/8-16 NPT replacement zinc anode (502021) included.

**MOUNTING OPTIONS:**  
Deck Mounting and Concrete Mounting hardware included.  
Stake mount option can be ordered separately (489600).

**OTHER OPTIONS:**  
Four-sided design is standard, but can be ordered with black-out on 1, 2, or 3 sides. Any custom color is available. Custom designs and logos available. Interior kit available.

**WIRING:**  
Pre-wired with 5-foot 18/2 lead.

**WARRANTY:**  
Lifetime on fixture. Ten-year warranty on powder coating. Five-year warranty on replaceable LED lamp.

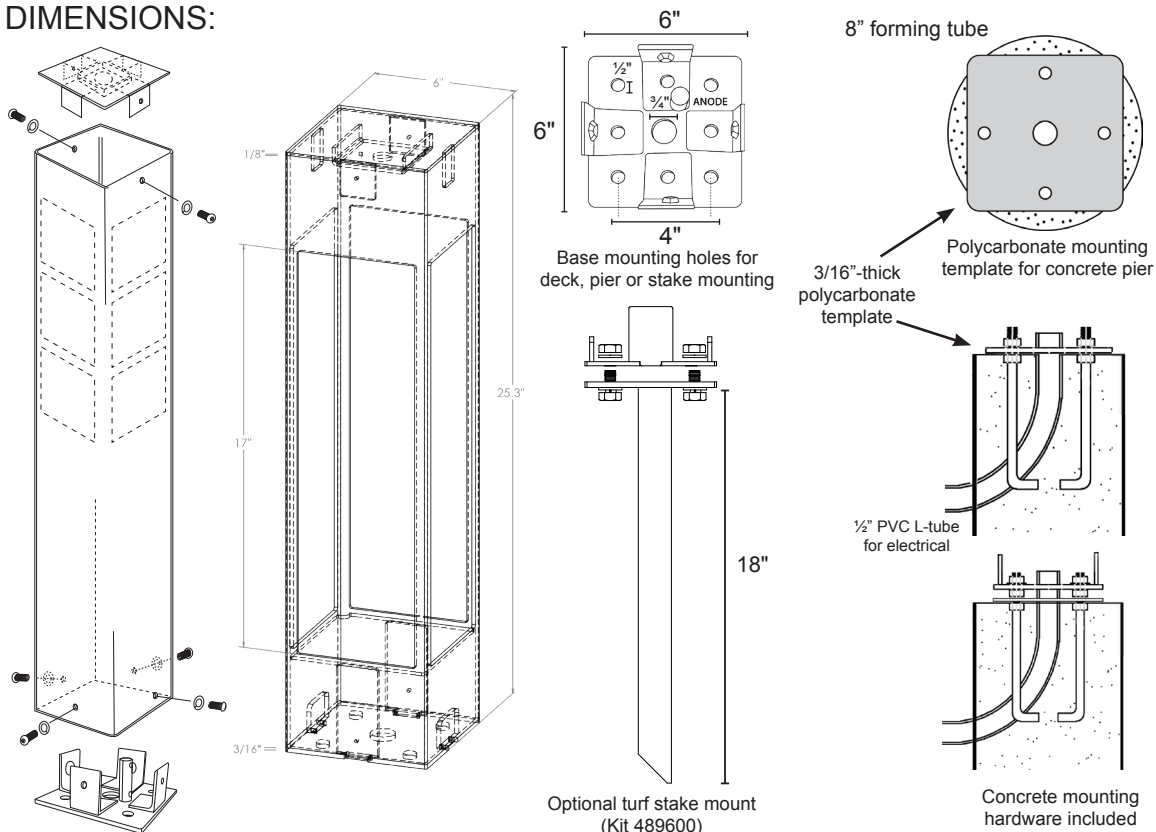


From Dauer's Silhouette Collection, Sunny Moon 6x6x25 bollard is crafted in America from architectural-grade aluminum for lifelong service. Anchors securely and easily to decks, poured concrete, or on a turf stake. Numerous powder-coated colors available. Dark sky compliant. Available in 25-inch and 42-inch versions.

*Shown in Vintage Bronze.*



### DIMENSIONS:



Cardinal C291-GN20 Patina Texture Semi Gloss	
Cardinal T091-GN57 Verdigris Texture Semi Gloss	
Cardinal T013-RD15 Red Hammer Semi Gloss	
Tiger Drylac 39/40002 Sapphire Hammer	
TCI Powders 9016-8336 Burst Rust	
Tiger Drylac 38/60080 Statuary Bronze	
Tiger Drylac 49/92910 Silver Matte	
Tiger Drylac 39/81420 Jet Black Hammer	
TCI Powders 9030-90922 SD Flat Black	
Powder Buy the Pound SK4331 Fine Textured Black	
Cardinal T012-WH260 White Hammer Semi Gloss	
PPG PCT23104 Vintage Bronze Texture	
Primastic PVB-8109 Jade/Copper	
Cardinal T064-BL95 Blue Hammer Semi Gloss	