

Type:

Model:

D-VINE 6" X 6" X 25" 12V LED Silhouette Bollard

ORDERING CODE:
489529

SPECIFICATIONS

SIZE:
6" X 6" X 25"

HOUSING:
Architectural-grade (6063-T6) 1/8" aluminum. 3/16"-thick aluminum base plate.

STANDARD POWDER COAT COLORS:
PPG PCT23104 Vintage Bronze Texture is standard for the D-Vine. Available in additional colors per the chart below. Other custom colors are also available.

SOCKET AND LAMP:
12V 7W 120° 2700K MR16 Dauer LED replaceable lamp (486715) included..

ZINC ANODE:
3/8-16 NPT replacement zinc anode (502021) included.

MOUNTING OPTIONS:
Deck Mounting and Concrete Mounting hardware included.
Stake mount option can be ordered separately (489605).

OTHER OPTIONS:
Available in unpainted 3/8" steel with stainless-steel base. Four-sided design is standard, but can be ordered with black-out on 1, 2, or 3 sides. Any custom color is available. Custom designs and logos available. Interior kit available.

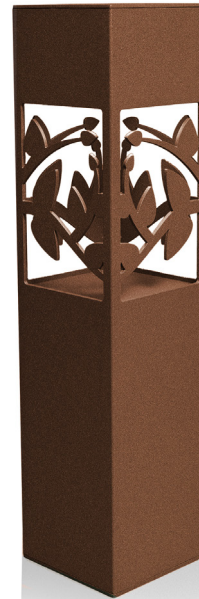
WIRING:
Pre-wired with 5-foot 18/2 lead.

WARRANTY:
Lifetime on fixture. Ten-year warranty on powder coating. Five-year warranty on replaceable LED lamp.

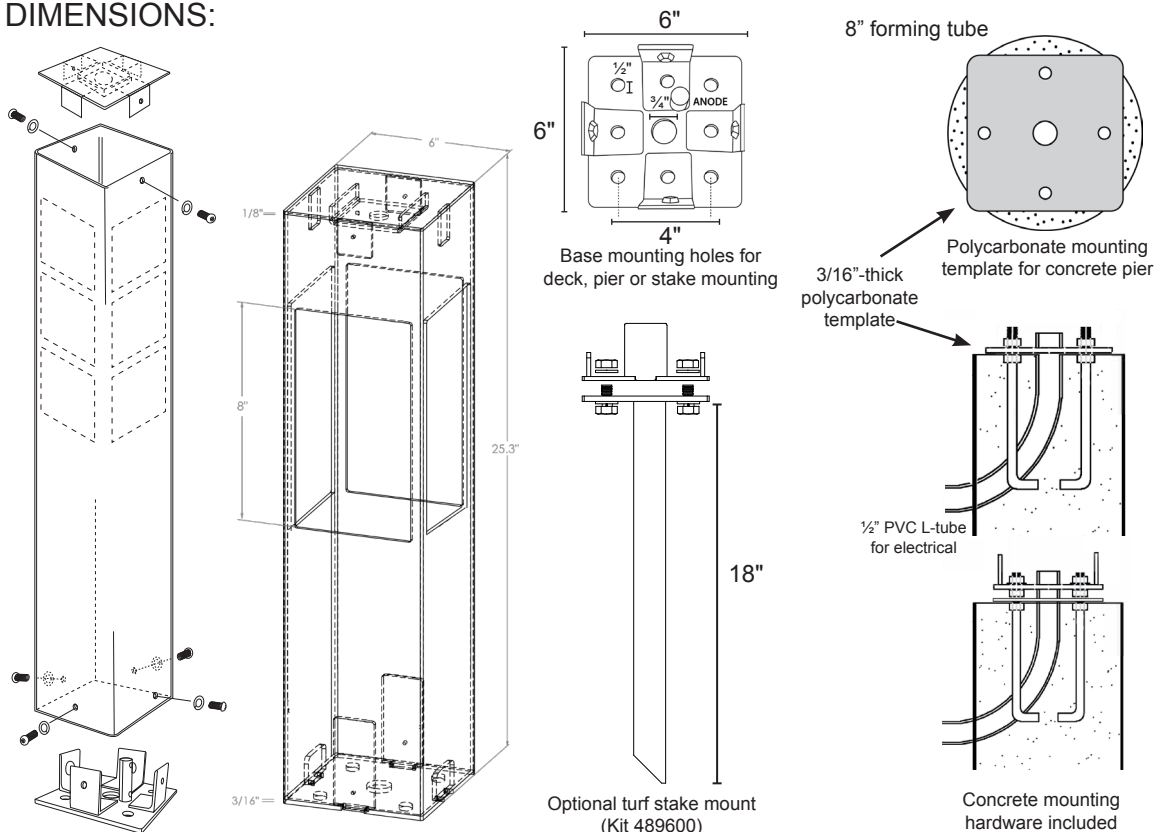


From Dauer's Silhouette Collection, D-Vine 6x6x25 bollard is crafted in America from architectural-grade aluminum for lifelong service. Anchors securely and easily to decks, poured concrete, or on a turf stake. Numerous powder-coated colors available. Dark sky compliant. Available in 25-inch and 42-inch versions.

Shown in Vintage Bronze.



DIMENSIONS:



Cardinal C291-GN20 Patina Texture Semi Gloss	
Cardinal T091-GN57 Verdigris Texture Semi Gloss	
Cardinal T013-RD15 Red Hammer Semi Gloss	
Tiger Drylac 39/40002 Sapphire Hammer	
TCI Powders 9016-8336 Burst Rust	
Tiger Drylac 38/60080 Statuary Bronze	
Tiger Drylac 49/92910 Silver Matte	
Tiger Drylac 39/81420 Jet Black Hammer	
TCI Powders 9030-90922 SD Flat Black	
Powder Buy the Pound SK4331 Fine Textured Black	
Cardinal T012-WH260 White Hammer Semi Gloss	
PPG PCT23104 Vintage Bronze Texture	
Primastic PVB-8109 Jade/Copper	
Cardinal T064-BL95 Blue Hammer Semi Gloss	