

Type:

Model:

MOONBEAM Integrated LED Down Light Fixture

ORDERING CODE:
489843

SPECIFICATIONS

HOUSING:

Cast aluminum with removable shroud.

FINISH:

Architectural bronze. Custom powder coated colors available.

LENS:

Tempered glass.

INTEGRATED LED:

LED array. 10W. 12V/AC/DC. 11.51 VA. 720 lumens. 5700K color temperature.

MOUNTING:

Threaded with 1/2" NPT. May be mounted into threaded hubs in junction boxes or other mounting accessories available.

WIRING:

Pre-wired with a five-foot pigtail of 18/2 cable.

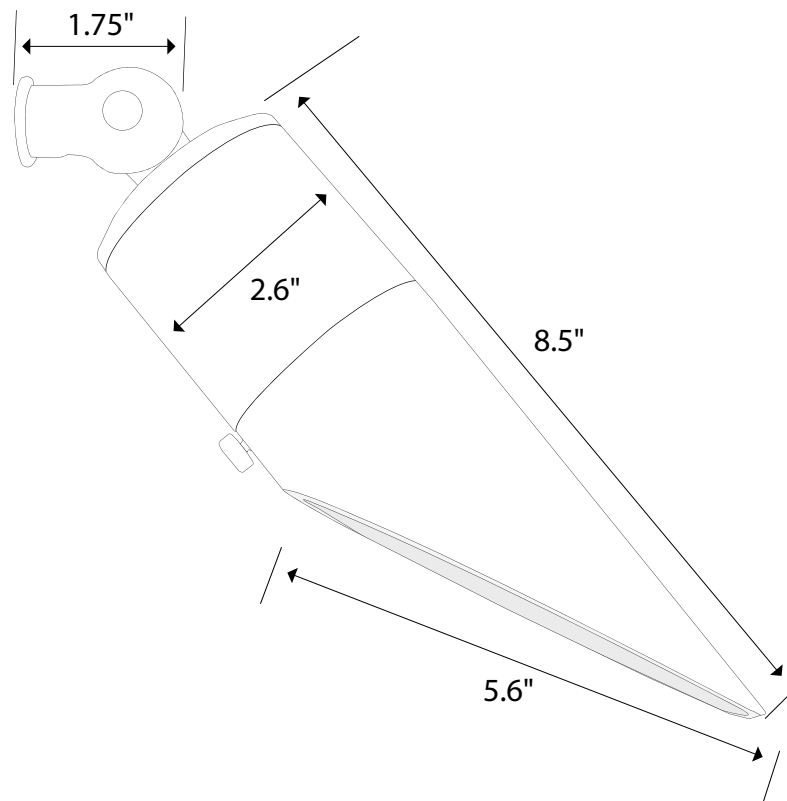
WARRANTY:

Ten years.



The Moonbeam down light features an integrated LED source available in 10 watts. 5700K. 60-degree beam spreads.

DIMENSIONS:



LED LAMP SPECIFICATIONS

LAMP TYPE:
Integrated LED.

OPTICS:
Integral optics providing available beam spread 60°.

COLOR TEMPERATURES:
Color temperature options provide the following qualities: 5700K.



FIXTURE ORDERING INFORMATION

To order a fixture with mounting options, select the appropriate choice from each column as in the following example:

EXAMPLE: 489843-A

MODEL	WATTAGE	VOLT AMPS	BEAM SPREAD	COLOR TEMP	LUMENS	EFFICACY	MOUNTING
489843	10 W	11.51 VA	60°	5700K	720	72 lm/W	A Achorage Aluminum Tree Mount - 490189 MM Aluminum Micro Surface Mount - 490186