

Type:

Model:

FIREFLY LED Path Light Fixture

ORDERING CODE:
489904

SPECIFICATIONS

HOUSING:
Cast brass.

FINISH:
Weathered brass. Custom powder coated colors available.

LENS:
Clear lens

SOCKET/LAMP HOLDER:
One ceramic GU5.3 bi-pin socket with stainless steel retaining springs, on an adjustable gimbal, accepts MR16 lamps with G4 or GY6.35 bases.

LAMP TYPE:
12V MR16. LED recommended. Halogen 30W maximum or 6W LED maximum.

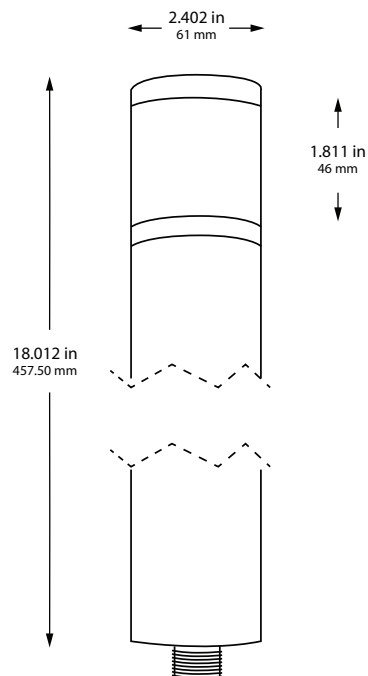
MOUNTING:
1/2" NPT. Heavy-duty composite stake included. May be mounted into threaded hubs in junction boxes or other mounting accessories.

WIRING:
Pre-wired with 5' pigtail of 18/2 cable.

WARRANTY:
Lifetime.



DIMENSIONS:



Do not unscrew the top collar above the diffuser. This can damage the fixture.

To replace the lamp, unscrew the bottom collar beneath the diffuser.



LED LAMP SPECIFICATIONS

LAMP TYPE:

12V Dauer MR16 lamp with 5-year warranty, dimmable, and suitable for enclosed luminaires.

OPTICS:

360°.

COLOR TEMPERATURES:

Color temperature options provide the following qualities: 2700K or 3000K. Decorative color light options include amber, blue, green, red and purple.

FIXTURE ORDERING INFORMATION

To order a lamped fixture with mounting options, select the appropriate choice from each column as in the following example:

EXAMPLE: 489904-MR16-4W-25-2700K-M3

FIXTURE	LAMP			MOUNTING
	WATTAGE	BEAM SPREAD	COLOR TEMP.	
489904	2W	25° / 40° / 60° / 100°	2700K / 3000K	MS Composite stake (incl.) 490034 M3 Trident Heavy-Duty 3-Prong Stake 490036 PM Round pier mount 490057 MP PVC/Brass post stake 490037
	3W	25° / 40° / 60°	2700K / 3000K	
	4W	15°	3000K	
		25° / 40° / 60° / 100°	2700K / 3000K	
	5W	15° / 25° / 40° / 60° / 100°	2700K / 3000K	
		25°	Amber / Blue / Green / Red / Purple	
	6W	25° / 40° / 60°	2700K / 3000K	
	7W	15° / 30° / 45° / 60°	2700K / 3000K	

