

Type:

Model:

SKY Pendant Path Fixture

ORDERING CODE:

489908

SPECIFICATIONS

HOUSING:

Solid brass. Threaded O-ring, decorative vents, brass chain and canopy included.

FINISH:

Weathered brass. Custom powder coated colors available.

LENS:

No lens.

SOCKET/LAMP HOLDER:

One fixed ceramic bi-pin socket with stainless steel retaining springs.

LAMP TYPE:

12V MR16 or bi-pin. LED recommended. 30W halogen or 7W LED maximum.

MOUNTING:

17.5" brass chain (field-adjustable). Composite stake included.

WIRING:

Pre-wired with 5' pigtail of 18/2 cable.

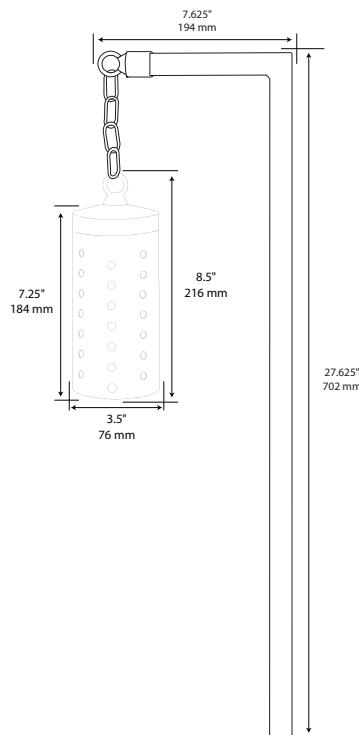
WARRANTY:

Lifetime.



The Sky pendant pathlight is crafted from solid brass with a decorative vented shroud that casts a romantic light. Choose from various intensities of MR16 or bi-pin LED lamps.

DIMENSIONS:



LED LAMP SPECIFICATIONS

LAMP TYPE:

12V Dauer MR16 lamp or bi-pin with 5-year warranty, dimmable, and suitable for enclosed luminaires.

OPTICS:

Integral optics providing available beam spreads from 15° to 60° for MR16 lamp (or no optics for bi-pin lamp).

COLOR TEMPERATURES:

Color temperature options provide the following qualities: 2700K and 3000K.

Decorative color light options include amber, blue, green, red and purple.

FIXTURE ORDERING INFORMATION

To order a lamped fixture with mounting options, select the appropriate choice from each column as in the following example:

EXAMPLE: 489908-MR16-4W-25-2700K-MS



FIXTURE	LAMP			MOUNTING
489908	WATTAGE	BEAM SPREAD	COLOR TEMP.	MS Composite stake (incl.) 490034
	MR16 2W	25° / 40° / 60°	2700K / 3000K	M3 Trident Heavy-Duty 3-Prong Stake 490036
	MR16 3W	25° / 40° / 60°	2700K / 3000K	PM Round pier mount 490057
	MR16 4W	25° / 40° / 60°	2700K / 3000K	MR Round tapered 3-hole surface mount 490048
	MR16 5W	15° / 25° / 40° / 60°	2700K / 3000K	MP PVC/Brass post stake 490037
		25°	Amber / Blue / Green / Red	
	MR16 5W	38°	Purple	
	MR16 6W	25° / 40° / 60°	2700K / 3000K	
	MR16 7W	15° / 30° / 45° / 60°	2700K / 3000K	
	Bi-pin 2W		2700K / 3000K	
	Bi-pin 3W		2700K / 3000K	
	Bi-pin 3.3W		Amber / Blue / Green / Red	
	Bi-pin 4W		Amber	
	Bi-pin 4W		2700K / 3000K	
	Bi-pin 4W		2700K-HO / 3000K-HO	