

Type:

Model:

**ENCLAVE Path Light Fixture 16"**

**ORDER CODE:**

489909-16

**SPECIFICATIONS**

**HOUSING:**

Cast brass

**FINISH:**

Weathered brass. Custom powder coated colors available.

**SOCKET/LAMP HOLDER:**

One fixed ceramic bi-pin socket accepts bi-pin lamps with G4 or GY6.35 base.

**LENS:**

Tempered glass.

**LAMP TYPE:**

12V bi-pin. LED recommended. 30W halogen or 6W LED maximum.

**MOUNTING:**

Heavy-duty composite stake included.




**WIRING:**

Prewired with 5' pigtail of 18/2 cable.

**WARRANTY:**

Lifetime.

**ARCHITECTURAL COLORS:**

FINE TEXTURE WHITE	
FINE TEXTURE SILVER	
FINE TEXTURE BLACK	

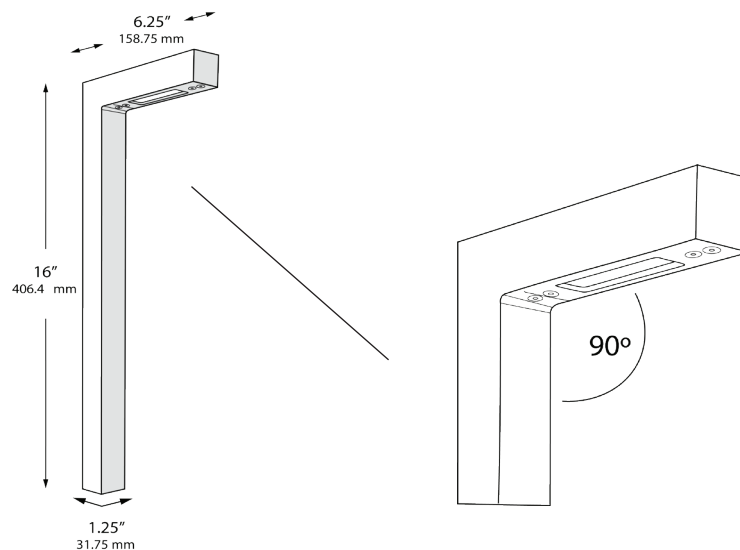
(489909-16-WH)

(489909-16-S)

(489909-16-BLK)



**DIMENSIONS:**



LED LAMP SPECIFICATIONS

**LAMP TYPE:**

Dauer encapsulated bi-pin with 5-year warranty.

**COLOR TEMPERATURES:**

2700K or 3000K. Decorative colors include amber, blue, green and red.

**FIXTURE ORDERING INFORMATION**

To order a lamped fixture, select the appropriate choice from each column as in the following example:

EXAMPLE: 489909-16-4W-E-2700K-MR



FIXTURE	LAMP			MOUNTING
	WATTAGE	TYPE	COLOR TEMP.	
489909-16 489909-16-WH 489909-16-S 489909-16-BLK	2W	E Encapsulated bi-pin	2700K / 3000K	<b>MS</b> Composite stake (incl.) 490034 <b>M3</b> Trident Heavy-Duty 3-Prong Stake 490036 <b>PM</b> Round pier mount 490057 <b>MR</b> Round tapered 3-hole surface mount 490048 <b>MP</b> PVC/Brass post stake 490037
	3W	E Encapsulated bi-pin	2700K / 3000K	
	3.3W	S SMD bi-pin	Amber / Blue / Green / Red	
	4W	E Encapsulated bi-pin	Amber	
	4W	E Encapsulated bi-pin	2700K / 3000K	
	4W	E Encapsulated bi-pin	2700K-HO / 3000K-HO	