

Type:

Model:

WATERFORD LED MR16 Down Light

ORDERING CODE:

489915

SPECIFICATIONS

HOUSING:

Cast brass. Threaded with O-ring. Watertight and bug-tight. Optional 3" (490056) and 5" shroud (490054) available.

FINISH:

Weathered brass. Custom powder coated colors available.

LENS:

Clear flat tempered glass.

SOCKET/LAMP HOLDER:

One fixed ceramic bi-pin socket with stainless steel retaining springs.

LAMP TYPE:

12V MR16. LED recommended. 30W halogen or 7W LED maximum.

MOUNTING:

Stem threaded with 1/2" NPT. May be mounted into threaded hubs in junction boxes or mounting accessories.

WIRING:

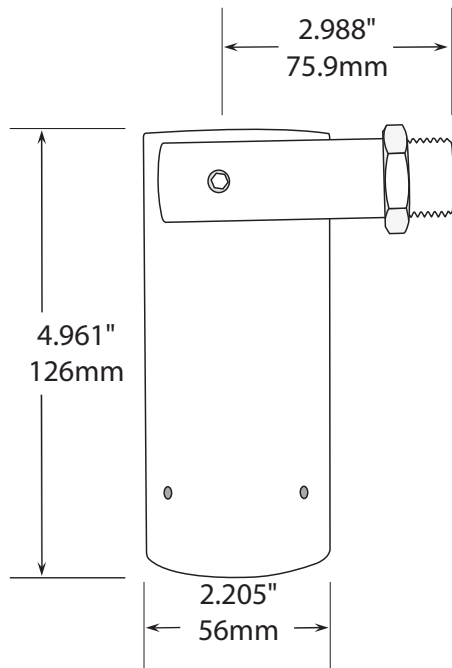
Pre-wired with 5' pigtail of 18/2 cable.

WARRANTY:

Lifetime.



DIMENSIONS:



MOUNTING OPTIONS:

(Sold separately)



Brass Y-Bracket
490045



Brass Tree Mount
490046
(Tree hugger strap kits also available)



Brass Micro
Surface Mount
490049



Newhouse Brass
Tree Mount
490060

LED LAMP SPECIFICATIONS

LAMP TYPE:

12V Dauer MR16 lamp with 5-year warranty, dimmable, and suitable for enclosed luminaires.

OPTICS:

Integral optics providing available beam spreads from 15° to 120°.

COLOR TEMPERATURES:

Color temperature options provide the following qualities: 2700K or 3000K. Decorative color light options include amber, blue, green, red and purple.



FIXTURE ORDERING INFORMATION

To order a lamped fixture with mounting options, select the appropriate choice from each column as in the following example:

EXAMPLE: 489915-4W-25-2700K-MY

FIXTURE	LAMP			MOUNTING
	WATTAGE	BEAM SPREAD	COLOR TEMP.	
489915	2W	25° / 40° / 60° / 100°	2700K / 3000K	MY Y-bracket surface mount - 490045
	3W	25° / 40° / 60°	2700K / 3000K	TH9 Tree Hugger Strap Kit 9"- Max 14" - 490330
	4W	25° / 40° / 60° / 100°	2700K / 3000K	TH15 Tree Hugger Strap Kit 15"- Max 22.5" - 490331
	5W	15° / 25° / 40° / 60° / 100°	2700K / 3000K	TH24 Tree Hugger Strap Kit 24"- Max 31.5" - 490332
				TH36 Tree Hugger Strap Kit 36"- Max 46.5" - 490333
	5W	38°	Amber / Blue / Green / Red	TH48 Tree Hugger Strap Kit 48"- Max 61.5" - 490334
				TM Tree Mount - 490046
	6W	25° / 40° / 60°	2700K / 3000K	N Newhouse Brass Tree Mount J-Box - 490060
7W	15° / 30° / 45° / 60° / 120°	2700K / 3000K	MSM Brass Micro Surface Mount - 490049	
			EM Round Electrical Mounting Plate 490043	
			RMP Rectangular Electrical Mounting Plate 490044	