

Type:

Model:

## FISHER LED MR16 Downlight

**ORDERING CODE:**

489981

**SPECIFICATIONS**

**HOUSING:**

Cast brass. Lock-and-load shroud with two O-rings.

**FINISH:**

Weathered brass. Custom powder coated colors available.

**LENS:**

No lens.

**SOCKET/LAMP HOLDER:**

One fixed ceramic bi-pin socket with stainless steel retaining springs.

**LAMP TYPE:**

12V MR16. LED recommended. 30W halogen or 7W LED maximum.

**MOUNTING:**

Orbital swivel on end. Stem threaded with 1/2" NPT. May be mounted into threaded hubs in junction boxes or mounting accessories.

**WIRING:**

Pre-wired with 5' pigtail of 18/2 cable.

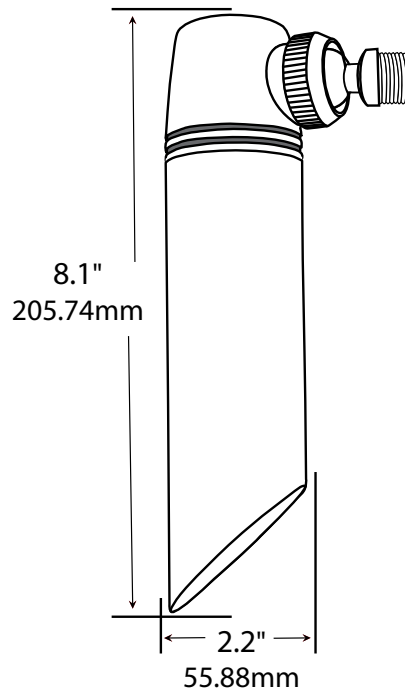
**WARRANTY:**

Lifetime.



The Fisher large downlight utilizes a side-mount orbital pivot for the widest range of vertical tilt angles. Y-bracket mount included with additional mounting options available.

### DIMENSIONS:



## LED LAMP SPECIFICATIONS

### LAMP TYPE:

12V Dauer MR16 lamp with 5-year warranty, dimmable, and suitable for enclosed luminaires.

### OPTICS:

Integral optics providing available beam spreads from 15° to 60°.

### COLOR TEMPERATURES:

Color temperature options provide the following qualities: 2700K or 3000K. Decorative color light options include amber, blue, green, red and purple.

## FIXTURE ORDERING INFORMATION

To order a lamped fixture with mounting options, select the appropriate choice from each column as in the following example:

EXAMPLE: 489981-4W-25-2700K-MY



FIXTURE	LAMP			MOUNTING
	WATTAGE	BEAM SPREAD	COLOR TEMP.	
489981	2W	25° / 40° / 60°	2700K / 3000K	<b>MY</b> Y-bracket surface mount - 490045
	3W	25° / 40° / 60°	2700K / 3000K	<b>TH9</b> Tree Hugger Strap Kit 9"- Max 14" - 490330
	4W	25° / 40° / 60°	2700K / 3000K	<b>TH15</b> Tree Hugger Strap Kit 15"- Max 22.5" - 490331
	5W	15° / 25° / 40° / 60°	2700K / 3000K	<b>TH24</b> Tree Hugger Strap Kit 24"- Max 31.5" - 490332
				<b>TH36</b> Tree Hugger Strap Kit 36"- Max 46.5" - 490333
	5W	38°	Purple	<b>TH48</b> Tree Hugger Strap Kit 48"- Max 61.5" - 490334
				<b>TM</b> Tree Mount - 490046
	6W	25° / 40° / 60°	2700K / 3000K	<b>N</b> Newhouse Brass Tree Mount J-Box - 490060
7W	15° / 30° / 45° / 60°	2700K / 3000K	<b>MSM</b> Brass Micro Surface Mount - 490049	
			<b>EM</b> Round Electrical Mounting Plate 490043	
			<b>RMP</b> Rectangular Electrical Mounting Plate 490044	