

Type:

Model:

RONEY LED MR8 Uplight Fixture

ORDERING CODE:

489990

SPECIFICATIONS

HOUSING:

Cast brass. Removable shroud with tension screw.

FINISH:

Weathered brass. Custom powder coated colors available.

SOCKET/LAMP HOLDER:

One fixed ceramic bi-pin socket with stainless steel retaining springs.

LENS:

Clear tempered glass.

LAMP TYPE:

12V MR8. LED recommended. 35W halogen or 6W LED maximum.

MOUNTING:

Stem threaded with 1/2" NPT. Heavy-duty composite stake included. May be mounted into threaded hubs in junction boxes or mounting accessories.

WIRING:

Pre-wired with 5' pigtail of 18/2 cable.

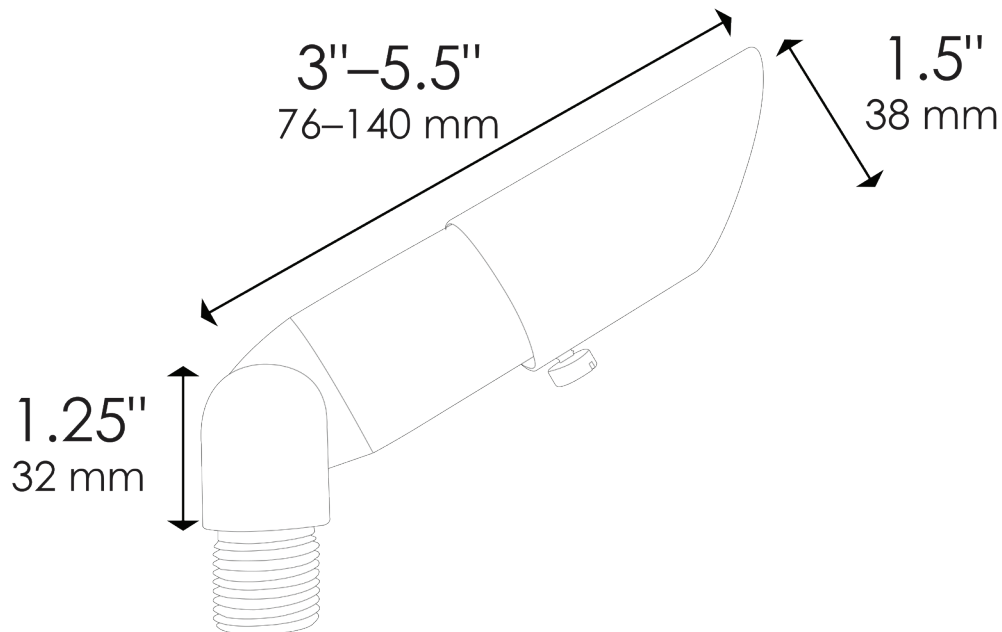
WARRANTY:

Lifetime.



Accent your most cherished outdoor scenes with the cast brass Roney uplight. Features an adjustable shroud to achieve the perfect beam spread or to control glare.

DIMENSIONS:



LED LAMP SPECIFICATIONS

LAMP TYPE:

12V Dauer MR8 lamp with 5-year warranty, suitable for enclosed luminaires.

OPTICS:

Integral optics providing available beam spreads from 30° to 100°.

COLOR TEMPERATURES:

Color temperature options MR8 available in 2700K and 3000K.

FIXTURE ORDERING INFORMATION

To order a lamped fixture with mounting options, select the appropriate choice from each column as in the following example:

EXAMPLE: 489990-2W-60-2700K-MS-R2



FIXTURE	LAMP			MOUNTING	RISER
489990	WATTAGE	BEAM SPREAD	COLOR TEMP.	MS Composite stake (incl.) 490034 M3 Trident Heavy-Duty 3-Prong Stake 490036 PM Round pier mount 490057 MR Round tapered 3-hole surface mount 490048 MP PVC/Brass post stake 490037 GM Brass gutter mount 490047	R2 2" BRASS RISER 490038 R3 3" BRASS RISER 490039 R6 6" BRASS RISER 490031 R12 12" BRASS RISER 490032 R24 24" BRASS RISER 490033
	2W	30° / 60° / 100°	2700K		
	2.5W	38° / 60°	2700K / 3000K		