

Type:

Model:

METROPOLITAN LED BI-Pin Wall Wash Fixture

ORDERING CODE:

490009
490009-BLK

SPECIFICATIONS

HOUSING:

Cast brass. Angled shroud.

FINISH:

Weathered brass. Custom powder coated colors available.

LENS:

Clear and frosted tempered glass lenses included.

SOCKET/LAMP HOLDER:

One fixed ceramic bi-pin socket accepts bi-pin lamps with G4 or GY6.35 base.

LAMP TYPE:

12V bi-pin. LED recommended. Halogen 35W maximum or 6W LED maximum.

MOUNTING:

1/2" NPT. Heavy-duty composite stake included with stem. May be mounted into threaded hubs in junction boxes or other mounting accessories.

WIRING:

Pre-wired with 5' pigtail of 18/2 cable.

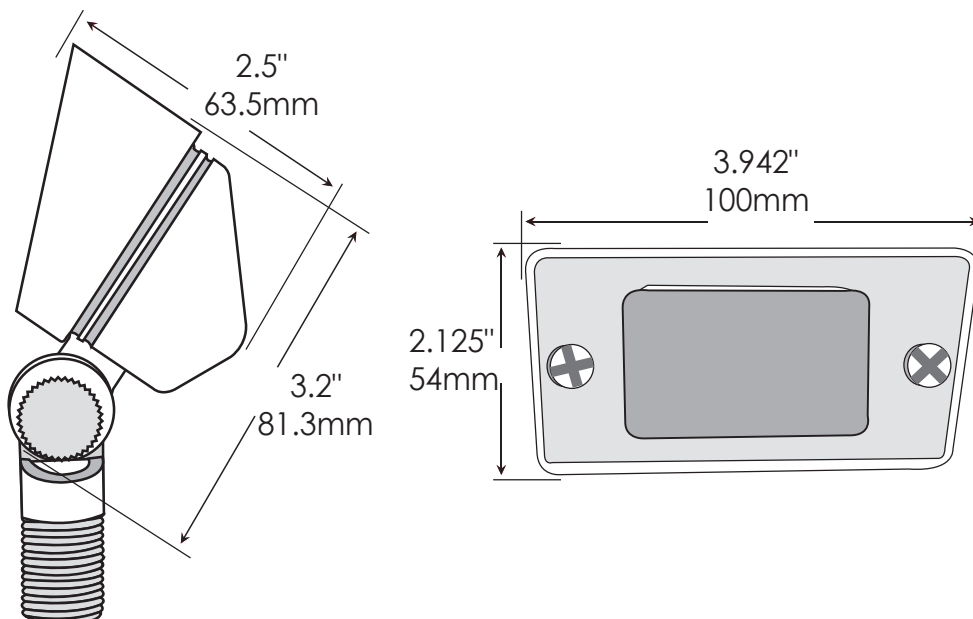
WARRANTY:

Lifetime.



The Metropolitan wall wash comes with clear and frosted lenses. The lens is gasketed onto an angled shroud. Crafted from cast brass. A heavy-duty composite stake is included, and other mounting options are available. Tilt angle adjusts securely with a brass knob. Can be used for accenting building and barrier walls, as well as for lighting landscape features from below. A variety of LED bi-pin lamp intensities and hues are available.

DIMENSIONS:



LED LAMP SPECIFICATIONS

LAMP TYPE:

Dauer encapsulated bi-pin with 5-year warranty.

COLOR TEMPERATURES:

2700K or 3000K. Decorative colors include amber, blue, green and red.



FIXTURE ORDERING INFORMATION

To order a lamped fixture with mounting options, select the appropriate choice from each column as in the following example:

EXAMPLE: 490009-4W-E-2700K-MS-R2

FIXTURE	LAMP			MOUNTING	RISER
	WATTAGE	TYPE	COLOR TEMP.		
490009				MS Composite stake (incl.) 490034	R2 2" brass riser 490038
490009-BLK	2W	E Encapsulated bi-pin	2700K / 3000K	M3 Trident Heavy-Duty 3-Prong Stake 490036	R3 3" brass riser 490039
	3W	E Encapsulated bi-pin	2700K / 3000K	PM Round pier mount 490057	R6 6" brass riser 490031
	3.3W	S SMD bi-pin	Amber / Blue / Green / Red	MR Round tapered 3-hole surface mount 490048	R12 12" brass riser 490032
	4W	E Encapsulated bi-pin	Amber	MP PVC/Brass post stake 490037	R24 24" brass riser 490033
	4W	E Encapsulated bi-pin	2700K / 3000K		
	4W	E Encapsulated bi-pin	2700K-HO / 3000K-HO		