

Type:

Model:

MANDARIN Path Light Fixture

ORDERING CODE:

490024

SPECIFICATIONS

HOUSING:

Cast brass.

FINISH:

Weathered brass. Custom powder coated colors available.

STEMS:

10" (Model 490025), 16" (Model 490023) and 18" (Model 490026) stems are sold separately.

LENS:

Clear polycarbonate lens.

SOCKET/LAMP HOLDER:

One fixed ceramic bi-pin socket in stem accepts bi-pin lamps with G4 or GY6.35 bases.

LAMP TYPE:

12V bi-pin. LED recommended. Halogen 30W maximum or 6W LED maximum.

MOUNTING:

Threaded with 1/2" NPT. Heavy-duty composite stake included with stem, sold separately. May be mounted into threaded hubs in junction boxes or other mounting accessories.




WIRING:

Stem (sold separately) is pre-wired with 5' pigtail of 18/2 cable.

WARRANTY:

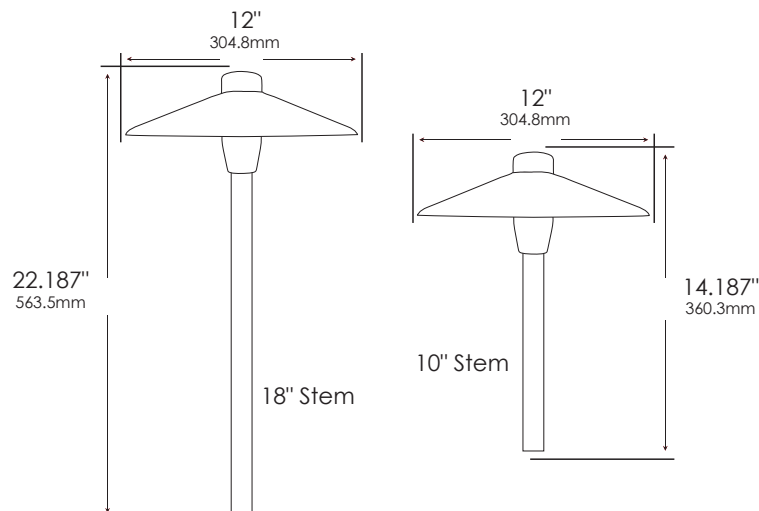
Lifetime.

ARCHITECTURAL COLORS:

| | | |
|---------------------|---|------------|
| FINE TEXTURE SILVER |  | 490024-S |
| FINE TEXTURE WHITE |  | 490024-WH |
| FINE TEXTURE BLACK |  | 490024-BLK |



DIMENSIONS:



LED LAMP SPECIFICATIONS

LAMP TYPE:

12V Dauer bi-pin with 5-year warranty, dimmable, and suitable for enclosed luminaires.

COLOR TEMPERATURES:

Color temperature options provide the following qualities: 2700k or 3000K. Decorative color light options include amber, blue, green, and red.

FIXTURE ORDERING INFORMATION

To order a lamped fixture with mounting options, select the appropriate choice from each column as in the following example:

EXAMPLE: 490024-490025-4W-2800K-MS



| FIXTURE | STEM | LAMP | | MOUNTING |
|---|-----------------|---------------------|----------------------------|--|
| | | WATTAGE | COLOR TEMP. | |
| 490024 490024-S 490024-WH 490024-BLK | 490025 (10") | 2W | 2700K / 3000K | MS Composite stake (incl.) 490034 M3 Trident Heavy-Duty 3-Prong Stake 490036 PM Round pier mount 490057 MR Round tapered 3-hole surface mount 490048 MP PVC/Brass post stake 490037 |
| | 490023 (16") | 3W | 2700K / 3000K | |
| 490026 (18") | | 3.3W | Amber / Blue / Green / Red | |
| | 4W | Amber | | |
| | 4W | 2700K / 3000K | | |
| | 4W | 2700K-HO / 3000K-HO | | |