

Type:

Model:

CRESCENT LED Bi-Pin Deck Light Fixture

ORDERING CODE:

490075

SPECIFICATIONS

HOUSING:

Cast brass.

FINISH:

Weathered brass. Custom powder coated colors available.

SOCKET/LAMP HOLDER:

One fixed ceramic bi-pin socket accepts bi-pin lamps with G4 or GY6.35 base.

LENS:

Frosted flat tempered glass.

LAMP TYPE:

12V bi-pin. LED recommended. 30W halogen or 6W LED maximum.

MOUNTING:

Base plate.

WIRING:

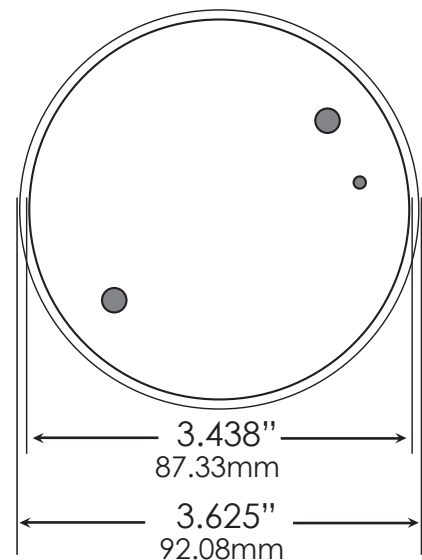
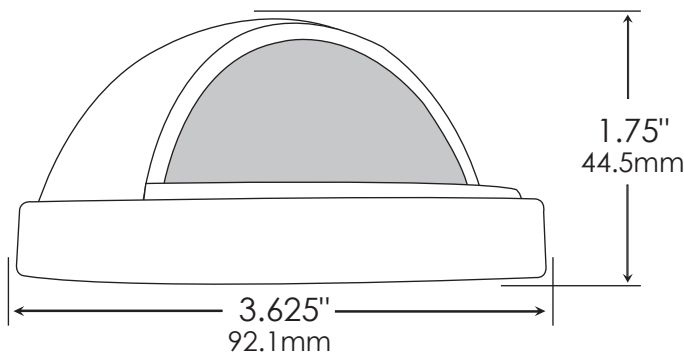
Pre-wired with 5' pigtail of 18/2 cable.

WARRANTY:

Lifetime.



DIMENSIONS:



LED LAMP SPECIFICATIONS

LAMP TYPE:

Dauer encapsulated bi-pin with 5-year warranty.

COLOR TEMPERATURES:

2700K or 3000K. Decorative colors include amber, blue, green and red.

FIXTURE ORDERING INFORMATION

To order a lamped fixture with mounting options, select the appropriate choice from each column as in the following example:

EXAMPLE: 490075-3W-2700K



FIXTURE	LAMP		
	WATTAGE	TYPE	COLOR TEMP.
490075	2W	E Encapsulated bi-pin	2700K / 3000K
	3W	E Encapsulated bi-pin	2700K / 3000K
	3.3W	S SMD bi-pin	Amber / Blue / Green / Red
	3W	E Encapsulated bi-pin	Amber

