

Bollard Care Guide

To preserve the beauty and functionality of your bollard and to keep its warranty in effect, you must maintain your fixture.

Care of the Finish

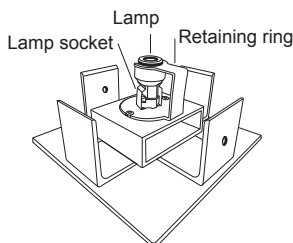
Sun and water are the primary factors in the degrading of a bollard finish over the years. Fog, precipitation, salt air, irrigation sprinklers, swimming pool chemicals, lawn sprays, pets, air pollution, etc. can have some negative impact. Commercial cleaners can damage the finish. Use a mild detergent. Do not use well water to rinse the bollard. Apply a non-abrasive car wax at regular intervals (we recommend every six months but no less than once a year) to protect the finish from ultraviolet solar damage and other factors. Do not use compound waxes that contain abrasives.

Lamp

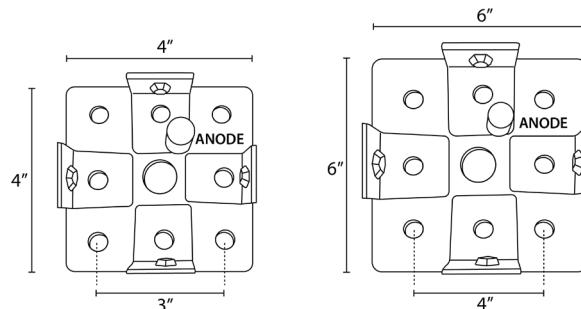
The LED lamp installed in the top of the bollard is warranted for five years. If the lamp needs replacement, loosen the set-screws at the top sides of the bollard to slide the top off the base. Note the alignment of the set screws between the bollard and the top so it can be remounted properly.

Sacrificial Anode

The sacrificial anode that is installed in the bollard base will deteriorate in order to prevent corrosion of other metal parts. In corrosive environments, this will occur faster than in other environments. Inspect the anode every year and replace it when it has significantly degraded. Order Dauer part number 502021. To access the base, loosen the set-screws at the bottom sides of the bollard to slide the bollard off the base. Note the alignment of the set screws between the bollard and the base so it can be remounted properly.



Bollard top



Bollard base

