

Type:

Model:

Encapsulated Bayonet LED Lamps

SPECIFICATIONS

BASE: Single (BA15S) or double-contact bayonet base (BA15D)

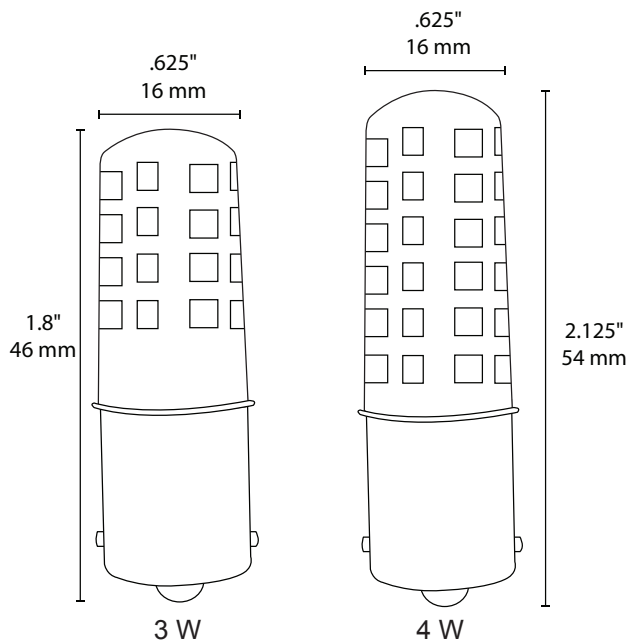
COLOR TEMPERATURE: 2700K or 3000K

VOLTAGE: 10-15V AC/DC

CRI: 80+

AGENCY LISTINGS: IP65 (weatherproof) rated

WARRANTY: Five years



The low-voltage SMD bayonet LED lamps are IP65 outdoor rated. Warm-white hue. Replacements for #1141 and #1142 lamps. Warrantied for 5 years, average rated life is 25,000 hours.

CODE	DESCRIPTION	WATTAGE	NO. OF DIODES	LUMENS	EFFICACY	BASE	REPLACES
487144-2700K	LED-ENC-BA15S-3SMD-12V-2700K	3 W	36	220	73 lm/W	BA15S	#1141
487147-2700K	LED-ENC-BA15D-3SMD-12V-2700K	3 W	36	220	73 lm/W	BA15D	#1142
487145-2700K	LED-ENC-BA15S-3SMD-12V-2700K	4 W	48	320	80 lm/W	BA15S	#1141
487144-3000K	LED-ENC-BA15S-3SMD-12V-3000K	3 W	36	220	73 lm/W	BA15S	#1141
487147-3000K	LED-ENC-BA15D-3SMD-12V-3000K	3 W	36	220	73 lm/W	BA15D	#1142
487145-3000K	LED-ENC-BA15S-3SMD-12V-3000K	4 W	48	320	80 lm/W	BA15S	#1141