

Type:

Model:

**MR16 5 W LED Lamps**

**SPECIFICATIONS**

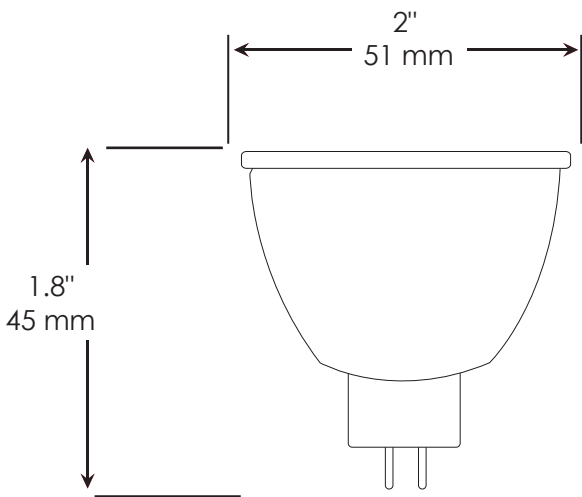
**BASE:** GU5.3 bi-pin base

**VOLTAGE:** 9-15V AC/DC

**WATTAGE:** 5W

**CRI:** 85+

**WARRANTY:** Five years



The 9-15-volt MR16 5-watt LED lamp is fully dimmable and utilizes Cree chip technology. Warrantied for 5 years, it will last in most applications for more than 50,000 hours. UL approved for enclosed fixtures and damp locations.

MODEL	BEAM SPREAD	COLOR TEMPERATURE	CBCP	LUMENS	EFFICACY	CRI
486785 LED-MR16-5XBD-27K-15°	15°	2700K	1690	300	60 lm/W	85+
486828 LED-MR16-5XBD-WW-15°	15°	3000K	1694	320	62 lm/W	85+
486786 LED-MR16-5XBD-27K-25°	25°	2700K	1084	300	60 lm/W	85+
486831 LED-MR16-5XBD-WW-25°	25°	3000K	1098	320	62 lm/W	85+
486787 LED-MR16-5XBD-27K-40°	40°	2700K	820	300	60 lm/W	85+
486818 LED-MR16-5XBD-WW-40°	40°	3000K	818	320	62 lm/W	85+
486788 LED-MR16-5XBD-27K-60°	60°	2700K	410	300	60 lm/W	85+
486825 LED-MR16-5XBD-WW-60°	60°	3000K	420	320	62 lm/W	85+
486789 LED-MR16-5XBD-27K-100°	100°	2700K	205	300	60 lm/W	85+
486834 LED-MR16-5XBD-WW-100°	100°	3000K	205	320	62 lm/W	85+