

Type:

Model:



## MR16 7W LED Lamps

### SPECIFICATIONS

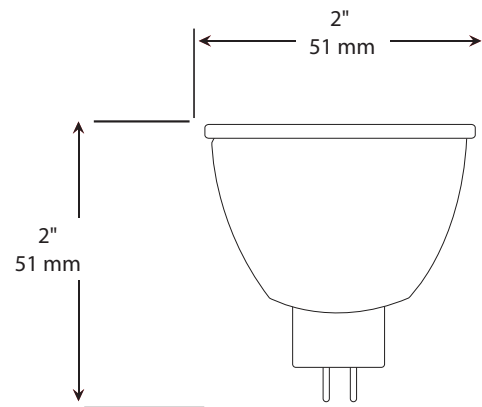
**BASE:** GU5.3 bi-pin base

**VOLTAGE:** 12-24V AC/DC

**WATTAGE:** 7W

**WARRANTY:** Five Years

Not compatible with the Fairmont, Soho, Contemporary, Delano, Tides, and Solara.



The 12-24 volt MR16 7-watt LED lamp is fully dimmable and utilizes Samsung chip technology. Warrantied for 5 years, it will last in most applications for more than 50,000 hours. Approved for enclosed fixtures and damp locations..

MODEL	BEAM SPREAD	COLOR TEMP.	LUMENS	EFFICACY	CRI
487068 LED-MR16-7S-2700K-15°	15°	2700K	590	84 lm/W	80+
487069 LED-MR16-7S-2700K-30°	30°	2700K	590	84 lm/W	80+
487070 LED-MR16-7S-2700K-45°	45°	2700K	590	84 lm/W	80+
487071 LED-MR16-7S-2700K-60°	60°	2700K	590	84 lm/W	80+
487072 LED-MR16-7S-2700K-120° (Available Q3-2021)	120°	2700K	590	84 lm/W	80+
487073 LED-MR16-7S-3000K-15°	15°	3000K	615	88 lm/W	80+
487074 LED-MR16-7S-3000K-30°	30°	3000K	615	88 lm/W	80+
487075 LED-MR16-7S-3000K-45°	45°	3000K	615	88 lm/W	80+
487076 LED-MR16-7S-3000K-60°	60°	3000K	615	88 lm/W	80+
487077 LED-MR16-7S-3000K-120° (Available Q3-2021)	120°	3000K	615	88 lm/W	80+