

Type:

Model:

**BISTRO STRING LIGHTS WITH HANGING SOCKETS**

**SPECIFICATIONS**

**MAXIMUM AMPS:** 10 AMPS

**VOLTAGE:** 12V

**WIRING:** UL 14AWG black. Male and female plug for additional strings.

**SOCKETS:** E26 (medium) base brass sockets at 24-inch (610 mm) spacing.

**LENGTH:** 300 feet (91.44 m). Custom lengths are available.

**AGENCY LISTINGS:** ETL listed at 50' and 100' lengths only. IP44.

**WARRANTY:** Five years.

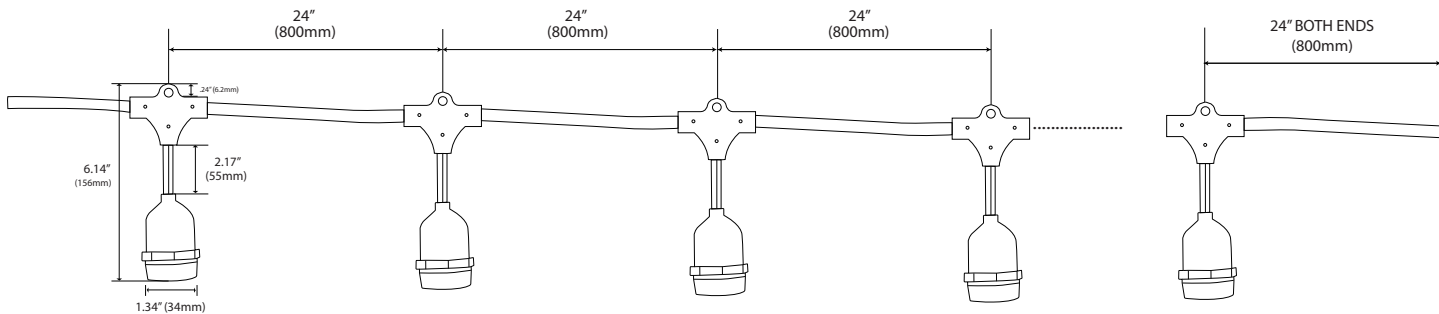
Lamps not included must be ordered separately. Please see chart on page 2.



Commercial-grade Bistro Boss string lights with suspended sockets are excellent for hospitality and indoor/outdoor patio applications.

**DIMENSIONS:**

**SUSPENDED 300 FT (91.44 M)**



**FILAMENT LAMP SPECIFICATIONS**

**LAMP TYPE:**

12V (9-15VAC) ST14 lamp with 5-year warranty.

**COLOR TEMPERATURES:**

Color temperature options provide the following qualities: 2700K.

**FIXTURE ORDERING INFORMATION**

To order a fixture, select the appropriate choice from each column as in the following example:

EXAMPLE: 490956



FIXTURES		LAMPS		
Model	490956	Model	490923	490924
Description	BSL-NS-E26-150-300	Description	LED-ST14-12V-1W-CL-XWW-E26	LED-ST14-12V-2W-CL-XWW-E26
		Wattage	1W	2W
Length	300 feet	Voltage	12V AC/DC	12V AC/DC
		Color Temperature	2700K	2700K
E26 Sockets	150	Lumens	100 lm	200 lm
		Efficacy	100 lm/W	100 lm/W