

Type:

Model:

**TIBURON 4" x 4" x 36" 12V LED Bollard**

**ORDERING CODE:**  
489581

**SPECIFICATIONS**

**HOUSING:**

Architectural-grade (6063-T6) 1/8" aluminum. 3/16"-thick aluminum base plate.

**STANDARD POWDER COAT COLORS:**

Fine Texture Black is the standard color for the Beach Club. Available in additional colors per the chart below. Other custom colors are also available.

**SOCKET AND LAMP:**

12V 7W 120° 3000K MR16 Dauer LED replaceable lamp (486720) included.

**ZINC ANODE:**

3/8-16 NPT replacement zinc anode (502021) included.

**MOUNTING OPTIONS:**

Deck Mounting and Concrete Mounting hardware included. Stake mount option can be ordered separately (489600).

**OTHER OPTIONS:**

Also available in 2700K. Four-sided design is standard, but can be ordered with black-out on 1, 2, or 3 sides. Any custom color is available. Custom designs and logos available. Interior kit available. With or without diffuser option available.

**WIRING:**

Pre-wired with 5' 18/2 lead.

**WARRANTY:**

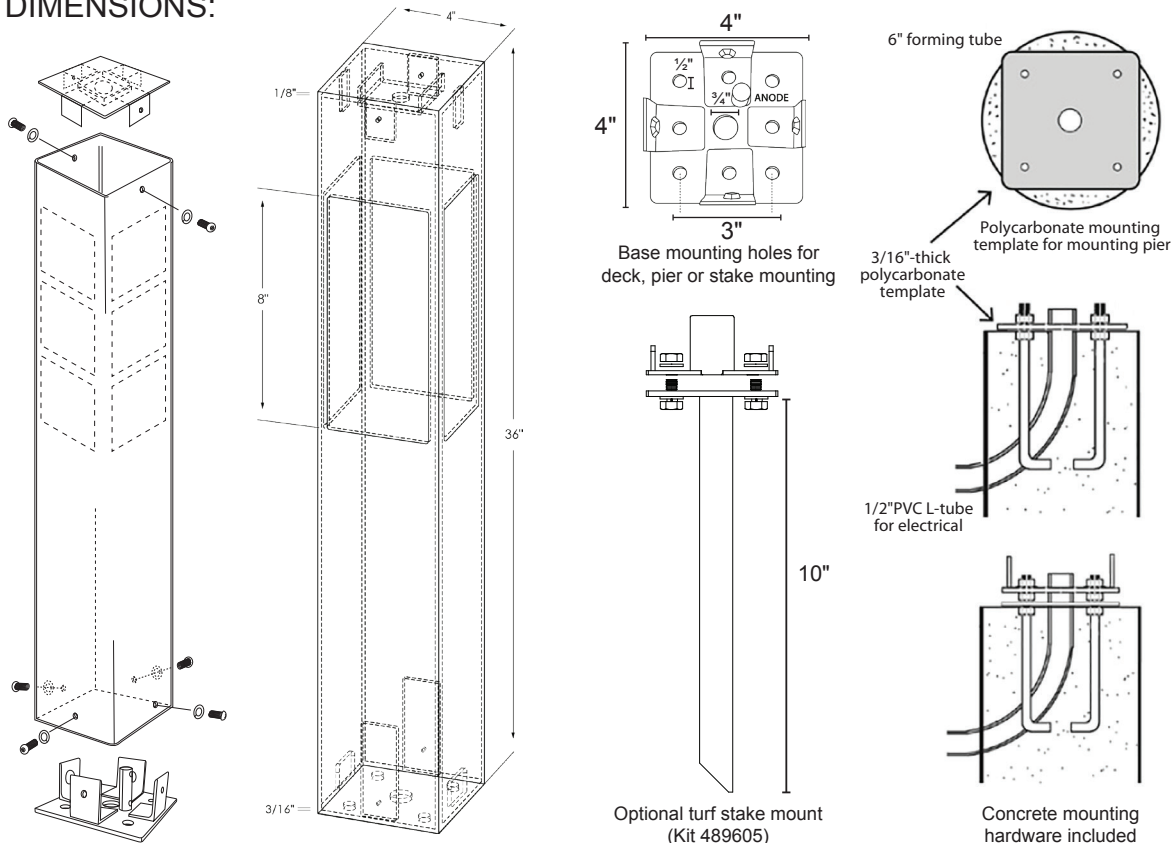
5 years on the fixture, powder coating and replaceable LED lamp.

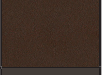
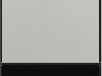




From Dauer's Silhouette Collection, Tiburon 4x4x36 bollard is crafted in America from architectural-grade aluminum for lifelong service. Anchors securely and easily to decks, poured concrete, or on a turf stake. Standard four face with acrylic. Custom options available.

*Shown in fine Texture Black.*

**DIMENSIONS:**



Cardinal C291-GN20 Patina Texture Semi Gloss	
Cardinal T091-GN57 Verdigris Texture Semi Gloss	
Cardinal T013-RD15 Red Hammer Semi Gloss	
Tiger Drylac 39/40002 Sapphire Hammer	
TCI Powders 9016-8336 Burst Rust	
Tiger Drylac 38/60080 Statuary Bronze	
Tiger Drylac 49/92910 Silver Matte	
Tiger Drylac 39/81420 Jet Black Hammer	
TCI Powders 9030-90922 SD Flat Black	
Powder Buy the Pound SK4331 Fine Textured Black	
Cardinal T012-WH260 White Hammer Semi Gloss	
PPG PCT23104 Vintage Bronze Texture	
Primastic PVB-8109 Jade/Copper	
Cardinal T064-BL95 Blue Hammer Semi Gloss	