

Type:

Model:

DELANO MR16 Well Light with Shroud

ORDER NUMBER:

490065

SPECIFICATIONS

HOUSING:

Cast brass in-grade base with an angled shroud. H5 Hex, Requires a 3mm Hex tool for installation.

FINISH:

Weathered brass. Custom powder coated colors available.

SOCKET/LAMP HOLDER:

One fixed ceramic bi-pin socket with stainless steel retaining springs.

LENS:

Clear convex tempered glass.

LAMP TYPE:

12V MR16. LED recommended. 30W halogen or 7W LED maximum.

MOUNTING:

Installs in-grade.

WIRING:

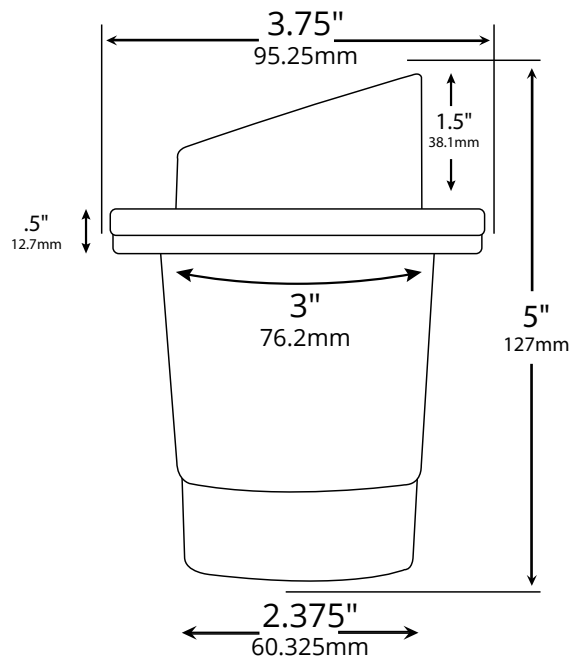
Pre-wired with 5' pigtail of 18/2 cable.

WARRANTY:

Lifetime.



DIMENSIONS:



LED LAMP SPECIFICATIONS

LAMP TYPE:

12V Dauer MR16 lamp with 5-year warranty, dimmable, and suitable for enclosed luminaires.

OPTICS:

Integral optics providing available beam spreads from 15° to 60°.

COLOR TEMPERATURES:

Color temperature options provide the following qualities: 2700K or 3000K. Decorative color light options include amber, blue, green, red and purple.

FIXTURE ORDERING INFORMATION

To order a lamped fixture, select the appropriate choice from each column as in the following example:

EXAMPLE: 490065-5W-40-2700K

FIXTURE	LAMP		
490065	WATTAGE	BEAM SPREAD	COLOR TEMP.
	2W	25° / 40° / 60°	2700K / 3000K
	3W	25° / 40° / 60°	2700K / 3000K
	4W	25° / 40° / 60°	2700K / 3000K
	5W	15° / 25° / 40° / 60°	2700K / 3000K
		25°	Amber / Blue / Green / Red
	5W	38°	Purple
	6W	25° / 40° / 60°	2700K / 3000K
	7W	15° / 25° / 40°	2700K / 3000K

