

Type:

Model:

## CONTEMPORARY Adjustable Gimbal Well Light Fixture

**ORDER NUMBER:**

490068

**SPECIFICATIONS**

**HOUSING:**

Derived from the original Bentley well light, the Contemporary features a square cast brass faceplate with composite body. Aluminum gimbal. H5 Hex, need 3mm Hex tool for installation.

**FINISH:**

Weathered brass. Custom powder coated colors available.

**SOCKET/LAMP HOLDER:**

One fixed ceramic bi-pin socket with stainless steel retaining springs, on an adjustable gimbal.

**LENS:**

Clear flat tempered glass.

**LAMP TYPE:**

12V MR16. LED recommended. 35W halogen or 7W LED maximum.

**MOUNTING:**

Installs in-grade.

**WIRING:**

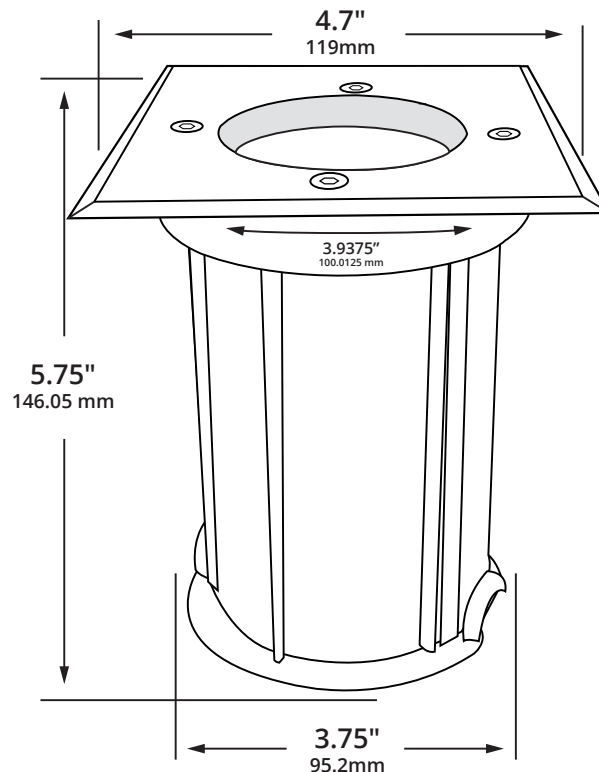
Pre-wired with 5' pigtail of 18/2 cable.

**WARRANTY:**

Lifetime



**DIMENSIONS:**



LED LAMP SPECIFICATIONS

**LAMP TYPE:**

12V Dauer MR16 lamp with 5-year warranty, dimmable, and suitable for enclosed luminaires.

**OPTICS:**

Integral optics providing available beam spreads from 15° to 120°.

**COLOR TEMPERATURES:**

Color temperature options provide the following qualities: 2700K or 3000K. Decorative color light options include amber, blue, green, red and purple.

**FIXTURE ORDERING INFORMATION**

To order a lamped fixture, select the appropriate choice from each column as in the following example:

EXAMPLE: 490068-5W-40-2700K

FIXTURE	LAMP		
	WATTAGE	BEAM SPREAD	COLOR TEMP.
490068	2W	25° / 40° / 60° / 100°	2700K / 3000K
	3W	25° / 40° / 60°	2700K / 3000K
	4W	25° / 40° / 60° / 100°	2700K / 3000K
	5W	15° / 25° / 40° / 60° / 100°	2700K / 3000K
		25°	Amber / Blue / Green / Red
	5W	38°	Purple
	6W	25° / 40° / 60°	2700K / 3000K
	7W	15° / 30° / 45° / 60° / 120°	2700K / 3000K



Gimbal detail