

Type:

Model:

MR16 2W LED Lamps

SPECIFICATIONS

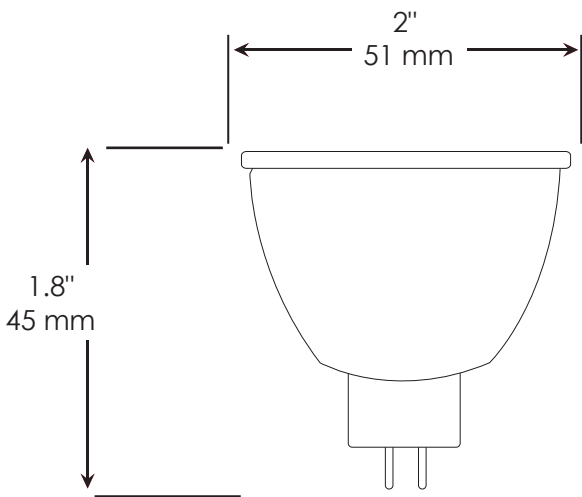
BASE: GU5.3 bi-pin base

VOLTAGE: 12V AC/DC

WATTAGE: 2W

CRI: 85+

WARRANTY: Five years



The 12-volt MR16 2-watt LED lamp is fully dimmable and utilizes Cree chip technology. Warrantied for 5 years, it will last in most applications for more than 50,000 hours. UL approved for enclosed fixtures and damp locations.

MODEL	BEAM SPREAD	COLOR TEMPERATURE	CBCP	LUMENS	EFFICACY	CRI
487039 LED-MR16-2XBD-27K-25°	25°	2700K	520	160	80 lm/W	85+
487040 LED-MR16-2XBD-WW-25°	25°	3000K	527	160	80 lm/W	85+
487043 LED-MR16-2XBD-27K-40°	40°	2700K	394	160	80 lm/W	85+
487044 LED-MR16-2XBD-WW-40°	40°	3000K	392	160	80 lm/W	85+
487047 LED-MR16-2XBD-27K-60°	60°	2700K	204	160	80 lm/W	85+
487048 LED-MR16-2XBD-WW-60°	60°	3000K	204	160	80 lm/W	85+
487051 LED-MR16-2XBD-27K-100°	100°	2700K	204	160	80 lm/W	85+
487052 LED-MR16-2XBD-WW-100°	100°	3000K	204	160	80 lm/W	85+