

Type:

Model:

MR16 4 W LED Lamps

SPECIFICATIONS

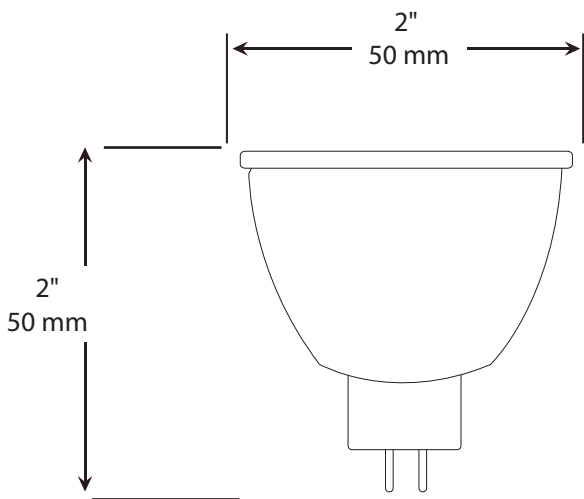
BASE: GU5.3 bi-pin base

VOLTAGE: 12V AC/DC

WATTAGE: 4W

CRI: 85+

WARRANTY: Five years



The 12-volt MR16 4-watt LED lamp is fully dimmable and utilizes Cree chip technology. Warrantied for 5 years, it will last in most applications for more than 50,000 hours. UL approved for enclosed fixtures and damp locations.

| MODEL | BEAM SPREAD | COLOR TEMPERATURE | CBCP | LUMENS | EFFICACY | CRI |
|-------------------------------|-------------|-------------------|------|--------|----------|-----|
| 487054 LED-MR16-4XBD-WW-15° | 15° | 3000K | 1355 | 250 | 62 lm/W | 85+ |
| 486781 LED-MR16-4XBD-27K-25° | 25° | 2700K | 867 | 240 | 60 lm/W | 85+ |
| 487057 LED-MR16-4XBD-WW-25° | 25° | 3000K | 878 | 250 | 62 lm/W | 85+ |
| 486782 LED-MR16-4XBD-27K-40° | 40° | 2700K | 656 | 240 | 60 lm/W | 85+ |
| 487060 LED-MR16-4XBD-WW-40° | 40° | 3000K | 654 | 250 | 62 lm/W | 85+ |
| 486783 LED-MR16-4XBD-27K-60° | 60° | 2700K | 330 | 240 | 60 lm/W | 85+ |
| 487063 LED-MR16-4XBD-WW-60° | 60° | 3000K | 340 | 250 | 62 lm/W | 85+ |
| 486784 LED-MR16-4XBD-27K-100° | 100° | 2700K | 340 | 240 | 60 lm/W | 85+ |
| 487066 LED-MR16-4XBD-WW-100° | 100° | 3000K | 340 | 250 | 62 lm/W | 85+ |