

Type:

Model:

MR16 7W LED Lamps

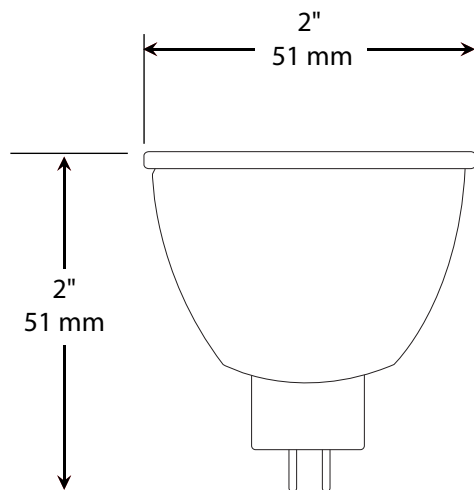
SPECIFICATIONS

BASE: GU5.3 bi-pin base

VOLTAGE: 12-24V AC/DC

WATTAGE: 7W

WARRANTY: Five Years



The 12-24 volt MR16 7-watt LED lamp is fully dimmable and utilizes Samsung chip technology. Warrantied for 5 years, it will last in most applications for more than 50,000 hours. Approved for enclosed fixtures and damp locations.

MODEL	BEAM SPREAD	COLOR TEMP.	LUMENS	EFFICACY	CRI
487068 LED-MR16-7S-2700K-15°	15°	2700K	590	84 lm/W	80+
487069 LED-MR16-7S-2700K-30°	30°	2700K	590	84 lm/W	80+
487070 LED-MR16-7S-2700K-45°	45°	2700K	590	84 lm/W	80+
487071 LED-MR16-7S-2700K-60°	60°	2700K	590	84 lm/W	80+
487072 LED-MR16-7S-2700K-120°	120°	2700K	590	84 lm/W	80+
487073 LED-MR16-7S-3000K-15°	15°	3000K	615	88 lm/W	80+
487074 LED-MR16-7S-3000K-30°	30°	3000K	615	88 lm/W	80+
487075 LED-MR16-7S-3000K-45°	45°	3000K	615	88 lm/W	80+
487076 LED-MR16-7S-3000K-60°	60°	3000K	615	88 lm/W	80+
487077 LED-MR16-7S-3000K-120°	120°	3000K	615	88 lm/W	80+