

Type:

Model:

ARCHER SR Integrated Path Light

ORDERING CODE:
489914-2700K
489914-3000K

SPECIFICATIONS

HOUSING:
Cast brass.

FINISH:
Weathered brass. Architectural colors and custom powder coated colors available.

INTEGRATED LED:
LED array. 4W. 12V. 300 lumens. 3.52 VA. 2700K or 3000K color temperature. 80 CRI.




LENS:
Frosted flat tempered glass.

MOUNTING:
Set-screw-locked 1/2" NPT brass coupling. Heavy-duty composite stake included. May be mounted into threaded hubs in junction boxes or mounting accessories.

WIRING:
Pre-wired with 5' pigtail of 18/2 cable.

WARRANTY:
Ten Years.

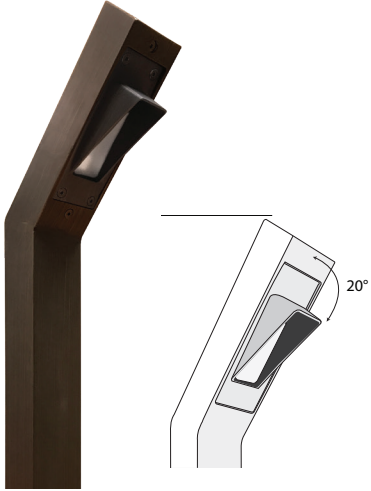
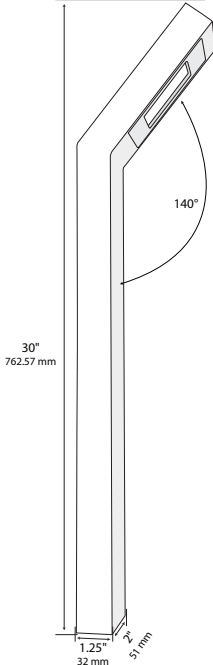
ARCHITECTURAL COLORS:

| | | |
|---------------------|---|-------------------------------------|
| FINE TEXTURE SILVER |  | 489914-2700K-S 489914-3000K-S |
| FINE TEXTURE WHITE |  | 489914-2700K-WH 489914-3000K-WH |
| FINE TEXTURE BLACK |  | 489914-2700K-BLK 489914-3000K-BLK |



The Archer is a sculpted one-piece path light solution. The mounting coupling locks with set screws for precise rotational alignment. Shroud option (included) to control glare.

DIMENSIONS:



With optional (included) shroud.