

Type:

Model:

ARCHER SR Integrated Path Light

ORDERING CODE:

489914-2700K

489914-3000K

SPECIFICATIONS

HOUSING:

Cast brass.

FINISH:

Weathered brass. Architectural colors and custom powder coated colors available.

INTEGRATED LED:

LED array. 4W. 12V. 300 lumens. 3.52 VA. 2700K or 3000K color temperature.

LENS:

Frosted flat tempered glass.

MOUNTING:

Set-screw-locked 1/2" NPT brass coupling. Heavy-duty composite stake included.

May be mounted into threaded hubs in junction boxes or mounting accessories.




WIRING:

Pre-wired with 5' pigtail of 18/2 cable.

WARRANTY:

Ten Years.

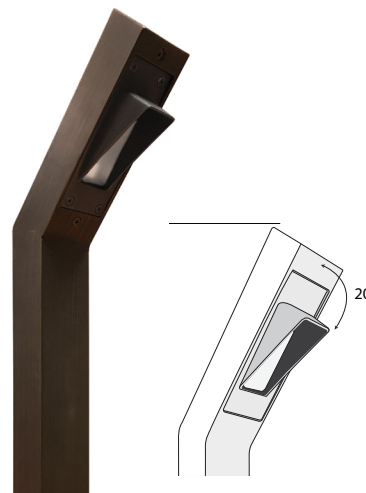
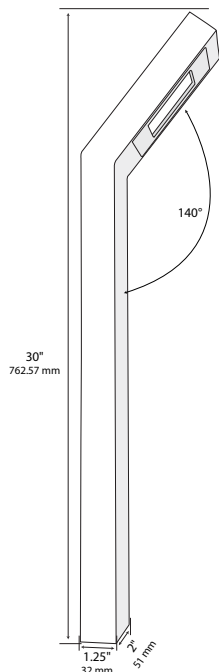
ARCHITECTURAL COLORS:

FINE TEXTURE SILVER		489914-2700K-S 489914-3000K-S
FINE TEXTURE WHITE		489914-2700K-WH 489914-3000K-WH
FINE TEXTURE BLACK		489914-2700K-BLK 489914-3000K-BLK



The Archer is a sculpted one-piece path light solution. The mounting coupling locks with set screws for precise rotational alignment. Shroud option (included) to control glare.

DIMENSIONS:



With optional (included) shroud.