

Type:

Model:

12V SMD Decorative Color Bi-Pin

SPECIFICATIONS

BASE:

G4 bi-pin base

VOLTAGE:

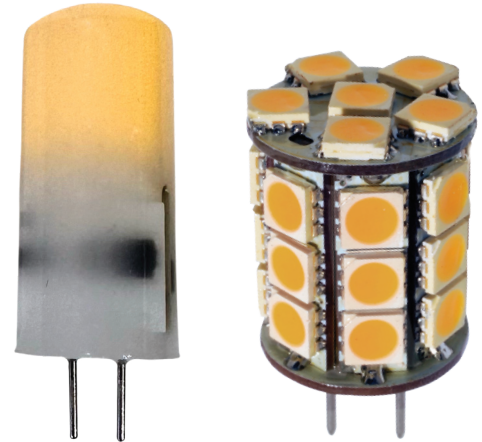
12V AC/DC

WATTAGE:

3.3W-4W, dimmable.

WARRANTY:

Five years

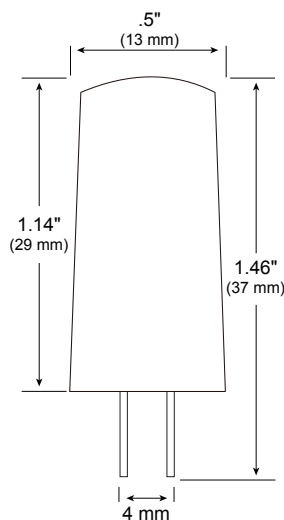


CODE	PRODUCT DESCRIPTION	BASE	VOLTAGE	WATTAGE
487118	LED3E-G4-B 12V 3W BLUE	G4	12V AC/DC	3.3W
487119	LED3E-G4-G 12V 3W GREEN	G4	12V AC/DC	3.3W
487120	LED3E-G4-R 12V 3W RED	G4	12V AC/DC	3.3W
487123	LED-ENC-G4-4SMD-12V-AMBER	G4	12V AC/DC	4W

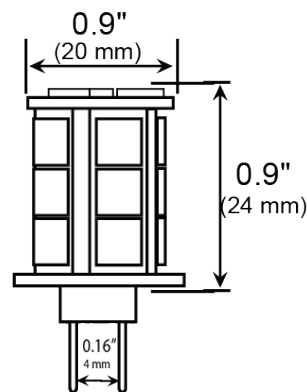
The Dauer bi-pin is a high powered 12 Volt LED lamp. The Dauer bi-pin is a highly efficient LED which uses only 3.3 or 4 watts of energy while maintaining a very nice quality of light. It is virtually identical in physical size to a standard bi-pin which makes it ideal for many different lighting applications including accent lighting. All Dauer bi-pins have been manufactured and tested in accordance with RoHS. Dauer products contain no mercury.



DIMENSIONS:



487123-WL



487120-WL