

Type:

Model:

KONA-TIKI LED Bi-Pin Path Light Fixture

ORDERING CODE:

490022

SPECIFICATIONS

HOUSING:

Cast brass.

FINISH:

Weathered brass. Custom powder coated colors available.

LENS:

Clear tempered glass lens.

STEMS:

10" (Model 490025), 16" (Model 490023) and 18" (Model 490026) stems are sold separately.

SOCKET/LAMP HOLDER:

One fixed ceramic bi-pin socket in stem accepts bi-pin lamps with G4 or GY6.35 bases.

LAMP TYPE:

12V bi-pin. LED recommended. Halogen 35W maximum or 6W LED maximum.

MOUNTING:

1/2" NPT. Heavy-duty composite stake included with stem. May be mounted into threaded hubs in junction boxes or other mounting accessories.

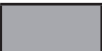

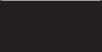
WIRING:

Pre-wired with 5' pigtail of 18/2 cable.

WARRANTY:

Lifetime.

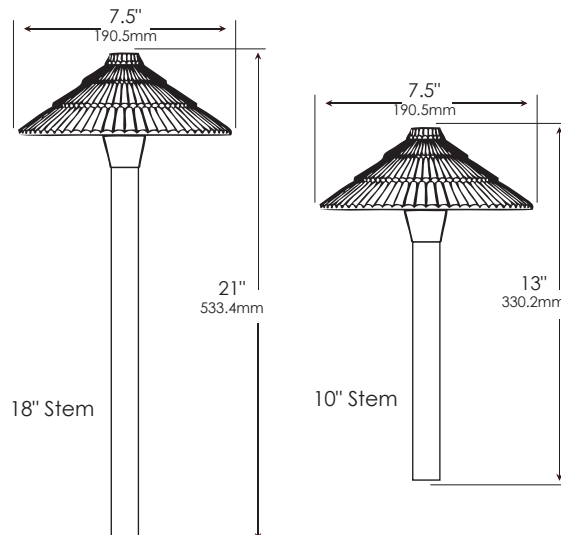
ARCHITECTURAL COLORS:

FINE TEXTURE SILVER		490022-S
FINE TEXTURE WHITE		490022-WH
FINE TEXTURE BLACK		490022-BLK



The Kona-Tiki path light features a 7.5-inch-diameter cast brass hat with tropical decorative sculpting. Impact-resistant clear lens and reflective white undersurface. Approved as sea-turtle and wildlife-safe by the Florida Fish and Wildlife Conservation Commission and the U.S. Fish and Wildlife Service when used with a wildlife-safe Dauer LED lamp.

DIMENSIONS:



LED LAMP SPECIFICATIONS

LAMP TYPE:

Dauer encapsulated bi-pin with 5-year warranty.

COLOR TEMPERATURES:

2700K or 3000K. Decorative colors include amber, blue, green and red.



FIXTURE ORDERING INFORMATION

To order a lamped fixture with mounting options, select the appropriate choice from each column as in the following example:

EXAMPLE: 490022-490025-4W-S-2700K-MS

FIXTURE	STEM	LAMP			MOUNTING
		WATTAGE	TYPE	COLOR TEMP.	
490022 490022-S 490022-WH 490022-BLK	490025 (10")	2W	E Encapsulated bi-pin	2700K / 3000K	MS Composite stake (incl.) 490034 M3 Trident Heavy-Duty 3-Prong Stake 490036 PM Round pier mount 490057 MR Round tapered 3-hole surface mount 490048 MP PVC/Brass post stake 490037
	490023 (16")	3W	E Encapsulated bi-pin	2700K / 3000K	
	490026 (18")	3.3W	S Encapsulated bi-pin	Amber / Blue / Green / Red	
		4W	E Encapsulated bi-pin	Amber	
		4W	E Encapsulated bi-pin	2700K / 3000K	
		4W	E Encapsulated bi-pin	2700K-HO / 3000K-HO	