

Type:

Model:

KONA-TIKI Wildlife Safe LED Bi-Pin Path Light

ORDERING CODE:

490022

SPECIFICATIONS

HOUSING:

Cast brass.

FINISH:

Weathered brass. Custom powder coated colors available.

LENS:

Clear tempered glass lens.

STEMS:

10" (Model 490025), 16" (Model 490023) and 18" (Model 490026) stems are sold separately.

SOCKET/LAMP HOLDER:

One fixed ceramic bi-pin socket in stem accepts bi-pin lamps with G4 or GY6.35 bases.

LAMP TYPE:

12V bi-pin. LED recommended. Halogen 35W maximum or 6W LED maximum.

MOUNTING:

1/2" NPT. Heavy-duty composite stake included with stem. May be mounted into threaded hubs in junction boxes or other mounting accessories.




WIRING:

Pre-wired with 5' pigtail of 18/2 cable.

WARRANTY:

Lifetime.

ARCHITECTURAL COLORS:

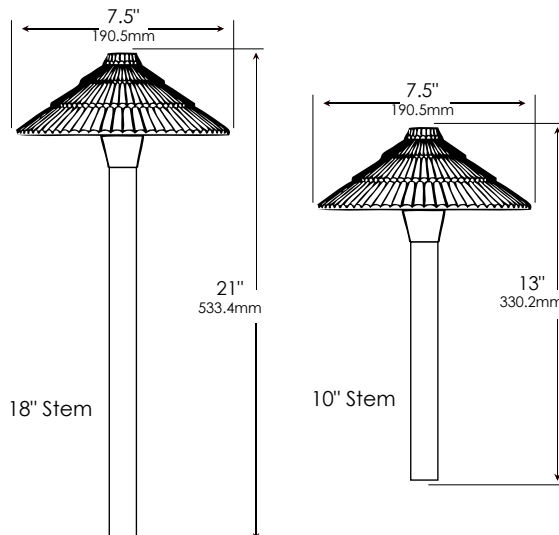
FINE TEXTURE SILVER		490022-S
FINE TEXTURE WHITE		490022-WH
FINE TEXTURE BLACK		490022-BLK



Intertek

The Kona-Tiki path light features a 7.5-inch-diameter cast brass hat with tropical decorative sculpting. Impact-resistant clear lens and reflective white undersurface. Approved as sea-turtle and wildlife-safe by the Florida Fish and Wildlife Conservation Commission and the U.S. Fish and Wildlife Service when used with a wildlife-safe Dauer LED lamp.

DIMENSIONS:



LED LAMP SPECIFICATIONS

LAMP TYPE:

Dauer encapsulated bi-pin with 5-year warranty.

COLOR TEMPERATURES:

Wildlife-approved, amber and red.

These fixtures are only deemed wildlife approved if they utilize a wildlife-approved amber or red bulb as per the chart below.



FIXTURE ORDERING INFORMATION

To order a lamped fixture with mounting options, select the appropriate choice from each column as in the following example:

EXAMPLE: 490022-490025-487123-WL-MS

FIXTURE	STEM	LAMP					MOUNTING
		ORDER NO.	COLOR	DESCRIPTION	WATTAGE	NANOMETER RANGE	
490022	490025 (10")	487123-WL	Amber-WL	Encap. Bi-pin G4	4W	585-595	MS Composite stake (incl.) 490034 M3 Trident Heavy-Duty 3-Prong Stake 490036 PM Round pier mount 490057 MR Round tapered 3-hole surface mount 490048 MP PVC/Brass post stake 490037
490022-S		487120-WL	Red-WL	Bi-pin G4	3W	610-645	
490022-WH	490023 (16")						
490022-BLK							
	490026 (18")						