

Type:

Model:

## KONA-TIKI Wildlife Safe LED Bi-Pin Path Light

**ORDERING CODE:**

490022

**SPECIFICATIONS**

**HOUSING:**

Cast brass.

**FINISH:**

Weathered brass. Custom powder coated colors available.

**LENS:**

Clear tempered glass lens.

**STEMS:**

10" (Model 490025), 16" (Model 490023) and 18" (Model 490026) stems are sold separately.

**SOCKET/LAMP HOLDER:**

One fixed ceramic bi-pin socket in stem accepts bi-pin lamps with G4 or GY6.35 bases.

**LAMP TYPE:**

12V bi-pin. LED recommended. Halogen 35W maximum or 6W LED maximum.

**MOUNTING:**

1/2" NPT. Heavy-duty composite stake included with stem. May be mounted into threaded hubs in junction boxes or other mounting accessories.

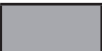

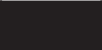
**WIRING:**

Pre-wired with 5' pigtail of 18/2 cable.

**WARRANTY:**

Lifetime.

**ARCHITECTURAL COLORS:**

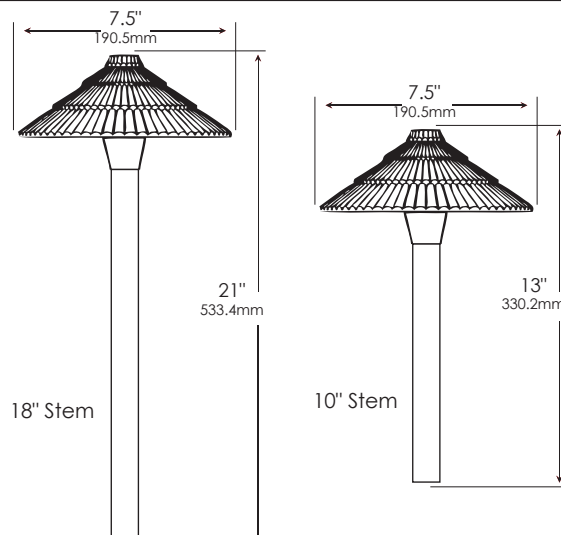
<b>FINE TEXTURE SILVER</b>		490022-S
<b>FINE TEXTURE WHITE</b>		490022-WH
<b>FINE TEXTURE BLACK</b>		490022-BLK



Intertek

The Kona-Tiki path light features a 7.5-inch-diameter cast brass hat with tropical decorative sculpting. Impact-resistant clear lens and reflective white undersurface. Approved as sea-turtle and wildlife-safe by the Florida Fish and Wildlife Conservation Commission and the U.S. Fish and Wildlife Service when used with a wildlife-safe Dauer LED lamp.

**DIMENSIONS:**



LED LAMP SPECIFICATIONS

**LAMP TYPE:**

Dauer encapsulated bi-pin with 5-year warranty.

**COLOR TEMPERATURES:**

Wildlife-approved amber.

*These fixtures are only deemed wildlife approved if they utilize a wildlife-approved amber bulb as per the chart below.*



**FIXTURE ORDERING INFORMATION**

To order a lamped fixture with mounting options, select the appropriate choice from each column as in the following example:

EXAMPLE: 490022-490025-487123-WL-MS

FIXTURE	STEM	LAMP					MOUNTING
		ORDER NO.	COLOR	DESCRIPTION	WATTAGE	NANOMETER RANGE	
490022	490025 (10")	487123-WL	Amber-WL	Encap. Bi-pin G4	4W	585-595	<b>MS</b> Composite stake (incl.) 490034 <b>M3</b> Trident Heavy-Duty 3-Prong Stake 490036 <b>PM</b> Round pier mount 490057 <b>MR</b> Round tapered 3-hole surface mount 490048 <b>MP</b> PVC/Brass post stake 490037
490022-S							
490022-WH	490023 (16")						
490022-BLK	490026 (18")						