

Type:

Model:

MANDARIN Wildlife Safe Path Light

ORDERING CODE:

490024

SPECIFICATIONS

HOUSING:

Cast brass.

FINISH:

Weathered brass. Custom powder coated colors available.

STEMS:

10" (Model 490025), 16" (Model 490023) and 18" (Model 490026) stems are sold separately.

LENS:

Clear polycarbonate lens.

SOCKET/LAMP HOLDER:

One fixed ceramic bi-pin socket in stem accepts bi-pin lamps with G4 or GY6.35 bases.

LAMP TYPE:

12V bi-pin. LED recommended. Halogen 30W maximum or 6W LED maximum.

MOUNTING:

Threaded with 1/2" NPT. Heavy-duty composite stake included with stem, sold separately. May be mounted into threaded hubs in junction boxes or other mounting accessories.



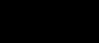
WIRING:

Stem (sold separately) is pre-wired with 5' pigtail of 18/2 cable.

WARRANTY:

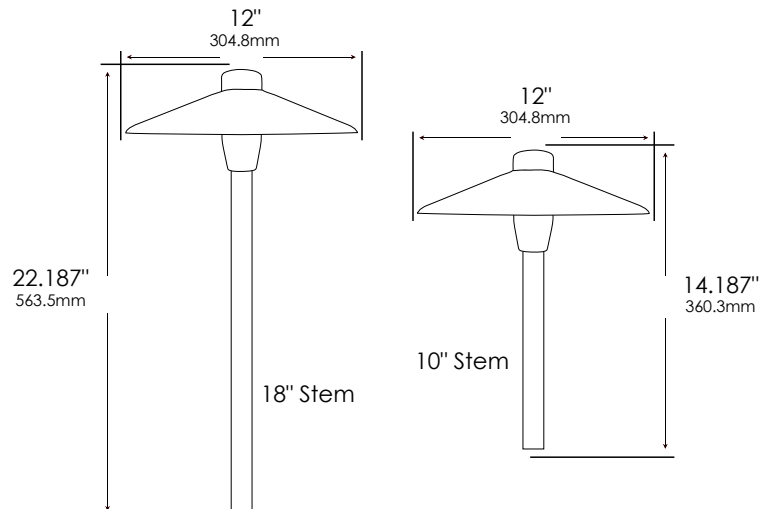
Lifetime.

ARCHITECTURAL COLORS:

FINE TEXTURE SILVER		490024-S
FINE TEXTURE WHITE		490024-WH
FINE TEXTURE BLACK		490024-BLK



DIMENSIONS:



LED LAMP SPECIFICATIONS

LAMP TYPE:

12V Dauer bi-pin with 5-year warranty, dimmable, and suitable for enclosed luminaires.

COLOR TEMPERATURES:

Wildlife-approved, amber and red.

These fixtures are only deemed wildlife approved if they utilize a wildlife-approved amber or red bulb as per the chart below.



FIXTURE ORDERING INFORMATION

To order a lamped fixture with mounting options, select the appropriate choice from each column as in the following example:

EXAMPLE: 490024-490025-487123-WL-MS

FIXTURE	STEM	LAMP					MOUNTING
		ORDER NO.	COLOR	DESCRIPTION	WATTAGE	NANOMETER RANGE	
490024	490025 (10")	487123-WL	Amber-WL	Encap. Bi-pin G4	4W	585-595	MS Composite stake (incl.) 490034 M3 Trident Heavy-Duty 3-Prong Stake 490036 PM Round pier mount 490057 MR Round tapered 3-hole surface mount 490048 MP PVC/Brass post stake 490037
490024-S		487120-WL	Red-WL	Bi-pin G4	3W	610-645	
490024-WH	490023 (16")						
490024-BLK							
	490026 (18")						