

Type:

Model:

CHURCHILL Hardscape Fixture

ORDERING CODE:

490080

SPECIFICATIONS

HOUSING:

Cast brass.

FINISH:

Weathered brass. Custom powder coated colors available.

LENS:

Clear glass.

SOCKET/LAMP HOLDER:

Two fixed ceramic bi-pin sockets accept bi-pin lamps with G4 or GY6.35 bases.

LAMP TYPE:

12V bi-pin. LED recommended. Halogen 30W maximum or 6W LED maximum.

MOUNTING:

Brass mounting plates facilitate mounting under a hardscape cap or flush to a wall.

WIRING:

Pre-wired with 5' pigtail of 18/2 cable.

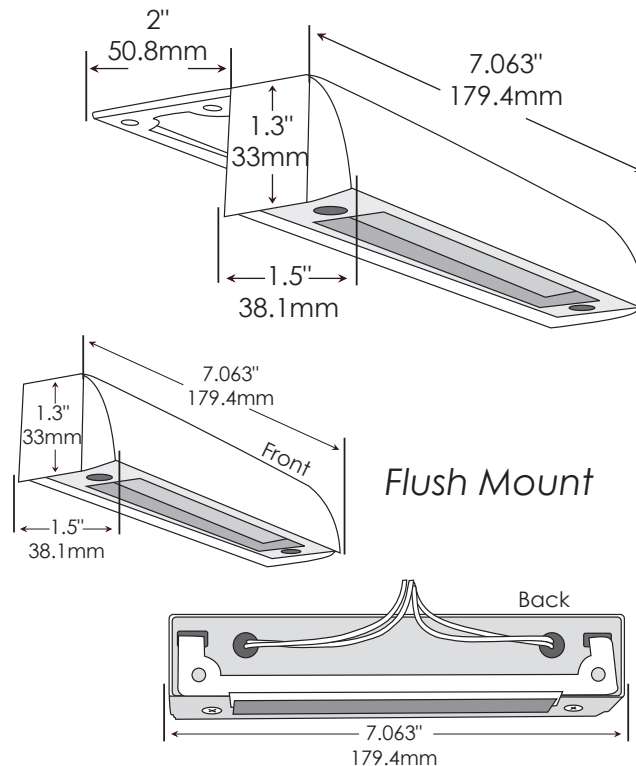
WARRANTY:

Lifetime.



DIMENSIONS:

Under Cap Mount



LED LAMP SPECIFICATIONS

LAMP TYPE:

Two 12V Dauer bi-pins with 5-year warranty, dimmable, and suitable for enclosed luminaires.

COLOR TEMPERATURES:

Color temperature options provide the following qualities: 2700k or 3000K. Decorative color light options include amber, blue, green, and red.

FIXTURE ORDERING INFORMATION

To order a lamped fixture with mounting options, select the appropriate choice from each column as in the following example:

EXAMPLE: 490090-4W-2700K

FIXTURE	LAMP	
490090	WATTAGE	COLOR TEMP.
	2W	2700K / 3000K
	3W	2700K / 3000K
	3.3W	Amber / Blue / Green / Red
	4W	Amber
	4W	2700K / 3000K
	4W	2700K-HO / 3000K-HO

