

Type:

Model:

**BALI LED Wildlife Safe Bi-Pin Path Light**

**ORDERING CODE:**

490112 (Bronze)  
490112-BLK (Black)

**SPECIFICATIONS**

**HOUSING:**

Cast aluminum.

**FINISH:**

Offered in architectural bronze and black.  
Custom powder coated colors available.

**LENS:**

Clear lens

**SOCKET/LAMP HOLDER:**

One fixed ceramic bi-pin socket in stem accepts bi-pin lamps with G4 or GY6.35 bases.

**LAMP TYPE:**

12V bi-pin. LED recommended. Halogen 35W maximum or 6W LED maximum.

**MOUNTING:**

1/2" NPT. Heavy-duty composite stake included.

**WIRING:**

Pre-wired with 5' pigtail of 18/2 cable.

**WARRANTY:**

Five years.

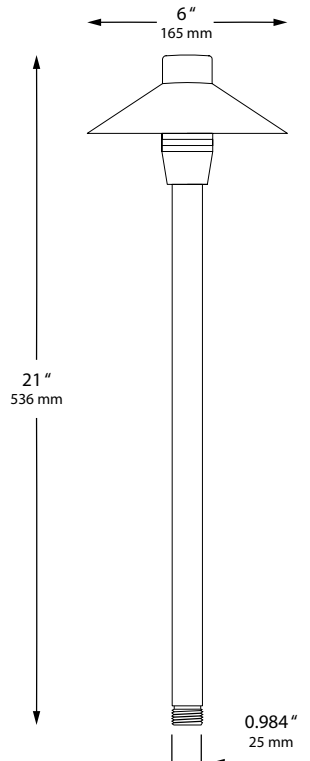


490112

490112-BLK



**DIMENSIONS:**



LED LAMP SPECIFICATIONS

**LAMP TYPE:**

Dauer encapsulated bi-pin with 5-year warranty.

**COLOR TEMPERATURES:**

Wildlife-approved, amber and red.

*These fixtures are only deemed wildlife approved if they utilize a wildlife-approved amber or red bulb as per the chart below.*



**FIXTURE ORDERING INFORMATION**

To order a lamped fixture with mounting options, select the appropriate choice from each column as in the following example:

EXAMPLE: 490112-490025-487123-WL-MS

FIXTURE	STEM	LAMP					MOUNTING
		ORDER NO.	COLOR	DESCRIPTION	WATTAGE	NANOMETER RANGE	
490112	490025 (10")	487123-WL	Amber-WL	Encap. Bi-pin G4	4w	585-595	<b>MS</b> Composite stake (incl.) 490034 <b>M3</b> Trident Heavy-Duty 3-Prong Stake 490036 <b>PM</b> Round pier mount 490057 <b>MR</b> Round tapered 3-hole surface mount 490048 <b>MP</b> PVC/Brass post stake 490037
490112-S							
490112-WH	490023 (16")	487120-WL	Red-WL	Bi-pin G4	3w	610-645	
490112-BLK							
	490026 (18")						