

Type:

Model:

ZEN Wildlife Safe LED Bi-Pin Path Light

ORDERING CODE:

490020 (clear lens) or 490021 (frosted lens)

SPECIFICATIONS

HOUSING:

Cast brass.

FINISH:

Weathered brass. Custom powder coated colors available.

LENS:

Polycarbonate

STEMS:

10" (Model 490025), 16" (Model 490023) and 18" (Model 490026) stems are sold separately.

SOCKET/LAMP HOLDER:

One fixed ceramic bi-pin socket in stem accepts bi-pin lamps with G4 or GY6.35 bases.

LAMP TYPE:

12V bi-pin. LED recommended. Halogen 35W maximum or 6W LED maximum.

MOUNTING:

1/2" NPT. Heavy-duty composite stake included with stem. May be mounted into threaded hubs in junction boxes or other mounting accessories.


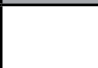

WIRING:

Pre-wired with 5' pigtail of 18/2 cable.

WARRANTY:

Lifetime.

ARCHITECTURAL COLORS:

FINE TEXTURE SILVER	
FINE TEXTURE WHITE	
FINE TEXTURE BLACK	

490020-S (clear lens)
490021-S (frosted lens)

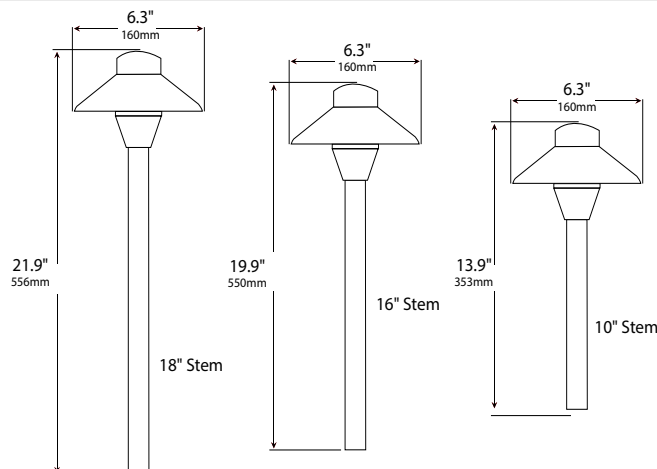
490020-WH (clear lens)
490021-WH (frosted lens)

490020-BLK (clear lens)
490021-BLK (frosted lens)



The Zen path light features a 6.3-inch-diameter cast brass hat. Its underside is a powder-coated reflective white surface. Impact-resistant clear or frosted lens options. Approved as sea-turtle and wildlife-safe by the Florida Fish and Wildlife Conservation Commission and the U.S. Fish and Wildlife Service when used with a wildlife-safe Dauer LED lamp.

DIMENSIONS:



LED LAMP SPECIFICATIONS

LAMP TYPE:

Dauer encapsulated bi-pin with 5-year warranty.

COLOR TEMPERATURES:

Wildlife-approved, amber and red.

These fixtures are only deemed wildlife approved if they utilize a wildlife-approved amber or red bulb as per the chart below.



FIXTURE ORDERING INFORMATION

To order a lamped fixture with mounting options, select the appropriate choice from each column as in the following example:

EXAMPLE: 490020-490025-487123-WL-MS

FIXTURE	STEM	LAMP					MOUNTING
(clear lens) 490020 490020-S 490020-WH 490020-BLK	490025 (10")	ORDER NO.	COLOR	DESCRIPTION	WATTAGE	NANOMETER RANGE	MS Composite stake (incl.) 490034 M3 Trident Heavy-Duty 3-Prong Stake 490036 PM Round pier mount 490057 MR Round tapered 3-hole surface mount 490048 MP PVC/Brass post stake 490037
		487123-WL	Amber-WL	Encap. Bi-pin G4	4W	585-595	
	490023 (16")	487120-WL	Red-WL	Bi-pin G4	3W	610-645	
(frosted lens) 490021 490021-S 490021-WH 490021-BLK	490026 (18")						