

Type:

Model:

VICEROY Wall Sconce Fixture

ORDERING CODE:

12V: 600580

120V: 600603

SPECIFICATIONS

HOUSING:

Powder coated architectural aluminum. Weatherproof top cap. Shown with straight-cut ends. Can be ordered with angle cuts.

FINISH:

Bronze. Custom powder coated colors available.

SOCKET/LAMP HOLDER:

Two 12V ceramic GU5.3 bi-pin sockets (Model 600580) with stainless steel retaining springs accept MR16 lamps with G4 or GY6.35 bases. Two 120V GU10 twist and lock sockets (Model 600603) accept GU10 lamps.

LENS:

Flat tempered glass.

LAMP TYPE:

12V MR16 (Model 600580) or 120V GU10 (Model 600603). LED recommended. Halogen 30W maximum or 7W LED maximum.

MOUNTING:

Mounts to standard electrical box with screws.

WIRING:

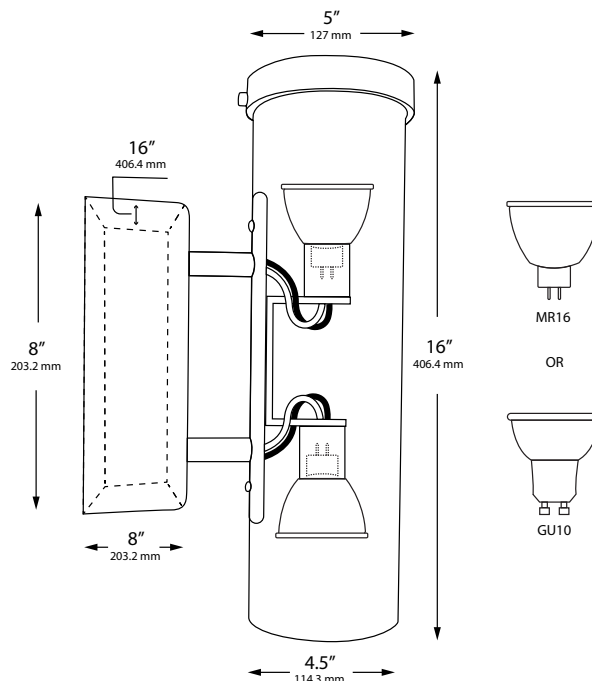
Pre-wired with 5' pigtail of 18/2 cable.

WARRANTY:

Five years.



DIMENSIONS:



LED LAMP SPECIFICATIONS

LAMP TYPES:

Two 12V Dauer MR16 lamps or two 120V Dauer GU10 lamps with 5-year warranty, dimmable, and suitable for enclosed luminaires.

OPTICS:

Integral optics providing available beam spreads from 15° to 120°.

COLOR TEMPERATURES:

Color temperature options provide the following qualities: 2700K, 3000K, 4000K or 5000K. Decorative color light options include amber, blue, green, red and purple.

FIXTURE ORDERING INFORMATION

To order a lamped fixture with mounting options, select the appropriate choice from each column as in the following example:

EXAMPLE: 600580-MR16-4W-25-2700K



FIXTURE		LAMP		
	TYPE	WATTAGE	BEAM SPREAD	COLOR TEMP.
600580	12V MR16	2W	25° / 40° / 60° / 100°	2700K / 3000K
		3W	25° / 40° / 60°	2700K / 3000K
		4W	25° / 40° / 60° / 100°	2700K / 3000K
		5W	15° / 25° / 40° / 60° / 100°	2700K / 3000K
			25°	Amber / Blue / Green / Red
		5W	38°	Purple
		6W	25° / 40° / 60°	2700K / 3000K
		7W	15° / 30° / 45° / 60° / 120°	2700K / 3000K
600603	120V GU10	5W	25°	Amber / Red
		7W	25° / 40°	2700K / 3000K / 4000K / 5000K