

Type:

Model:

## ROSEWOOD Adjustable Gimbal Well Light Fixture

**ORDERING CODE:**

490070

**SPECIFICATIONS**

**HOUSING:**

Cast brass faceplate. (Opens with 3 mm hex key.) Composite body. Aluminum gimbal.

**FINISH:**

Weathered brass. Custom powder coated colors available.

**SOCKET/LAMP HOLDER:**

One ceramic GU5.3 bi-pin socket with stainless steel retaining springs, on an adjustable gimbal, accepts MR16 lamps with G4 or GY6.35 bases.

**LENS:**

Flat tempered glass.

**LAMP TYPE:**

12V MR16. LED recommended. Halogen 30W maximum or 7W LED maximum.

**MOUNTING:**

Installs in-grade.

**WIRING:**

Pre-wired with 5' pigtail of 18/2 cable.

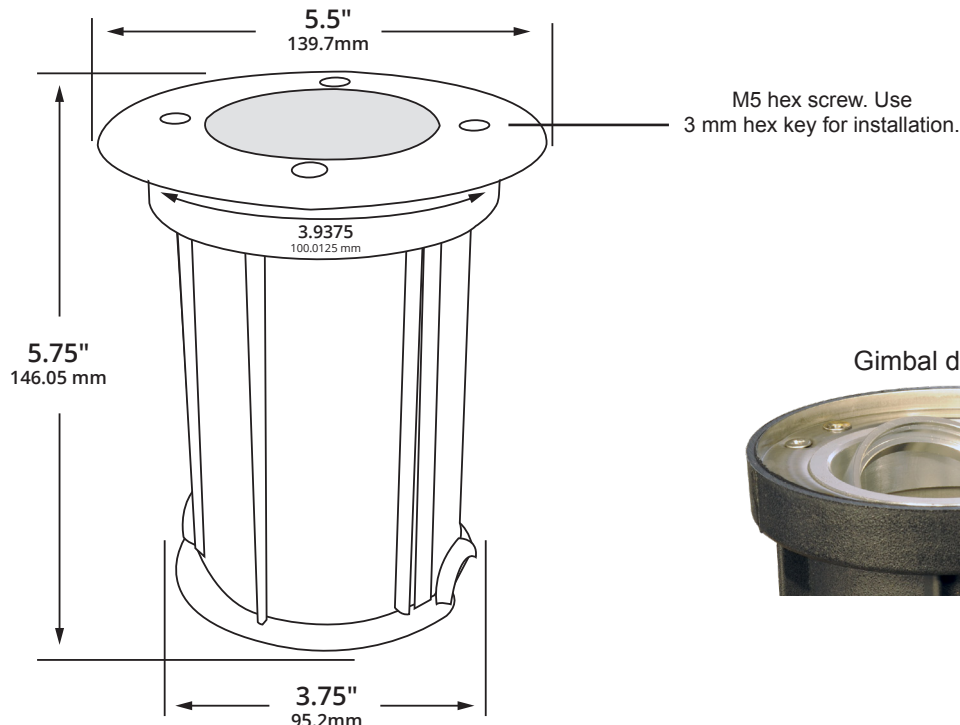
**WARRANTY:**

Lifetime.



The Rosewood well light has an easily adjustable gimbal mechanism that allows precise aiming of the lamp for angled uplighting. Cast brass faceplate with a gasketed heavy-duty composite body. Perfect for spotlighting signs and statuary, as well as for dramatic effects of tree shadows projected against walls.

### DIMENSIONS:



## LED LAMP SPECIFICATIONS

### LAMP TYPE:

12V Dauer MR16 lamp with 5-year warranty, dimmable, and suitable for enclosed luminaires.

### OPTICS:

Integral optics providing available beam spreads from 15° to 120°.

### COLOR TEMPERATURES:

Color temperature options provide the following qualities: 2700K or 3000K. Decorative color light options include amber, blue, green, red and purple.

## FIXTURE ORDERING INFORMATION

To order a lamped fixture with mounting options, select the appropriate choice from each column as in the following example:

EXAMPLE: 490070-MR16-4W-25-2700K

FIXTURE	LAMP		
490070	WATTAGE	BEAM SPREAD	COLOR TEMP.
	2W	25° / 40° / 60° / 100°	2700K / 3000K
	3W	25° / 40° / 60°	2700K / 3000K
	4W	25° / 40° / 60° / 100°	2700K / 3000K
	5W	15° / 25° / 40° / 60° / 100°	2700K / 3000K
		25°	Amber / Blue / Green / Red
	5W	38°	Purple
	6W	25° / 40° / 60°	2700K / 3000K
	7W	15° / 30° / 45° / 60° / 120°	2700K / 3000K

