

Type:

Model:

## SOHO LED MR16 Down Light Fixture

**ORDERING CODE:**

489980

**SPECIFICATIONS**

**HOUSING:**

Cast brass. Lock-and-load shroud with triple O-rings.

**FINISH:**

Weathered brass. Custom powder coated colors available.

**LENS:**

No lens.

**SOCKET/LAMP HOLDER:**

One fixed ceramic bi-pin socket with stainless steel retaining springs.

**LAMP TYPE:**

12V MR16. LED recommended. 30W halogen or 7W LED maximum.

**MOUNTING:**

Orbital swivel on end. Stem threaded with 1/2" NPT. May be mounted into threaded hubs in junction boxes or mounting accessories.

**WIRING:**

Pre-wired with 5' pigtail of 18/2 cable.

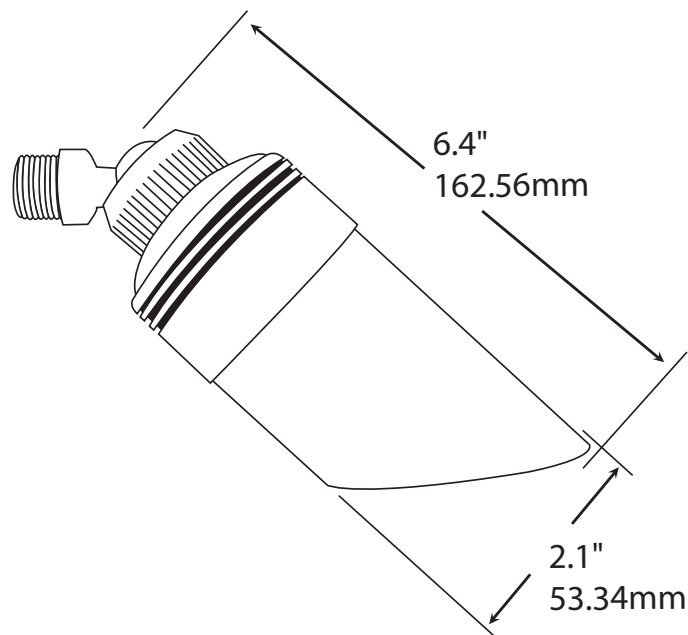
**WARRANTY:**

Lifetime.



The small Soho down light features an angled shroud from which a narrow or broad lamp can spread its light, precisely aimed by virtue of a locking orbital pivot. Shroud is adjustable in-and-out for beam control, and sealed by three O-rings.

### DIMENSIONS:



**LED LAMP SPECIFICATIONS**

**LAMP TYPE:**

12V Dauer MR16 lamp with 5-year warranty, dimmable, and suitable for enclosed luminaires.

**OPTICS:**

Integral optics providing available beam spreads from 15° to 60°.

**COLOR TEMPERATURES:**

Color temperature options provide the following qualities: 2700K or 3000K. Decorative color light options include amber, blue, green, red and purple.

**FIXTURE ORDERING INFORMATION**

To order a lamped fixture with mounting options, select the appropriate choice from each column as in the following example:

EXAMPLE: 489980-4W-25-2700K-MY



FIXTURE	LAMP			MOUNTING
	WATTAGE	BEAM SPREAD	COLOR TEMP.	
489980				<b>MY</b> Y-bracket surface mount - 490045
	2W	25° / 40° / 60°	2700K / 3000K	<b>TH9</b> Tree Hugger Strap Kit 9"- Max 14" - 490330
	3W	25° / 40° / 60°	2700K / 3000K	<b>TH15</b> Tree Hugger Strap Kit 15"- Max 22.5" - 490331
	4W	25° / 40° / 60°	2700K / 3000K	<b>TH24</b> Tree Hugger Strap Kit 24"- Max 31.5" - 490332
	5W	15° / 25° / 40° / 60°	2700K / 3000K	<b>TH36</b> Tree Hugger Strap Kit 36"- Max 46.5" - 490333
		25°	Amber / Blue / Green / Red	<b>TH48</b> Tree Hugger Strap Kit 48"- Max 61.5" - 490334
	5W	38°	Purple	<b>TM</b> Tree Mount - 490046
	6W	25° / 40° / 60°	2700K / 3000K	<b>N</b> Newhouse Brass Tree Mount J-Box - 490060
	7W	15° / 30° / 45° / 60°	2700K / 3000K	<b>MSM</b> Brass Micro Surface Mount 490049
<b>EM</b> Round Electrical Mounting Plate 490043				
			<b>RMP</b> Rectangular Electrical Mounting Plate 490044	