

Type:

Model:

## SONOMA Integrated Aluminum Path Light Fixture

**ORDERING CODE:**

489154-2700K

489154-3000K

**SPECIFICATIONS**

**HOUSING:**

Cast aluminum.

**FINISH:**

Architectural bronze. Custom powder-coated colors available.

**INTEGRATED LED:**

LED array. 3W. 12V. 300 lumens. 3.10 VA at 2700K, 3.10 VA at 3000K. 80 CRI.

**LENS:**

Clear polycarbonate.

**MOUNTING:**

1/2" NPT. Heavy-duty composite stake included with stem. May be mounted into threaded hubs in junction boxes or other mounting accessories.

**WIRING:**

Pre-wired with 5' pigtail of 18/2 cable.

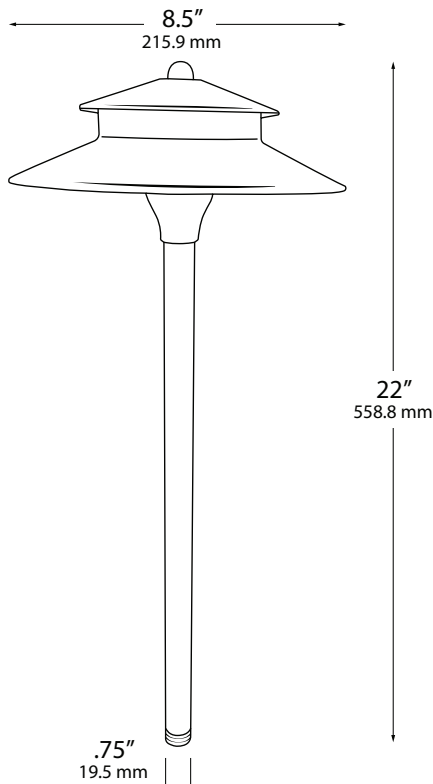
**WARRANTY:**

Ten years.



The Sonoma path light features an 8.5" diameter cast aluminum hat. Its underside is a powder-coated reflective white surface. 3W integrated LED with a 2700K or 3000K color temperature.

### DIMENSIONS:



**ORDERING CODES:**

MODEL	Volts	Wattage	Volt Amps	Lumens	Efficacy	Color Temp.	CRI
489154-2700K	12V	3W	3.10 VA	300 lm	100 lm/W	2700K	80 CRI
489154-3000K	12V	3W	3.10 VA	300 lm	100 lm/W	3000K	80 CRI



**FIXTURE ORDERING INFORMATION**

To order a fixture with mounting options, select the appropriate choice from each column as in the following example:

489154-2700K-MS-AR12

FIXTURE	MOUNTING	RISERS
<b>489154-2700K</b> <b>489154-3000K</b>	<b>MS</b> Composite stake (incl.) 490034 <b>ATM</b> Aluminum Tapered Surface Mount - 490187	<b>AR6</b> 6-Inch Aluminum Riser - 490181 <b>AR12</b> 12-Inch Aluminum Riser - 490182 <b>AR24</b> 24-Inch Aluminum Riser - 490183

