

Type:

Model:

HEMINGWAY Integrated Brass Path Light Fixture

ORDERING CODE:

489916-2700K

489916-3000K

SPECIFICATIONS

HOUSING:

Cast brass.

FINISH:

Weathered brass. Custom powder-coated colors available.

INTEGRATED LED:

LED array. 3W. 12V. 300 lumens. 3.16 VA at 2700K, 3.21 VA at 3000K.
80 CRI.

LENS:

Clear polycarbonate.

MOUNTING:

1/2" NPT. Heavy-duty composite stake included with stem. May be mounted into threaded hubs in junction boxes or other mounting accessories.

WIRING:

Pre-wired with 5' pigtail of 18/2 cable.

WARRANTY:

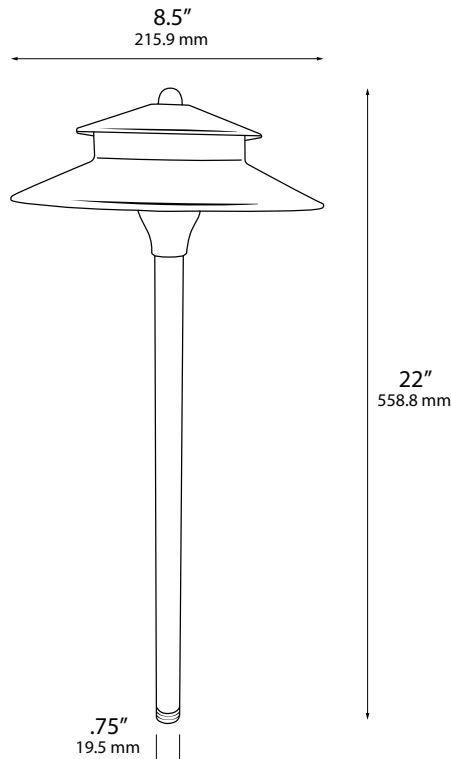
Ten years.



The Hemingway path light features an 8.5" diameter cast brass hat. Its underside is a powder-coated reflective white surface. 3W integrated LED with a 2700K or 3000K color temperature.

DIMENSIONS:

.63 VA at 2700K, 3.57 VA at 3000K.





FIXTURE ORDERING INFORMATION

To order a fixture with mounting options, select the appropriate choice from each column as in the following example:

EXAMPLE: 489916-2700K-MS

FIXTURE	MOUNTING
489916-2700K 489916-3000K	<p>MS Composite stake (incl.) 490034</p> <p>M3 Trident Heavy-Duty 3-Prong Stake 490036</p> <p>PM Round pier mount 490057</p> <p>MR Round tapered 3-hole surface mount 490048</p> <p>MP PVC/Brass post stake 490037</p>