

Type:

Model:

## BODACIOUS Integrated LED Uplight

### SPECIFICATIONS

**VOLTAGE:**  
12V AC/DC

**HOUSING:**  
Cast brass with removable 3" shroud. Optional 6" shroud available.

**FINISH:**  
Weathered brass. Custom powder coated colors available.

**LENS:**  
Tempered glass.

**MOUNTING:**  
Threaded with 1/2" NPT. May be mounted into threaded hubs in junction boxes or mounting accessories. Heavy-duty composite stake included.

**WIRING:**  
Pre-wired with a five-foot pigtail of 18/2 cable.

**WARRANTY:**  
10-year warranty

Opt. 6" extended shroud  
3W & 6W  
#490260

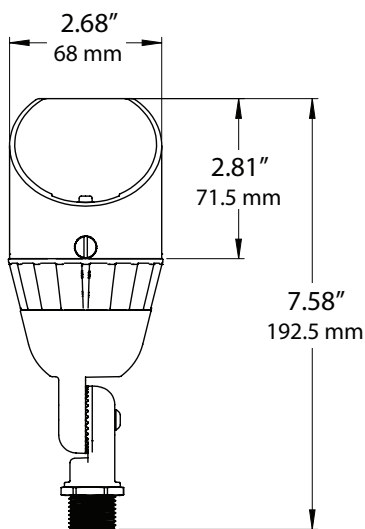


Opt. 6" extended shroud  
8W, 12W & 16W  
#490261

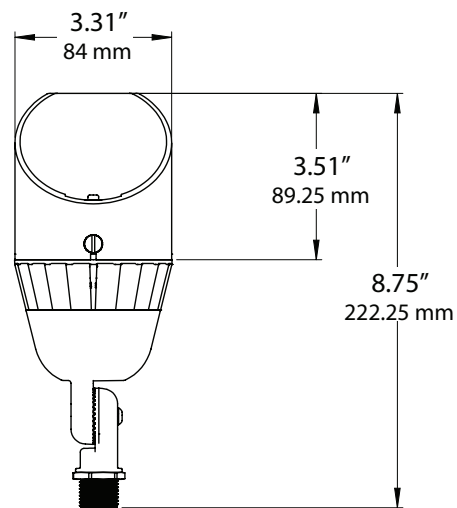
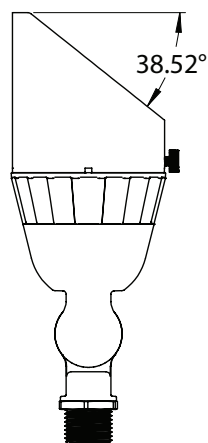


The Bodacious uplight features an integrated LED source available in 3, 8, 6, 12 or 16 watts. 2700K, 3000K and 5000K options. 30-, 45-, 65- and 100-degree beam spreads.

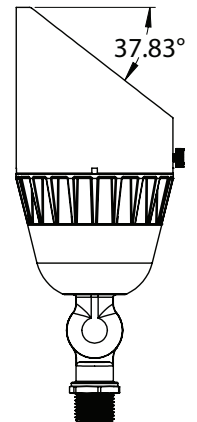
### DIMENSIONS:



3W/6W



8W/12W/16W



LED LAMP SPECIFICATIONS

**LAMP TYPE:**

Integrated LED.

**OPTICS:**

Integral optics providing available beam spread of 30°, 45°, 65° and 100°

**COLOR TEMPERATURES:**

Color temperature options provide the following qualities:  
2700K, 3000K and 5000K.



**FIXTURE ORDERING INFORMATION**

To order a fixture with mounting options, select the appropriate choice from each column as in the following example:

EXAMPLE: 490020-490261-490039-PM

CODES	WATTAGE	VOLT AMPS	BEAM SPREAD	COLOR TEMP	LUMENS	EFFICACY	CRI	SHROUD	RISERS	MOUNTING
490200	3W	4.83VA	30°	2700K	291lm	88lm/W	70	490260	490038	<b>MS</b> Heavy-duty slotted mounting stake (incl.) 490034
490201	3W	5.04VA	45°	2700K	275lm	78lm/W	70	Extended	2" brass riser	
490202	3W	4.86VA	65°	2700K	246lm	72lm/W	70	Shroud	490039	<b>EX</b> Excalibur Post Stake 490037
490203	3W	5.12VA	100°	2700K	217lm	61lm/W	70	3W/6W	3" brass riser	<b>TR</b> Trident HD 3-Prong Stake 490036
490204	3W	5.15VA	30°	3000K	306lm	94lm/W	70	490261		<b>PM</b> Pier Mount 490057
490205	3W	5.03VA	45°	3000K	278lm	85lm/W	70	Extended	490031	<b>TSM</b> Tapered Surface Mount 490048
490206	3W	5.01VA	65°	3000K	255lm	79lm/W	70	Shroud	6" brass riser	
490207	3W	5.08VA	100°	3000K	248lm	69lm/W	70	8W/12W/16W	490032	<b>EM</b> Round Electrical Mounting Plate 490043
490208	6W	10.05VA	30°	2700K	389lm	77lm/W	70		12" brass riser	
490209	6W	9.77VA	45°	2700K	426lm	66lm/W	70		490033	<b>RMP</b> Rectangular Electrical Mounting Plate 490044
490210	6W	9.89VA	65°	2700K	357lm	63lm/W	70		24" brass riser	
490211	6W	9.98VA	100°	2700K	332lm	55lm/W	70			

CONTINUED FROM PREVIOUS PAGE

CODES	WATTAGE	VOLT AMPS	BEAM SPREAD	COLOR TEMP	LUMENS	EFFICACY	CRI	SHROUD	RISERS	MOUNTING
490212	6W	10.04VA	30°	3000K	380lm	73lm/W	70	490260	490038	<b>MS</b> Heavy-duty slotted mounting stake (incl.) 490034
490213	6W	9.99VA	45°	3000K	455lm	69lm/W	70	Extended Shroud	2" brass riser	
490214	6W	9.78VA	65°	3000K	397lm	60lm/W	70	3W/6W	490039	<b>EX</b> Excalibur Post Stake 490037
490215	6W	9.96VA	100°	3000K	357lm	55lm/W	70		3" brass riser	
490216	8W	10.30VA	30°	2700K	862lm	101lm/W	70	490261		<b>TR</b> Trident HD 3-Prong Stake 490036
490217	8W	10.29VA	45°	2700K	796lm	94lm/W	70	Extended Shroud	490031	
490218	8W	10.28VA	65°	2700K	608lm	72lm/W	70	8W/12W/16W	6" brass riser	<b>PM</b> Pier Mount 490057
490219	8W	10.26VA	100°	2700K	515lm	61lm/W	70		490032	
490220	8W	10.14VA	30°	3000K	823lm	98lm/W	70		12" brass riser	<b>TSM</b> Tapered Surface Mount 490048
490221	8W	10.13VA	45°	3000K	777lm	93lm/W	70		490033	
490222	8W	10.10VA	65°	3000K	592lm	71lm/W	70		24" brass riser	<b>EM</b> Round Electrical Mounting Plate 490043
490223	8W	10.10VA	100°	3000K	504lm	61lm/W	70			
490224	8W	10.53VA	65°	5000K	734lm	84lm/W	70			<b>RMP</b> Rectangular Electrical Mounting Plate 490044
490225	8W	10.54VA	100°	5000K	600lm	69lm/W	70			
490230	12W	17.23VA	30°	3000K	1198lm	85lm/W	70			
490231	12W	17.51VA	45°	3000K	1127lm	77lm/W	70			
490232	12W	17.62VA	65°	3000K	889lm	65lm/W	70			
490233	12W	17.34VA	100°	3000K	730lm	53lm/W	70			
490234	12W	17.65VA	65°	5000K	973lm	73lm/W	70			
490235	12W	17.90VA	100°	5000K	788lm	59lm/W	70			
490240	16W	22.18VA	30°	3000K	1431lm	75lm/W	70			
490241	16W	22.91VA	45°	3000K	1357lm	71lm/W	70			
490242	16W	22.38VA	65°	3000K	1074lm	58lm/W	70			
490243	16W	23.96VA	100°	3000K	886lm	45lm/W	70			
490244	16W	23.21VA	65°	5000K	1231lm	65lm/W	70			
490245	16W	23.28VA	100°	5000K	967lm	51lm/W	70			