

Type:

Model:

HARVEST MOON Integrated LED Downlight
5700K | Mercury Vapor Effect

SPECIFICATIONS

HOUSING:

Cast brass with removable shroud.

FINISH:

Weathered brass. Custom powder coated colors available.

LENS:

Tempered glass.

INTEGRATED LED:

LED array. 12V. 12W and 16W. 5700K color temperature
Mercury Vapor effect.

MOUNTING:

Threaded with 1/2" NPT. May be mounted into threaded hubs
in junction boxes or other mounting accessories available.

WIRING:

Pre-wired with a five-foot pigtail of 18/2 cable.

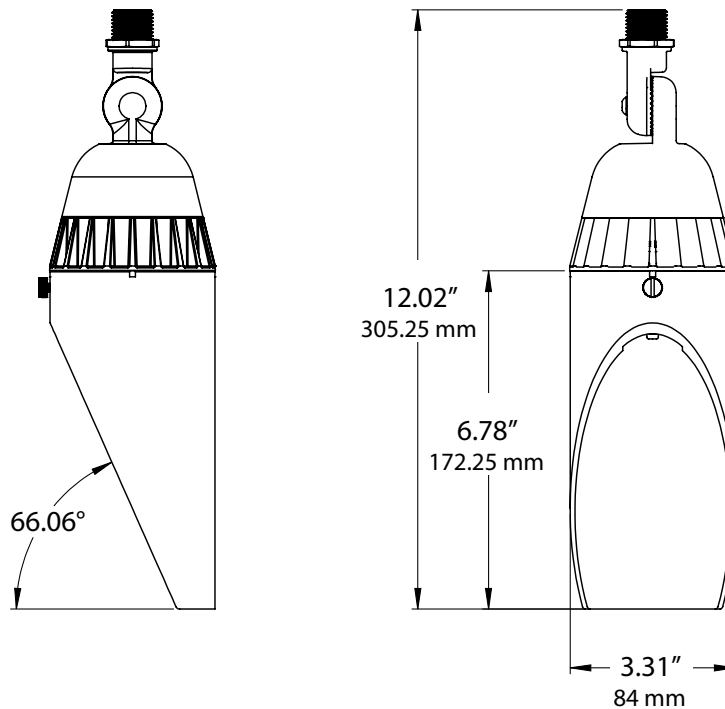
WARRANTY:

10-year warranty



The Harvest Moon downlight features an integrated LED source available in 12 and 16 watts. 5700K. 100-degree beam spread.

DIMENSIONS:



LED LAMP SPECIFICATIONS

LAMP TYPE:
Integrated LED.

OPTICS:
Integral optics providing a 100° beam spread.

COLOR TEMPERATURES:
Color temperature options provide the following qualities: 5700K.



FIXTURE ORDERING INFORMATION

To order a fixture with mounting options, select the appropriate choice from each column as in the following example:

EXAMPLE: 490268-TH24

ORDER NO.	WATTAGE	VOLT AMPS	BEAM SPREAD	COLOR TEMP	LUMENS	EFFICACY	MOUNTING
490268	12W	14.68 VA	100°	5700K Mercury Vapor effect	1061	88 lm/W	MY Y-Bracket Surface Mount - 490045 TH9 Tree Hugger Strap Kit 9"- Max 14" - 490330 TH15 Tree Hugger Strap Kit 15"- Max 22.5" - 490331 TH24 Tree Hugger Strap Kit 24"- Max 31.5" - 490332 TH36 Tree Hugger Strap Kit 36"- Max 46.5" - 490333 TH48 Tree Hugger Strap Kit 48"- Max 61.5" - 490334 N Newhouse Brass Tree Mount J-Box - 490060 EM Round Electrical Mounting Plate 490043 MSM Brass Micro Surface Mount 490049 RMP Rectangular Electrical Mounting Plate 490044
490269	16W	18.41 VA	100°		1204	75 lm/W	