

Type:

Model:

## CRESCENT LED Wildlife Safe Bi-Pin Deck Light

**ORDERING CODE:**

490075

**SPECIFICATIONS**

**HOUSING:**

Cast brass.

**FINISH:**

Weathered brass. Custom powder coated colors available.

**SOCKET/LAMP HOLDER:**

One fixed ceramic bi-pin socket accepts bi-pin lamps with G4 or GY6.35 base.

**LENS:**

Frosted flat tempered glass.

**LAMP TYPE:**

12V bi-pin. LED recommended. 30W halogen or 6W LED maximum.

**MOUNTING:**

Base plate.

**WIRING:**

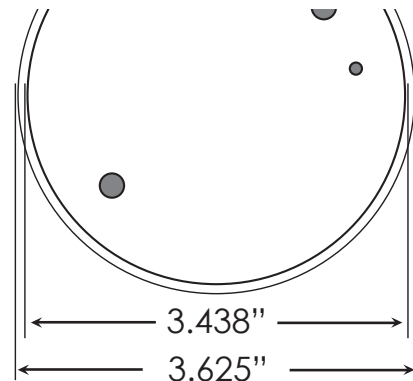
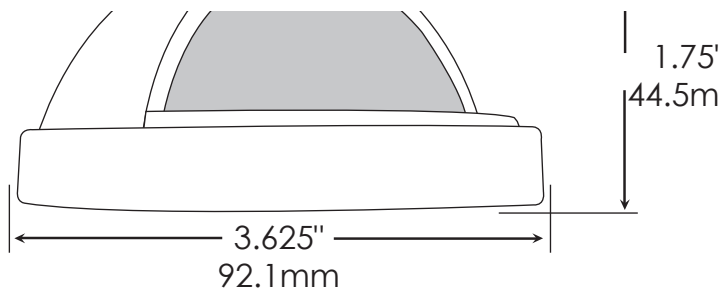
Pre-wired with 5' pigtail of 18/2 cable.

**WARRANTY:**

Lifetime.



**DIMENSIONS:**



LED LAMP SPECIFICATIONS

**LAMP TYPE:**

Dauer encapsulated bi-pin with 5-year warranty.

**COLOR TEMPERATURES:**

Wildlife-approved amber.

*These fixtures are only deemed wildlife approved if they utilize a wildlife-approved amber bulb as per the chart below.*

**FIXTURE ORDERING INFORMATION**

To order a lamped fixture with mounting options, select the appropriate choice from each column as in the following example:

EXAMPLE: 490075-487123-WL

FIXTURE	LAMP				
	ORDER NO.	COLOR	DESCRIPTION	WATTAGE	NANOMETER RANGE
490075	487123-WL	Amber-WL	Encap. Bi-pin G4	4W	585-595

