

Type:

Model:

DUNES Marker Light with Shroud

ORDERING CODE:

489881

SPECIFICATIONS

HOUSING:

304 grade stainless steel.

FINISH:

Polished stainless steel.

Custom powder-coated colors available.

LENS:

Flat tempered glass lens with shrouded top.

INTEGRATED LED:

1W. 12V. 28 lumens. 1.64 VA.

3000K color temperature.

MOUNTING:

Installs in-grade. PVC sleeve sold separately.

Offered in 12" and 6".

WIRING:

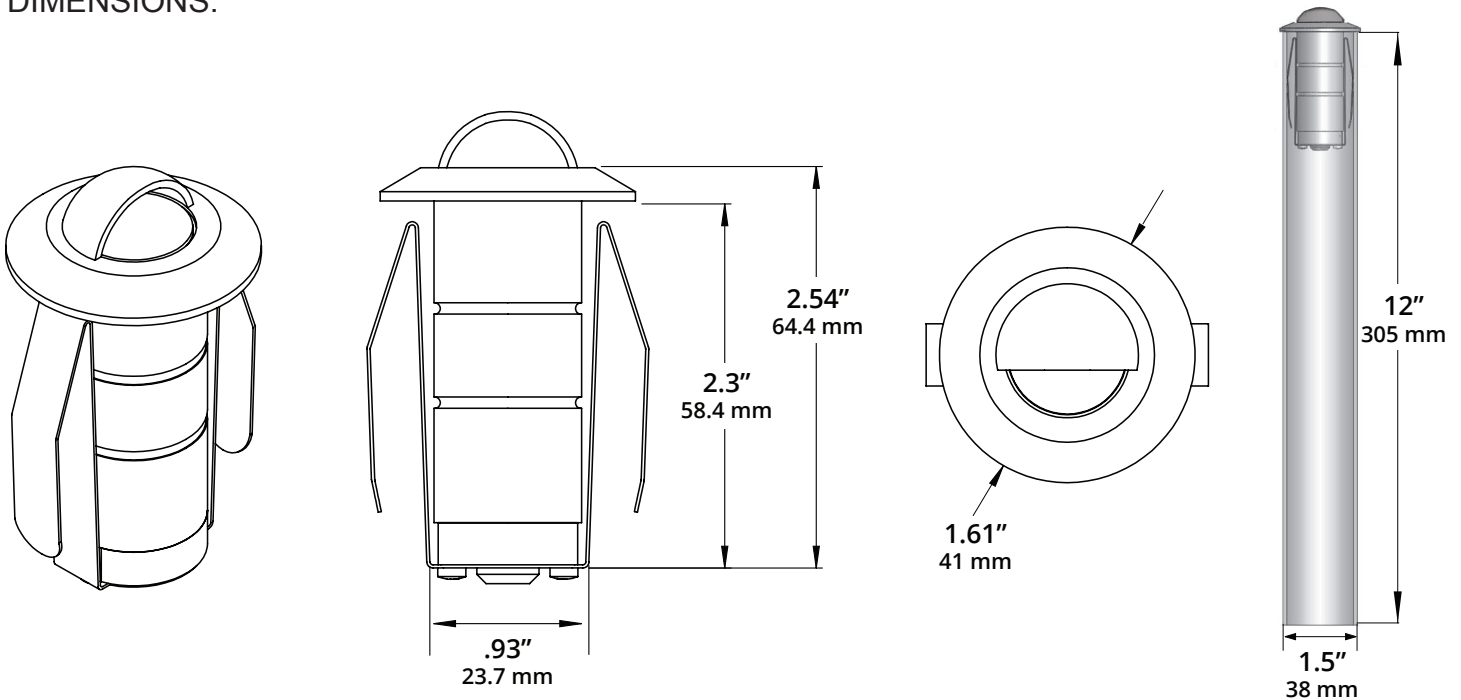
Pre-wired with 5' pigtail of 18/2 cable.

WARRANTY:

Ten years.



DIMENSIONS:



*PVC sold separately.
Available in 12" and 6" heights.*