

Type:

Model:

## DUNES Marker Light with Shroud

**ORDERING CODE:**

489881

**SPECIFICATIONS**

**HOUSING:**

304 grade stainless steel.

**FINISH:**

Polished stainless steel.

Custom powder-coated colors available.

**LENS:**

Flat tempered glass lens with shrouded top.

**INTEGRATED LED:**

1W. 12V. 28 lumens. 1.64 VA at 3000K. 80 CRI.

**MOUNTING:**

Installs in-grade. PVC sleeve sold separately.

Offered in 12" and 6" heights.

**WIRING:**

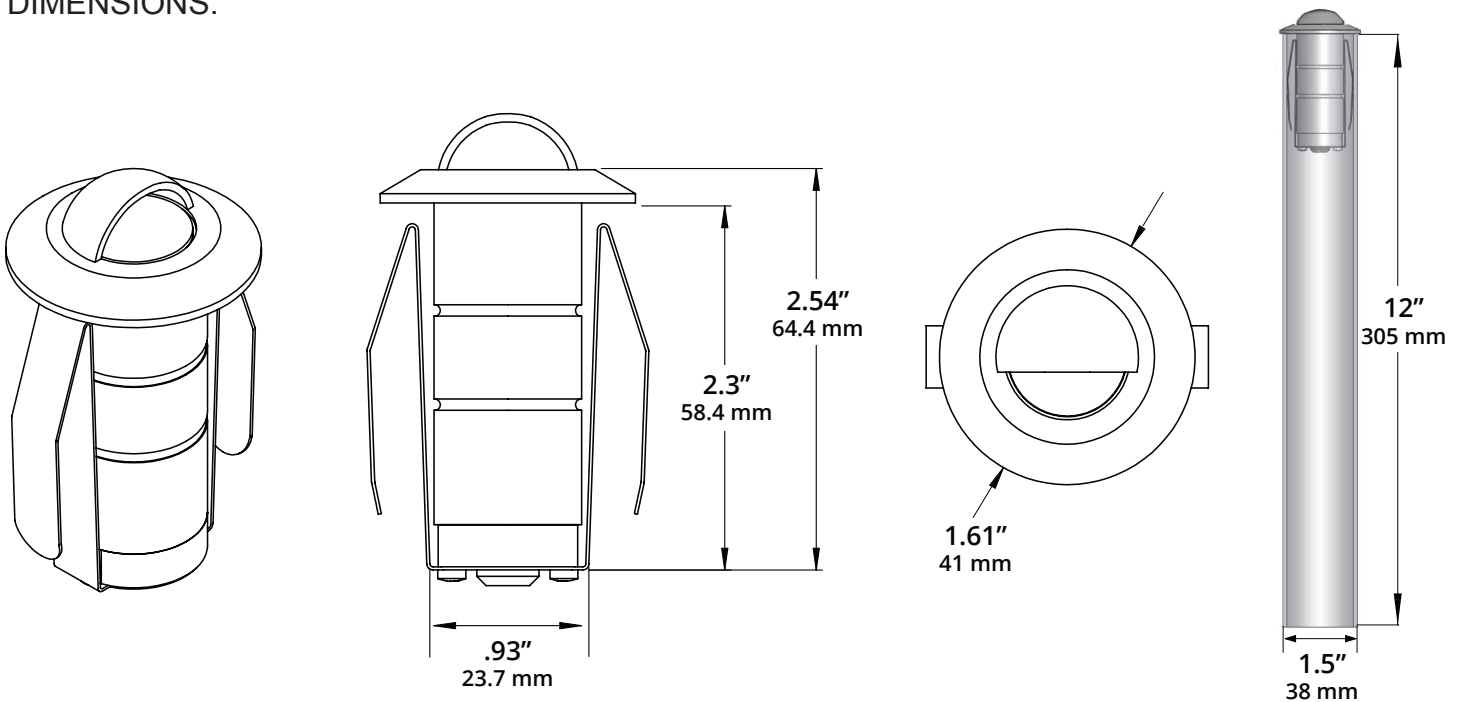
Pre-wired with 5' pigtail of 18/2 cable.

**WARRANTY:**

Ten years.



### DIMENSIONS:



*PVC sold separately.  
Available in 12" and 6" heights.*