

Type:

Model:

**WYNN Marker Light with Rock Guard**

**ORDERING CODE:**

489882

**SPECIFICATIONS**

**HOUSING:**

304 grade stainless steel.

**FINISH:**

Polished stainless steel.  
Custom powder-coated colors available.

**LENS:**

Flat tempered glass lens.

**INTEGRATED LED:**

1W. 12V. 27 lumens. 1.63 VA.  
3000K color temperature.

**MOUNTING:**

Installs in-grade. PVC sleeve sold separately.  
Offered in 12" and 6".

**WIRING:**

Pre-wired with 5' pigtail of 18/2 cable.

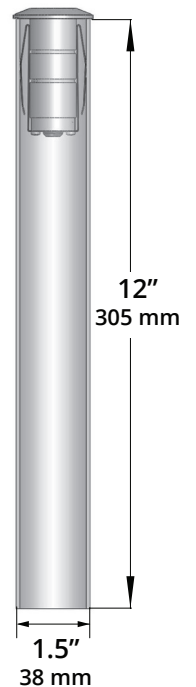
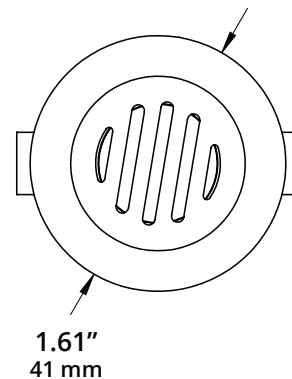
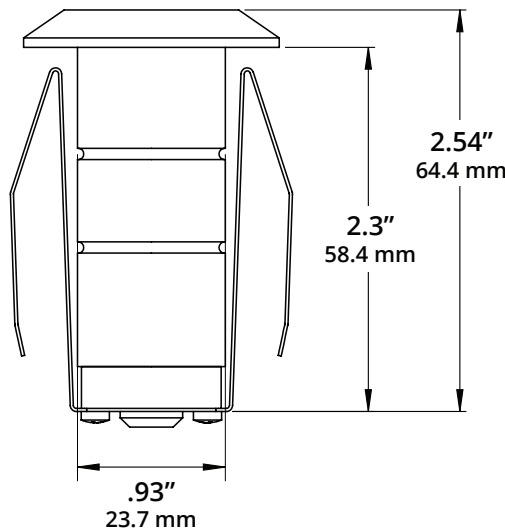
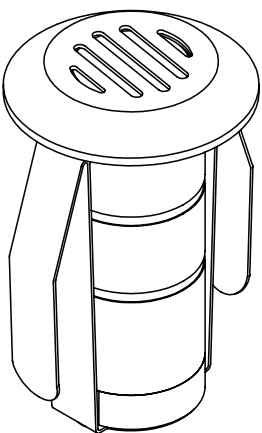
**WARRANTY:**

Ten years.



Driver-over rated at 4,400 lbs.

**DIMENSIONS:**



*PVC sold separately.  
Available in 12" and 6" heights.*