

Type:

Model:

BELMONT BRASS INTEGRATED Path Light

SPECIFICATIONS

HOUSING:

Cast brass. Adjustable shrouds with tension screws.

FINISH:

Weathered brass. Custom powder coated colors available.

INTEGRATED LED:

3.5W, 2700K or 3000K color temperatures.

LENS:

Clear tempered glass.

MOUNTING:

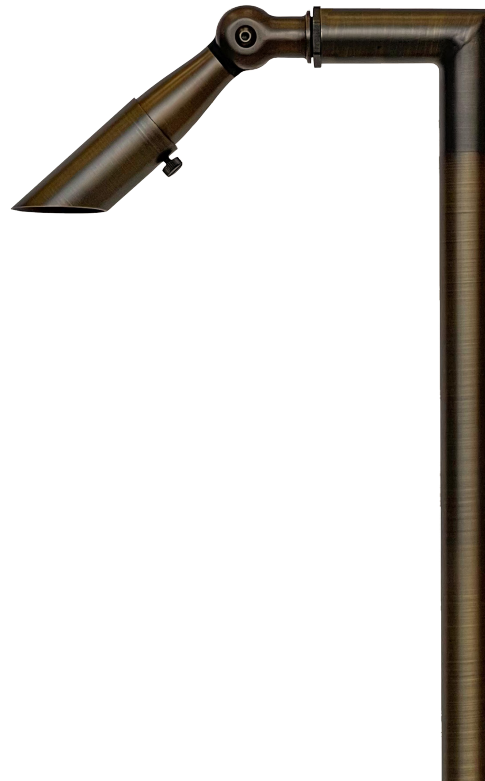
Stem threaded with 1/2" NPT. Heavy-duty composite stake included. May be mounted into threaded hubs in junction boxes or mounting accessories.

WIRING:

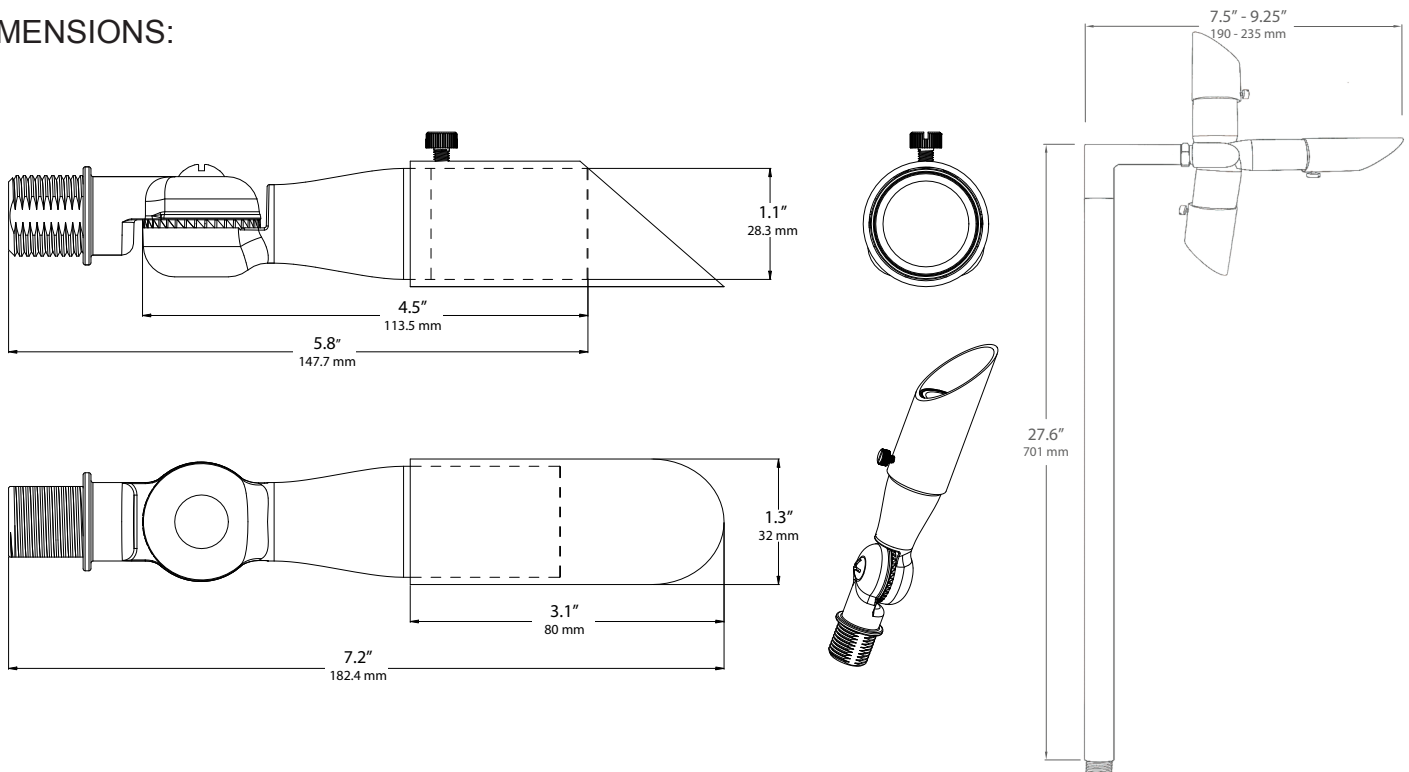
Pre-wired with 5' pigtail of 18/2 cable.

WARRANTY:

10 years.



DIMENSIONS:

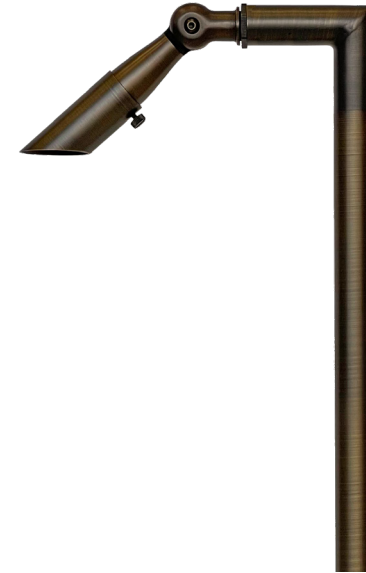


LED LAMP SPECIFICATIONS

LAMP TYPE:
Integrated LED.

OPTICS:
Integral optics providing available beam spreads of 25°, 40°, 60° and 100°.

COLOR TEMPERATURES:
Color temperature options provide the following qualities: 2700K and 3000K.



FIXTURE ORDERING INFORMATION

To order a lamped fixture with mounting options, select the appropriate choice from each column as in the following example:

EXAMPLE: 489918-24-2725-3.5W-25°-2700K-M3

FIXTURE	LAMP						MOUNTING
	WATTAGE	VOLT AMPS	BEAM SPREAD	COLOR TEMP.	LUMENS	EFFICACY	
489918-24-2725	3.5W	4.52	25°	2700K	339 lm	97 lm/W	MS Composite stake (incl.) 490034 M3 Trident Heavy-Duty 3-Prong Stake 490036 PM Round pier mount 490057 MR Round tapered 3-hole surface mount 490048 MP PVC/Brass post stake 490037
489918-24-2740		4.52	40°	2700K	316 lm	90 lm/W	
489918-24-2760		4.52	60°	2700K	323 lm	92 lm/W	
489918-24-27100		4.52	100°	2700K	275 lm	78 lm/W	
489918-24-2710		4.49	25°	3000K	343 lm	98 lm/W	
489918-24-3040		4.49	40°	3000K	343 lm	98 lm/W	
489918-24-3060		4.49	60°	3000K	351 lm	100 lm/W	
489918-24-30100		4.49	100°	3000K	296 lm	84 lm/W	