

Type:

Model:

DRAKE BRASS INTEGRATED Path Light

SPECIFICATIONS

HOUSING:

Cast brass. Adjustable shrouds with tension screws.

FINISH:

Weathered brass. Custom powder coated colors available.

INTEGRATED LED:

3.5W per head, 7W total. 2700K or 3000K color temperatures.

LENS:

Clear tempered glass.

MOUNTING:

Stem threaded with 1/2" NPT. Heavy-duty composite stake included. May be mounted into threaded hubs in junction boxes or mounting accessories.

WIRING:

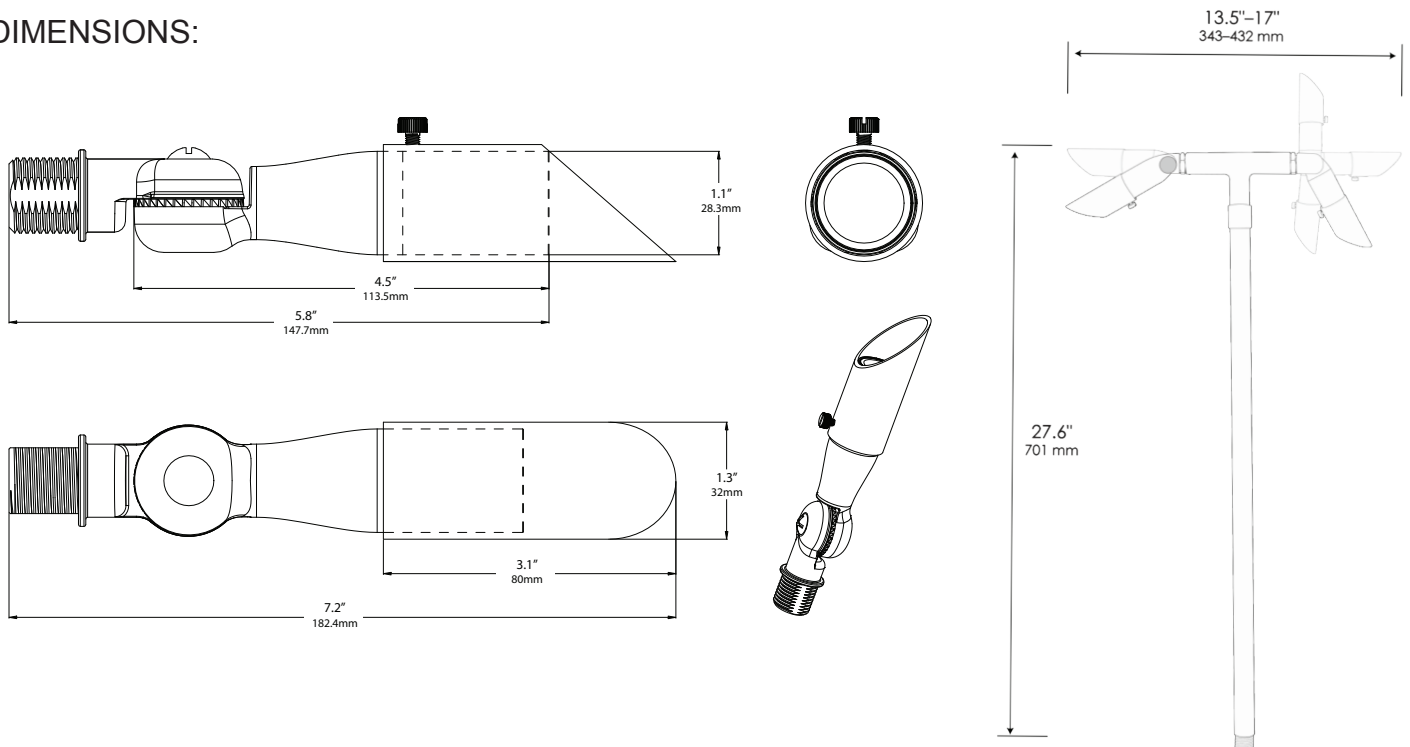
Pre-wired with 5' pigtail of 18/2 cable.

WARRANTY:

10 years.



DIMENSIONS:

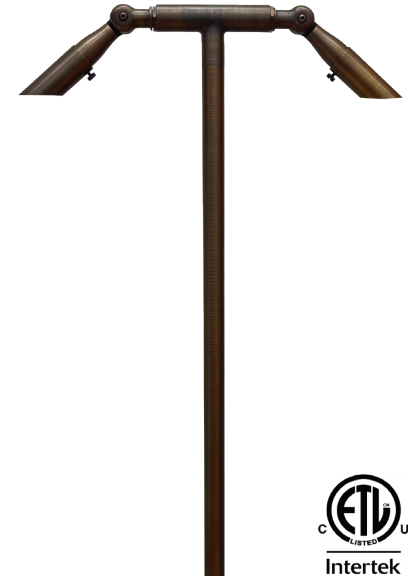


LED LAMP SPECIFICATIONS

LAMP TYPE:
Integrated LED.

OPTICS:
Integral optics providing available beam spreads of 25°, 40°, 60° and 100°.

COLOR TEMPERATURES:
Color temperature options provide the following qualities: 2700K and 3000K.



FIXTURE ORDERING INFORMATION

To order a lamped fixture with mounting options, select the appropriate choice from each column as in the following example:

489919-24-2725-7W-25°-2700K-M3

FIXTURE	LAMP						MOUNTING
	WATTAGE	VOLT AMPS	BEAM SPREAD	COLOR TEMP.	LUMENS	EFFICACY	
489919-24-2725	3.5W (per head), 7W total	4.52 (per head)	25°	2700K	339 lm/head	194 lm/W	MS Composite stake (incl.) 490034 M3 Trident Heavy-Duty 3-Prong Stake 490036 PM Round pier mount 490057 MR Round tapered 3-hole surface mount 490048 MP PVC/Brass post stake 490037
489919-24-2740		4.52 (per head)	40°	2700K	316 lm/head	180 lm/W	
489919-24-2760		4.52 (per head)	60°	2700K	323 lm/head	184 lm/W	
489919-24-27100		4.52 (per head)	100°	2700K	275 lm/head	156 lm/W	
489919-24-3025		4.49 (per head)	25°	3000K	343 lm/head	196 lm/W	
489919-24-3040		4.49 (per head)	40°	3000K	343 lm/head	196 lm/W	
489919-24-3060		4.49 (per head)	60°	3000K	351 lm/head	200 lm/W	
489919-24-30100		4.49 (per head)	100°	3000K	296 lm/head	168 lm/W	