

Type:

Model:

MAUI Integrated Wall Sconce

SPECIFICATIONS

HOUSING:

Copper.

FINISH:

Polished or oxidized copper. Custom powder-coated colors available upon request.

INTEGRATED LED:

12V integrated LED. Two chips, 3W each.

LENS:

Clear tempered.

OPTICS:

60° Beam Spread

MOUNTING:

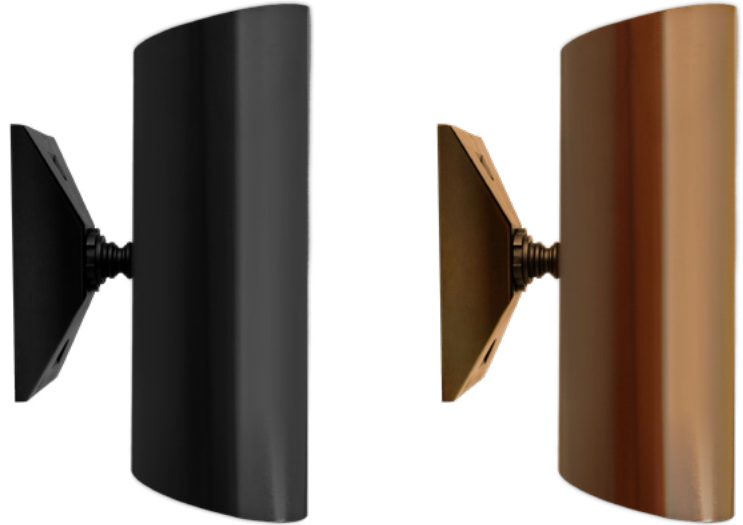
Surface mount.

WIRING:

Pre-wired with 25' pigtail of 18/2 cable.

WARRANTY:

Ten years.

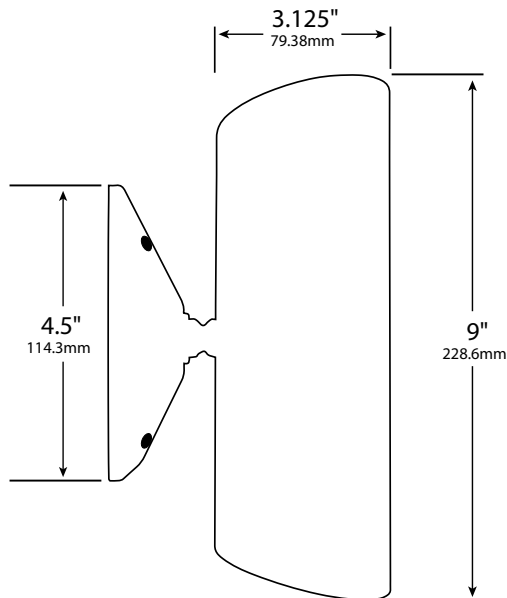


oxidized copper

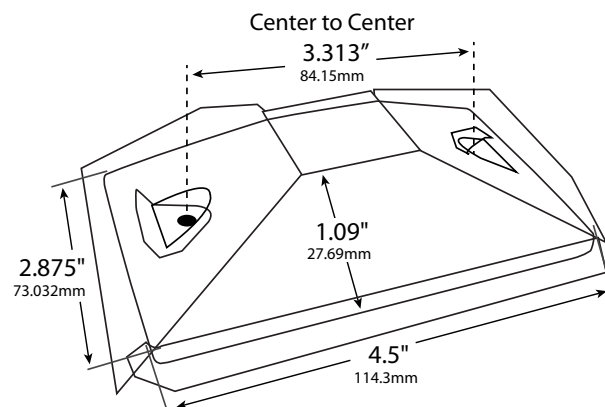
polished copper

DIMENSIONS:

Sconce
with Mounting Plate



Mounting Plate



LED LAMP SPECIFICATIONS

LIGHT SOURCE:

12V integrated LED. Two chips, 3W each.

OPTICS:

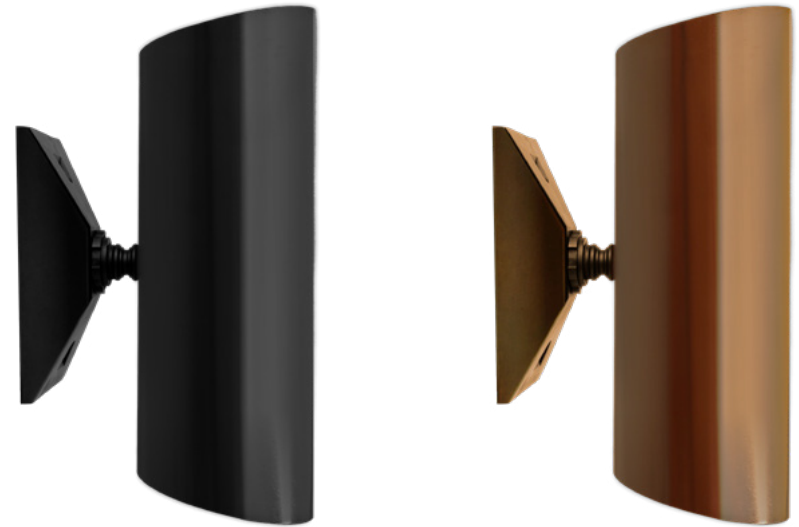
60° beam spread.

COLOR TEMPERATURES:

Color temperature options provide the following qualities: 2700K or 3000K.

OPTIONAL:

Two 12V Dauer MR16 lamp with 5-year warranty. Integral optics providing available beam spreads from 15°- 120°.



oxidized copper

polished copper

CODE	ITEM DESCRIPTION	WATTS	BEAM SPREAD	LUMENS
489860	MAUI POLISHED 12V 2700K	6W	60°	560 (280 X 2)
489861	MAUI POLISHED 12V 3000K	6W	60°	600 (300 X 2)
489862	MAUI OXIDIZED 12V 2700K	6W	60°	560 (280 X 2)
489863	MAUI OXIDIZED 12V 3000K	6W	60°	600 (300 X 2)