

Type:

Model:

**BOWIE Marker Light with Rock Guard**

**ORDERING CODE:**

489873-2700K  
489873-3000K

**SPECIFICATIONS**

**HOUSING:**

Cast brass.

**FINISH:**

Weathered brass.  
Custom powder-coated colors available.

**LENS:**

Flat tempered glass lens.

**INTEGRATED LED:**

1W. 12V. 27 lumens. 1.63 VA at 3000K. 80 CRI.

**MOUNTING:**

Installs in-grade. 1-9/16" opening needed to insert PVC sleeve.  
PVC sleeve sold separately. Available in 12" (489889-12) and 6" (489889-6) heights.

**WIRING:**

Pre-wired with 5' pigtail of 18/2 cable.

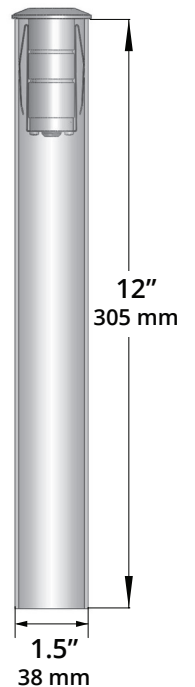
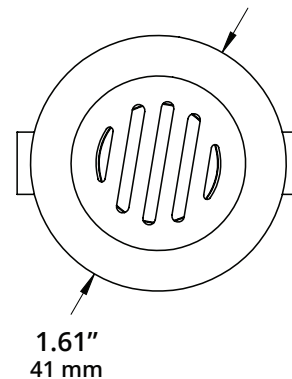
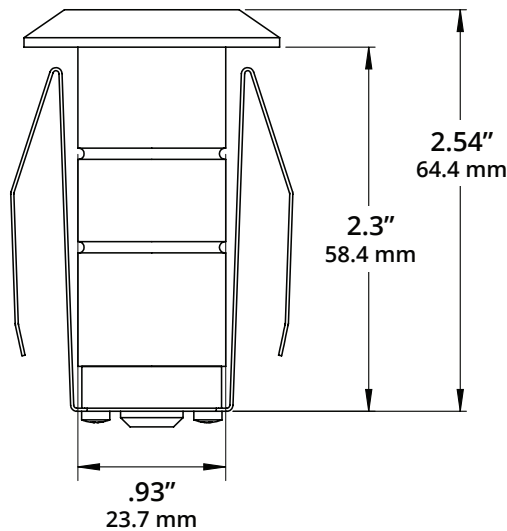
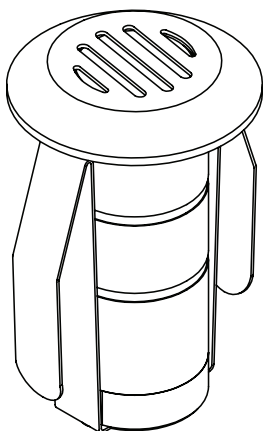
**WARRANTY:**

Ten years.



Driver-over rated at 4,400 lbs.

**DIMENSIONS:**



PVC sold separately.  
Available in 12" and 6" heights.